

**Orientalmotor**

New 0.72° Stepper Motor and Driver Packages

# **RKII Series**

 Built-in Controller (Stored Data) Type

Pulse Input Type

# **BEST**

PERFORMANCE & PRICE



Introducing a re-invented, affordable and high performance Stepper Motor and Driver Package.

# BEST

PERFORMANCE & PRICE





# SAVE

## PRICE & ENERGY

- Compact size, low price..... Page 4
- Reduce power consumption and operating cost..... Page 5



# EASY

## CONNECTION & SYSTEM

- Easy wiring..... Page 6
- Easy selection..... Page 6
- 2 driver types available..... Page 7

# HIGH

## PERFORMANCE & RELIABILITY

- High accuracy..... Page 10
- Multiple step angle selections..... Page 11
- Various kinds of protective functions (Alarm)..... Page 11

New 0.72° Stepper Motor and Driver Packages

## RKII Series

# SAVE

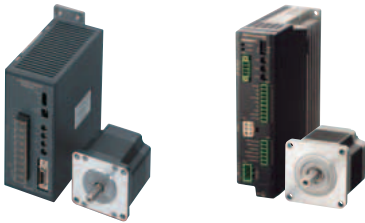
PRICE & ENERGY

Reduction of total cost.

## Price

High-efficiency with Low Price

The **RKII** Series offers significant improvements in motor performance, driver operation and functions compared to conventional products and is available at a new lower price.



Conventional Model:

**RK Series**

□60 mm (2.36 in.)  
Standard Type

**\$612.00**

**RKII Series**

Pulse Input Type

□60 mm (2.36 in.)  
Standard Type

**\$506.00**

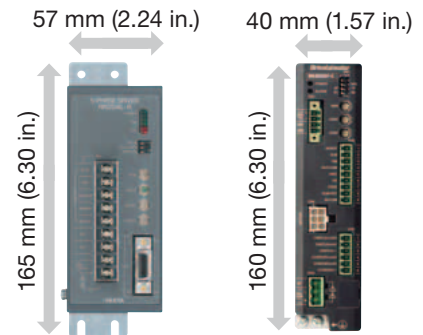
## Space Saving

Slim and Compact

This new driver was created by re-arranging the internal components and optimizing the usage of the space within the driver. The result, drivers can be installed side by side, reducing a significant amount of space.

●When drivers are installed in contact with each other, the allowable ambient temperature range is 0 to 40°C (+32~+104°F).

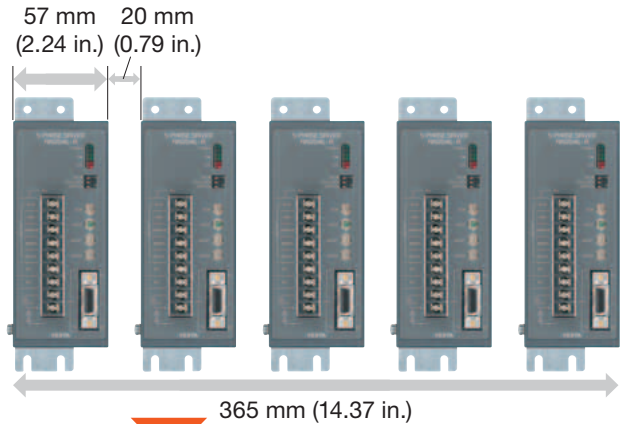
New slim & compact driver



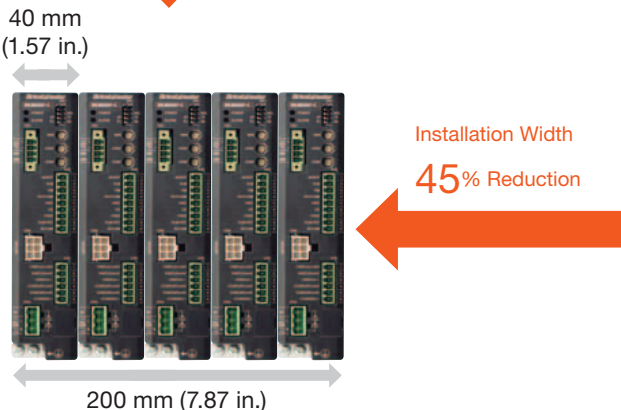
Conventional Model  
**RK Series**  
Driver

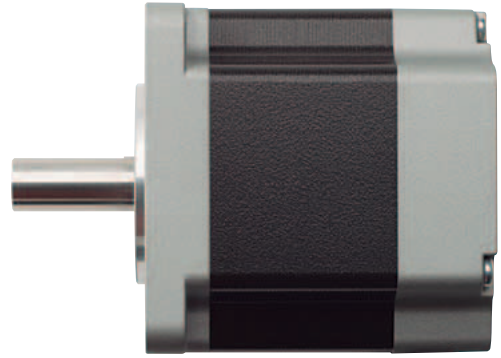
**RKII Series**  
Driver

Conventional Model:  
**RK Series**  
Drivers



**RKII Series**  
Drivers





# High Efficiency

Reduces power consumption by up to 47%

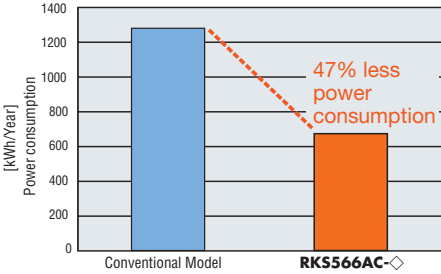
By optimizing the motor material, up to 47% of the power consumption has been reduced. This results in the reduced consumption of electricity and CO<sub>2</sub> emission.

# Lower Heat Generation

Continuous Operation is Achieved

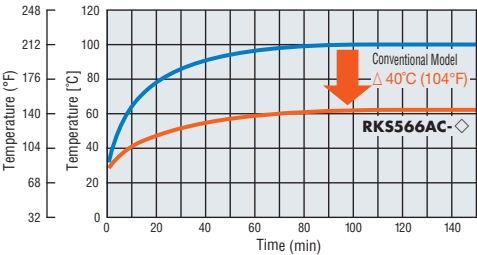
By utilizing high-efficiency technology to reduce the motor heat, continuous operation is achieved. In addition, reduction of heat output means less reliance on cooling fans and heat sinks.

### ● Power Consumption Comparison



Operating Condition  
 · Spin Speed: 1000 r/min  
 · Load torque: 0.47 N·m (66.6 oz·in)  
 · Operating time: 24 hours (Operation 70%, Stand-by 25%, Off 5%)  
 365 days/year

### ● Motor Surface Temperature Comparison under the Same Conditions

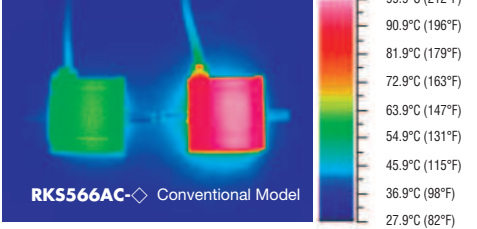


### ● Power Consumption Comparison

Items	Conventional Model	RK566AC-◇	Comparison	
Power consumption during operation [W]	204	106	98 W	Reduced by 48%
Power consumption during stand-by [W]	14	13	1 W	Reduced by 7%
Power consumption [kWh/year]	1281	678	603 kWh/year	Reduced by 47%
CO <sub>2</sub> emission equivalent to power consumption* [kg/year]	533	282	251 kg/year	Reduced by 47%

\*: Conversion rate: 0.416 kg/kWh

### ● Distribution by thermography



# EASY

Easy to wire, easy to select.

## CONNECTION & SYSTEM

### Wiring

#### Easy Wiring

The new I/O connector does not require a screw and also eliminates the need for soldering or a special crimping tool. The motor connector can be connected easily by using a dedicated cable. This will reduce wiring time, maintenance and prevent mis-wiring.

- **Motor Connector Wiring**

- No screw tightening

- Wiring time reduction
- Reduce problems caused by mis-wiring

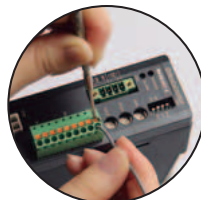
- **I/O Connector Wiring**

- No soldering
- No crimping tools

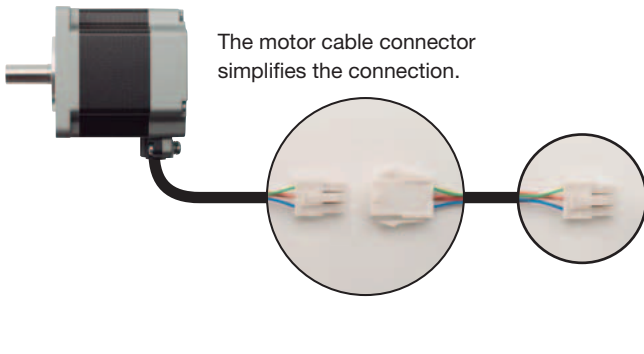
- Wiring time reduction



I/O Signal Connectors



Just insert a lead wire while pressing down the orange button with a screwdriver or pointed object.



The motor cable connector simplifies the connection.

### Selection

#### Easy Selection

- **Free Motor Selection Service for Customers:**

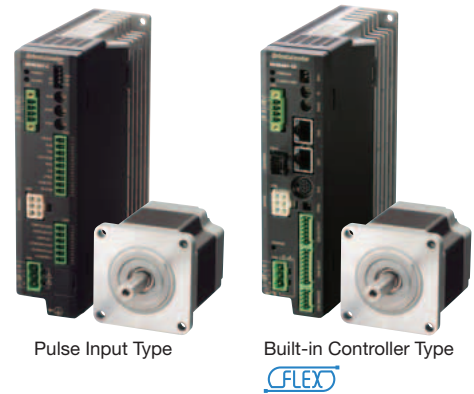
Send us a motor selection inquiry via our website, fax or e-mail.

- **Free Online Motor Sizing Tool Available at [www.orientalmotor.com](http://www.orientalmotor.com)**

Our free online sizing tool is designed to make sizing a motor for your application fast and easier.



2 driver types available.

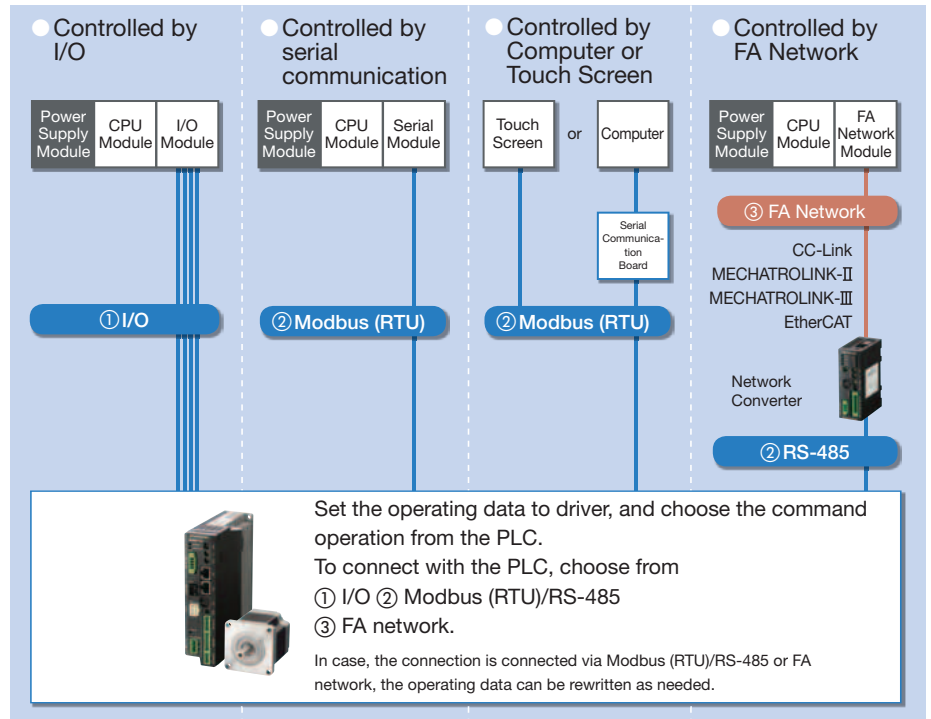


# Driver

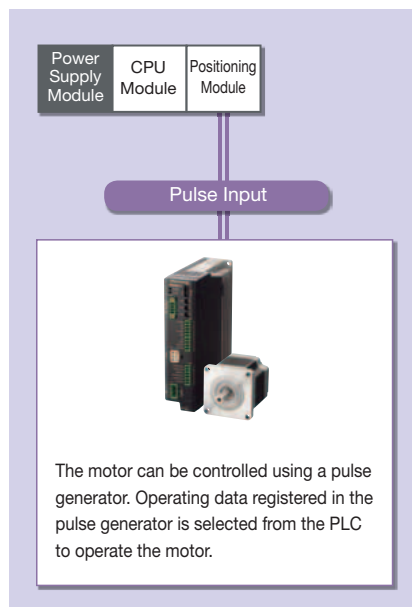
Pulse Input Type  
Built-in Controller Type

Select the control method in accordance with your operating system.

## Built-in Controller (Stored Data) Type



### Pulse Input Type



### • How to connect (Example: Refer to P. 8 and P. 9)

① I/O	② Modbus (RTU)/RS-485	③ FA Network
<p>The function of a built-in pulse generator lets you build an operation system by connecting directly to a PLC. Since no separate pulse generator is required, the drivers of this type saves space and simplifies systems.</p>	<p>Through RS-485 communication, you can set operating data and parameters and input operation commands. A maximum of 31 drivers can be connected to one serial module. There is also a function for simultaneously starting multiple axes. The module supports the Modbus (RTU) protocol, which makes it easy to connect a PLC or similar device to the driver.</p>	<p>By using a Network Converter (sold separately), CC-Link, MECHATROLINK or EtherCAT communication is possible. Over these links, operating data and parameters can be set, and operation commands can be sent to the driver.</p>

### • Programming the Driver

The burden on the programmable PLC is reduced because the information necessary for motor operations is built into the driver. This simplifies the system configuration for multi-axis control. Set the data easily with the control module (sold separately), data setting software or via RS-485 communication.

**Basic setting**  
(Factory setting)

Driver  
Motor  
Connection Cable

+

**Operation Data Settings**  
**Parameter Changes**

Control Module (OPX-2A) or Data Setting Software (MEXE02)

- Setting via RS-485 communication is possible.
- Data setting software can be downloaded from our website



# EASY

## Built-in Controller (Stored Data) Type

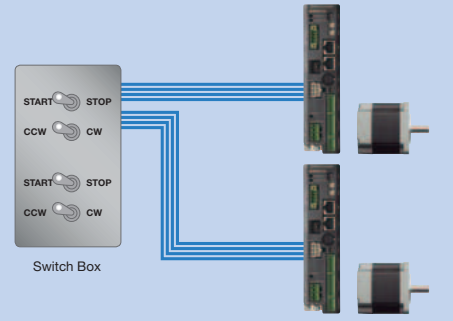
### CONNECTION & NETWORK

Example of connection and control with the Built-in Controller (Stored Data) Type [CFLEX](#).

## I/O Control

### Using a Switch Box

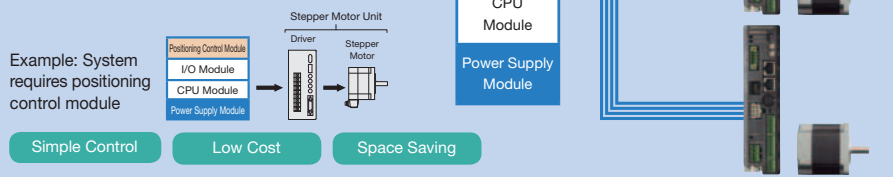
Since operating data is set in the driver, the motor can start and stop with hand switches. Easy control without the use of a PLC is possible.



- Simple Control
- Low Cost

### Using PLC (No positioning control module is required)

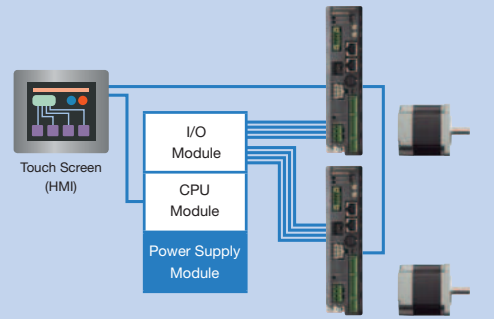
When using a PLC, you can built an operation system by connecting directly to an I/O Module. A positioning module is not necessary on the PLC side therefore space is saved and the system is simplified.



- Simple Control
- Low Cost
- Space Saving

### Using a PLC and a Touch Screen

The motor normally starts and stops via I/O, and Modbus (RTU) communication is used when setting the alarm and operating data. Setting changes as well as monitor and alarm displays are performed on the touch screen (HMI). If multiple configurations exist, parameters can be entered on the touch screen, reducing the burden of combining programs or sequences.



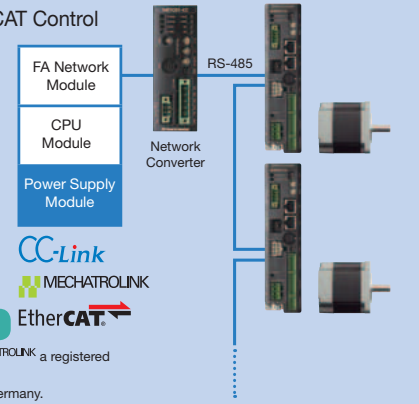
- Simple Control
- Suitable for one or more products

## Network Control

### CC-Link Control / MECHATROLINK Control / EtherCAT Control

CC-Link communication, MECHATROLINK communication and EtherCAT communication are available by using a network converter (sold separately). Operating data and parameters can be set and operation commands can be input using various communication methods. Also it shortens the design time.


- Multi-axis control with simple host.
- Can be connected with different types of network.
- Able to send information to a group of slaves at the same time.
- CC-Link: 12 axes max
- MECHATROLINK: 16 axes max
- EtherCAT: 16 axes max



- Simple Control
- Simple Wiring
- Multi-axis control, lower cost

● **CC-Link** is a registered trademark of CC-Link Partner Association. **MECHATROLINK** a registered trademark of MECHATROLINK Members Association.  
 ● **EtherCAT** is a registered trade mark licensed by Beckhoff Automation in Germany.



FLEX  is a generic name of the products which support Factory Automation network control via I/O control, Modbus (RTU) control and network converter.



# Modbus (RTU) Control

● Modbus is copyright of Schneider Automation Inc.

### Modbus (RTU) control via PLC

RS-485 communication can be used to set operating data, parameters and input operation commands. A maximum of 31 drivers can be connected to one serial module. There is also a group sending function for simultaneously starting multiple axes. The protocol supports Modbus (RTU), enabling connection with devices such as touch-screen panel computers and PCs.

Serial Module  
CPU Module  
Power Supply Module

Simple Control    Simple Wiring    Compatible with serial module of several manufactures

### Modbus (RTU) control via PC

Operating data, parameters and input operation commands can be input via RS-485 communication board into a PC. It also suitable for PC Facility Use.

PC    Serial Module

Simple Control    Simple Wiring    Motor Control by PC

### Simple Connection with a Touch Screen

Direct connection with a touch screen is available via Modbus (RTU) communication. Operating data, parameters, alarm record and trial operation can be controlled without a PLC.

Use touch screen instead of switch  
Touch Screen (HMI)

\* **Pro-face** (Digital Electronics Corporation) provides exclusive templates for Oriental Motor "Cockpit". For more detail, please refer to Digital Electronics Corporation's website.

Simple Control    Simple Wiring    System Simplification

Introduction of Features

### Group Sending Function

The group sending function simultaneously starts the multi-axes via Modbus (RTU) or FA network. Send operation command to the main driver, other drivers in the same group will start operation simultaneously

- Modbus (RTU): Simultaneous start, change in distance, velocity and monitoring.
- FA Network: Simultaneous start only

● Modbus (RTU) Communication

Serial Module  
CPU Module  
Power Supply Module

Group 1  
Main    Sub    Sub

Multi-axis simultaneous starting is possible

**Built-in controller type is compatible with several types of system or network.**

# HIGH

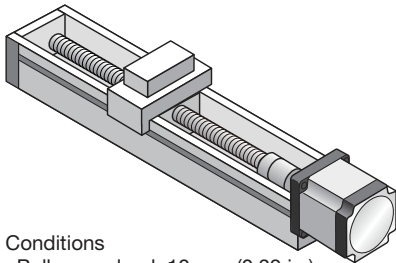
PERFORMANCE & RELIABILITY

Performance and function to enhance reliability.

## High Accuracy

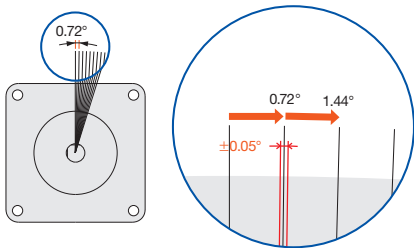
Highly Accurate Positioning

Positioning accuracy of the **RKII** Series is  $\pm 0.05^\circ$  ( $\pm 3$  arc min). When the **RKII** Series is used with a ball screw as shown in the drawing below, the stopping accuracy becomes  $\pm 0.0014$  mm. The accuracy of the normal ground ball screw is  $\pm 0.01$  mm, thus the accuracy is high enough for positioning operation.



- Conditions
- Ball screw lead: 10 mm (0.39 in.)
  - Motor to be used: **RKII** Series

Stopping Accuracy  $\pm 0.0014$  mm



Positioning Accuracy  $\pm 0.05^\circ$

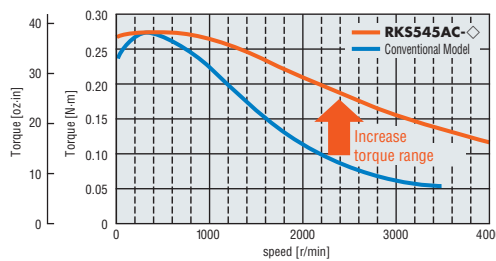
## High Torque

Compact and High Torque

The **RKII** Series is compact and produces high torque. The torque of the 42 mm (1.65 in.) frame size has increased 50%. This contributes to increased performance and faster move times. The series includes 60 mm (2.36 in.) and 85 mm (3.35 in.) frame size to cover a wide torque range.

● Note that for 60 mm (2.36 in.) and 85 mm (3.35 in.) frame size models, the torque is equivalent to the conventional model.

### ● Torque Comparison □ 42 mm (1.65 in.)

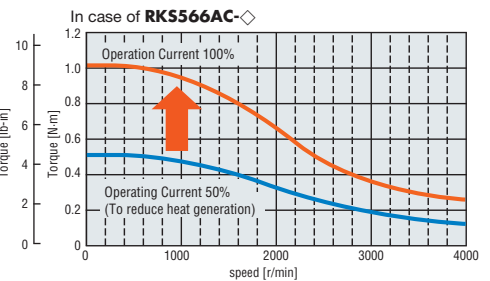


## High Efficiency

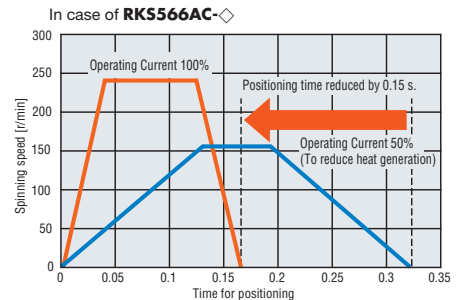
Optimizing the Use of Torque

With conventional stepper motors in applications where heat generation had to be suppressed, the running current had to be reduced, which also reduced torque. With the **RKII** Series, thanks to its low heat generating and highly efficient motors, the motor torque can be used fully to maximize performance.

### ● Torque Comparison by Running Current



### ● Comparison of Cycle Time



Operating Conditions

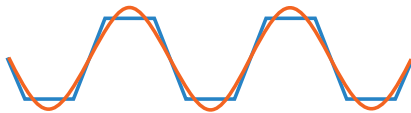
- Moment of load inertia:  $4 \times 10^{-4}$  [kg·m<sup>2</sup>] (22 oz-in<sup>2</sup>)
- Load torque: 0.2 [N·m] (28 oz-in)
- Traveling Amount: 180°
- Safety Factor: 2

# Low Vibration

Digitally Controlled Driver

Utilizing a full-time microstepping driver controlled by a digital system improves the vibration characteristics of the 0.72° stepper motor. Current control is also done by a high specification digital CPU. This model uses PWM control instead of PAM control resulting in a sinusoidal wave form in each phase, significantly reducing vibration.

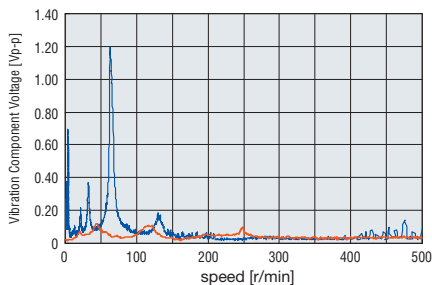
## ● Current Waveform in Motor (theoretical figure)



— RKII Series: sinusoidal wave  
— Conventional products: trapezoidal wave

Current in the motor is changed from trapezoidal wave to sinusoidal wave, which resulted in less vibration.

## ● Vibration Characteristics Comparison

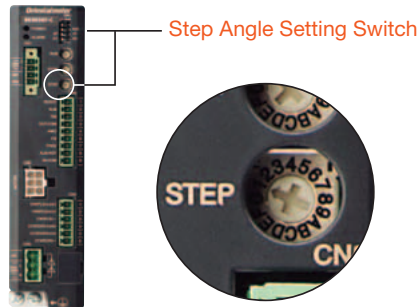


— RK5566AC - Step angle: 0.72°  
— 1.8° Stepper Motor That Uses Micro Step Driver

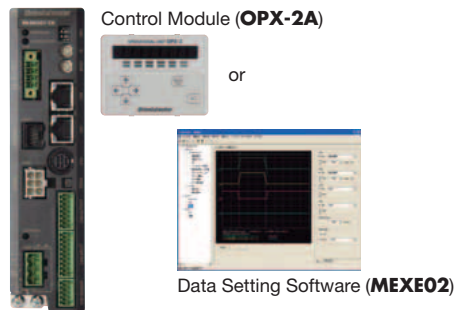
# Resolution

Step Angle can be Set Easily

For pulse input type, 32 step angles can be selected. To easily upgrade from a 1.8° stepper motor, use the step angle setting switch to match the existing input pulses to the desired output speed and position. There is no software or control module required.



For built-in controller type, the value can be set between 200 p/rev - 200,000 p/rev. Setting can be done by a control module, data setting software or RS-485 communication.



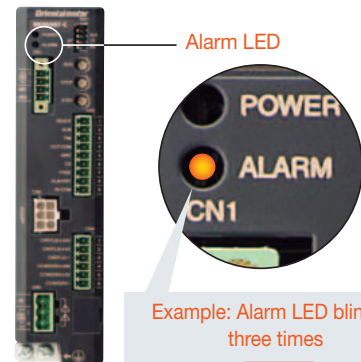
# Protective Function

Built-in Alarm Features

Many types of protection functions are integrated into the driver. A blinking LED (blink count determines alarm type) indicates when an alarm is triggered.

## (Example of alarm)

- Main circuit overheating
- Overvoltage
- Command pulse error
- Overcurrent
- Undervoltage
- Electrolytic capacitor error
- EEPROM error
- CPU error
- Automatic electromagnetic brake control error



Example: Alarm LED blinking three times


Overvoltage alarm


## [Causes]

- Power supply voltage exceeded the permissible value.
- A large inertial load was stopped suddenly or lifted or lowered.

# Product Line

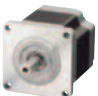




## ● List of Drivers and Motors

Driver Type	Motor Type	Frame Size	Electromagnetic Brake	Power Input
Built-in Controller Type 	Standard Type	42 mm (1.65 in.) 60 mm (2.36 in.) 85 mm (3.35 in.)	●	Single Phase 100-120 VAC Single Phase 200-240 VAC
	Standard Type with Encoder	42 mm (1.65 in.) 60 mm (2.36 in.) 85 mm (3.35 in.)	—	
	<b>TS</b> Geared Type <b>PS</b> Geared Type Harmonic Geared Type	42 mm (1.65 in.) 60 mm (2.36 in.) 90 mm (3.54 in.)	●	


Driver Type	Motor Type	Frame Size	Electromagnetic Brake	Power Input
Pulse Input Type 	Standard Type	42 mm (1.65 in.) 60 mm (2.36 in.) 85 mm (3.35 in.)	●	Single Phase 100-120 VAC Single Phase 200-240 VAC
	<b>TS</b> Geared Type <b>PS</b> Geared Type Harmonic Geared Type	42 mm (1.65 in.) 60 mm (2.36 in.) 90 mm (3.54 in.)	●	

## ● List of Standard Type, Geared Type and Features

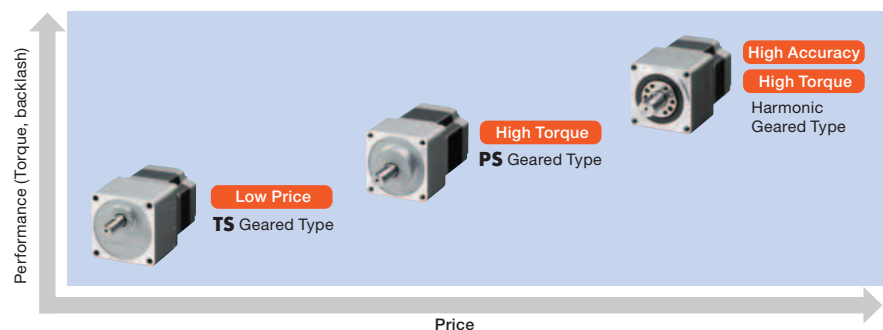
\*We provide encoder installed model, but only for the built-in controller models.

Type	Features	Permissible Torque, Maximum Torque [N·m (lb-in)]	Backlash [arc min (degree)]	Basic Resolution (°/pulse)	Output Shaft Speed (r/min)
Standard Type  	<ul style="list-style-type: none"> <li>Basic model of the <b>RKII</b> Series with Encoder</li> <li>For encoder installed model, functions for monitoring positioning data, detecting positioning gap are available.</li> <li>Resolution of encoder installed: 500 p/r.</li> </ul>	Maximum holding torque 6.3 (55)	—	0.72	6000
<b>TS</b> Geared Type (Spur Gear Mechanism) 	<ul style="list-style-type: none"> <li>High torque (Double of existing products)</li> <li>A wide variety of reduction gear ratios, high-speed operations</li> <li>Gear ratio types 3.6, 7.2, 10, 20, 30</li> </ul>	Permissible torque, Maximum torque 25 45 (221) (398)	10 (0.17)	0.024	833
<b>PS</b> Geared Type (Planetary Gear Mechanism) 	<ul style="list-style-type: none"> <li>Less backlash (comparing with existing products)</li> <li>Highly permissible torque, maximum torque</li> <li>A various reduction gear ratio lineup make easy to detect angle</li> <li>Center shaft</li> <li>Gear ratio types 5, 7.2, 10, 25, 36, 50</li> </ul>	Permissible torque, Maximum torque 37 60 (320) (530)	7 (0.117)	0.0144	600
Harmonic Geared Type (Harmonic Drive) 	<ul style="list-style-type: none"> <li>Longer mechanical life (2 times of existing products)</li> <li>Higher torque (1.3 times of existing products)</li> <li>High accuracy in positioning</li> <li>Highly permissible torque, maximum torque</li> <li>High reduction ratio, high resolution</li> <li>Center shaft</li> <li>Gear ratio types 50, 100</li> </ul>	Permissible torque, Maximum torque 52 107 (460) (947)	0	0.0072	70

### Notes

- Above values are for reference only. These values vary depending on motor frame size and gear ratios.
- Harmonic drive and  are registered trademarks of Harmonic drive systems Inc or trademarks.

Geared motors offered by Oriental Motor come pre-assembled. Use the quick reference chart for performance and price.





# Features of the New Product Line

## **NEW** Standard Type with Encoder (Built-in controller type only)

Encoder installed models make it possible to monitor the present position and detect for errors.



### ● Positioning Monitor

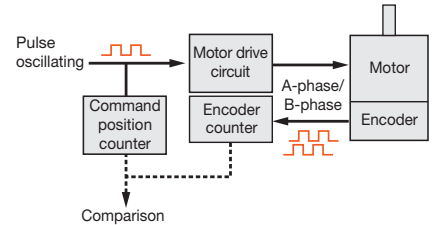
This feature can be used to detect the position of the motor. For instance, to confirm normal operations, compare commanded position to the actual position.

### ● Return-to-Home Operation by Using Z-phase Signal

Z-phase signal can be utilized for the return-to-home operation. Using Z-phase signal, the return-to-home point will be detected with higher accuracy than single use of the return-to-home sensor.

### ● Detecting for Errors

The encoder will compare command position and encoder-count. If deviation exceeds the set value, a STEPOUT signal will be output. Positional errors due to rapid changes in load can be detected. An alarm signal for abnormality in deviation is also available.



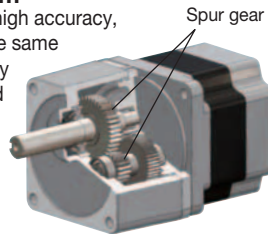
## TS Geared Type

This geared type is made with a simple spur gear design. The torque and speed have been improved.



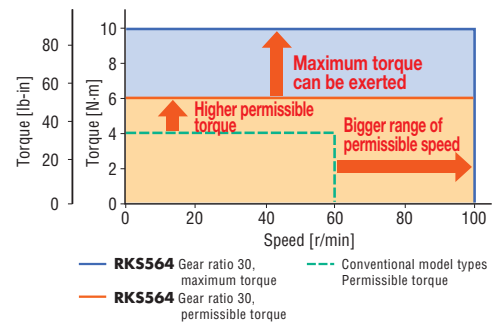
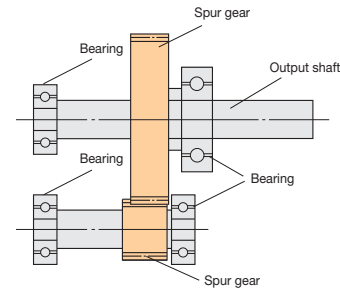
### ● Mechanism

Because of its high accuracy, this type has the same level of accuracy when compared to our tapered (TH) type without the added cost of tapering.



### ● Torque and Speed are Improved (compared with conventional model types)

The TS geared type realizes the improvement of permissible torque and at the same time, it can exert its maximum torque. The rated input speed is increased to 3,000 r/min and the permissible speed range of the output shaft has been significantly increased as well. The motor allows for higher torque and shortens the time for positioning, because the maximum torque range can be used for acceleration/deceleration.



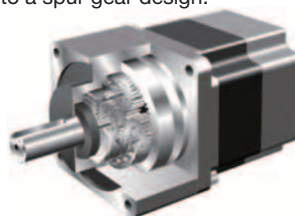
## PS Geared Type

The PS gear mechanism is comprised primarily of a sun gear, planetary gears and an internal tooth gear. The planetary gears design allows for higher output torque.



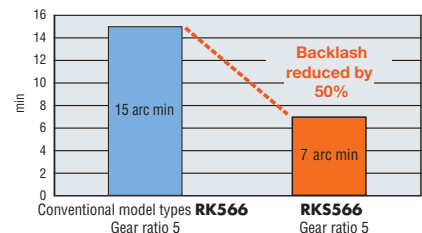
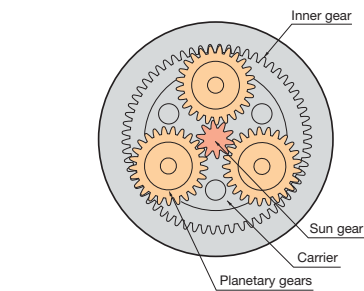
### ● Mechanism

There are gears inside used to distribute torque, which allows for higher torque than a spur gear design. The PS gear uses a higher accuracy gear design which provides for a lower backlash when compared to a spur gear design.



### ● Reduce Backlash (Compare with conventional model types)

Optimal design of gears reduced backlash. [Except: □42 mm (1.65 in.)] Positioning with higher accuracy is possible.



# Features of the New Product Line

## Harmonic Geared Type

The mechanical life, permissible torque and maximum torque are improved (compare with conventional model).



### ● Improved Rated Life (Twice the length of conventional models)

The rated life has been increased from 5,000 hours (conventional models) to 10,000 hours. [Except □42 mm (1.65 in.)]

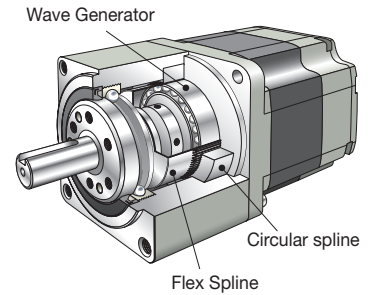
[Condition for rated life time]

- Torque : Permissible torque
- Type of load : Uniform load
- Input speed : 1,500 r/min
- Radial load : Permissible radial load
- Axial load : Permissible axial load

### ● High Torque

With more permissible and maximum torque available, more load can be handled with the same size geared motor.

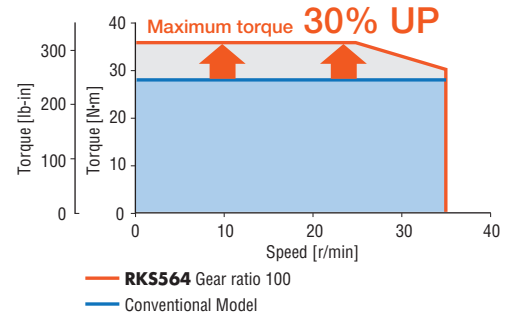
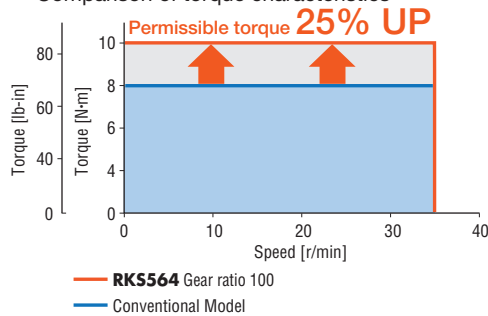
### ● Structure



Comparison of specification

Product name	RKS564AC -HS100-◇	Conventional model
Permissible torque N·m	10 (88 lb-in)	8 (70 lb-in)
Maximum torque N·m	36 (390 lb-in)	28 (240 lb-in)
Gear ratio	100	
Lost motion (Load torque)	0.7 arc min or less ±0.39 N·m (3.45 lb-in)	

Comparison of torque characteristics

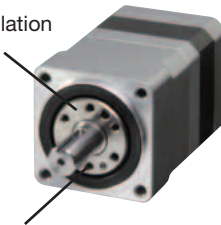


### ● Surface Installation of Load Is Available

This type permits installation of load directly on the rotating surface integrated with the shaft. [Except: □90 mm (3.54 in.)]

#### Appearance and Installation

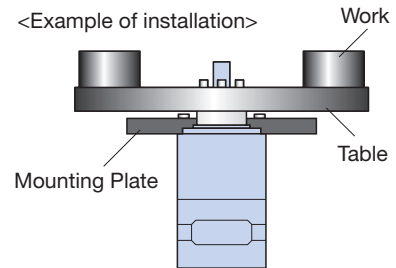
Example: This surface rotates with the shaft



Tapped holes are provided on the rotating surface for load installation

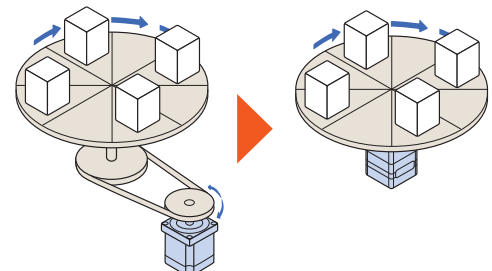
#### Application: Index Table

This type not only reduces the number of parts/processes, but also improves reliability. They are also suitable for operating loads that receive moment loads.



<Example mechanism>

<Surface mounting>



● Harmonic drive and are registered trademarks of Harmonic Drive systems Inc or trademarks.



# Advantages of Geared Motors

Using geared motors bring many advantages, such as speed reduction, high torque and high resolution.

## The Motor Can Drive a Large Inertial Load

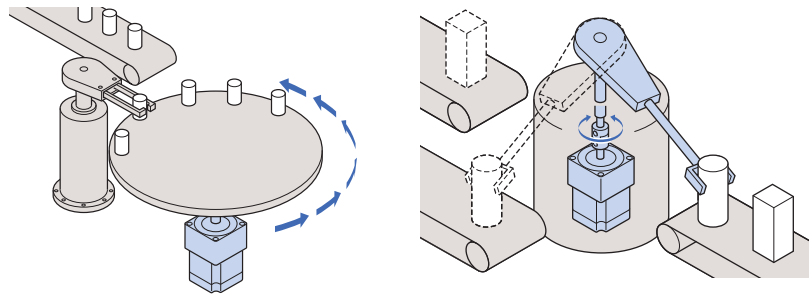
If compared with a standard motor, the geared motors can drive larger inertial loads because its permissible load moment of inertia increases with the square of the reduction ratio. This means that larger inertial loads can be driven with geared motors.

Comparison of load moment of inertia

	Motor Type	Motor Product Name	Load Moment of Inertia (10 times of Rotor Inertia)	Diameter of Inertial Load (Thickness: 20 mm (0.79 in.), material: Aluminum)	Speed Range
	Standard Type	<b>RKS564AC-◇</b>	$1.6 \times 10^{-4}$ kg·m <sup>2</sup>	72 mm (2.83 in.)	0~6,000 r/min
	<b>PS</b> Geared Type (Gear ratio 5)	<b>RKS566AC-PS5-◇</b>	$40 \times 10^{-4}$ kg·m <sup>2</sup>	164 mm (6.46 in.)	0~600 r/min

## Improved Damping Characteristic at Start and Stop

If the inertial load is large or acceleration/ deceleration time is short, a geared motor can reduce damping more effectively and thereby ensure more stable driving compared to a standard motor. Geared motors are ideal for applications where a large inertia such as an index table or arm must be driven to perform quick positioning.

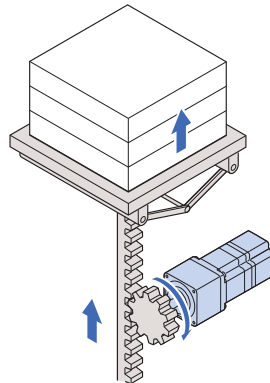


## High Rigidity, Resistant to Torsional Force

Geared motors have high rigidity and are therefore resistant to torsional force. Therefore, compared to standard motors, geared motors are less subject to load torque fluctuation. This means that stability and high positioning accuracy can be ensured even when the load size changes.

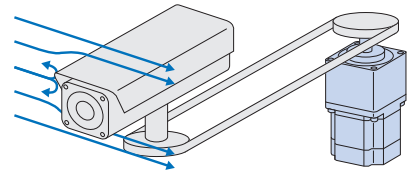
Application: Lifter

The application can perform high-precision stops, even with elevators and other mechanisms that perform vertical operations where the number of loads or weight of loads changes.



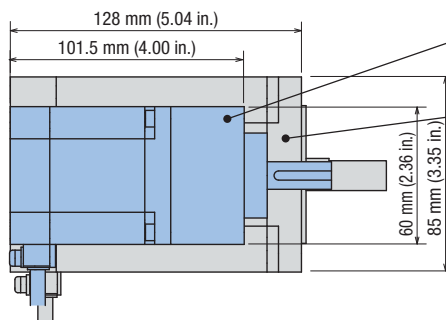
Application: Security Camera

The position can be held securely even when the camera sways from strong winds.



## Downsizing

If comparing the standard motor and the geared motor which have similar maximum holding torque, the setting angle of the geared motor is smaller than the standard motor. Geared motors are effective when the equipment must be kept small and light.



**PS Geared Motor**

**RKS566AC-PS25-◇** Weight: 1.4 kg (3.1 lb.),  
TH = 8 N·m (70 lb-in.)

**Standard Motor**

**RKS5913AC-◇** Weight: 4.1 kg (9.0 lb.),  
TH = 6.3 N·m (55.7 lb-in.)

\* TH means "Holding torque"

## System Configuration

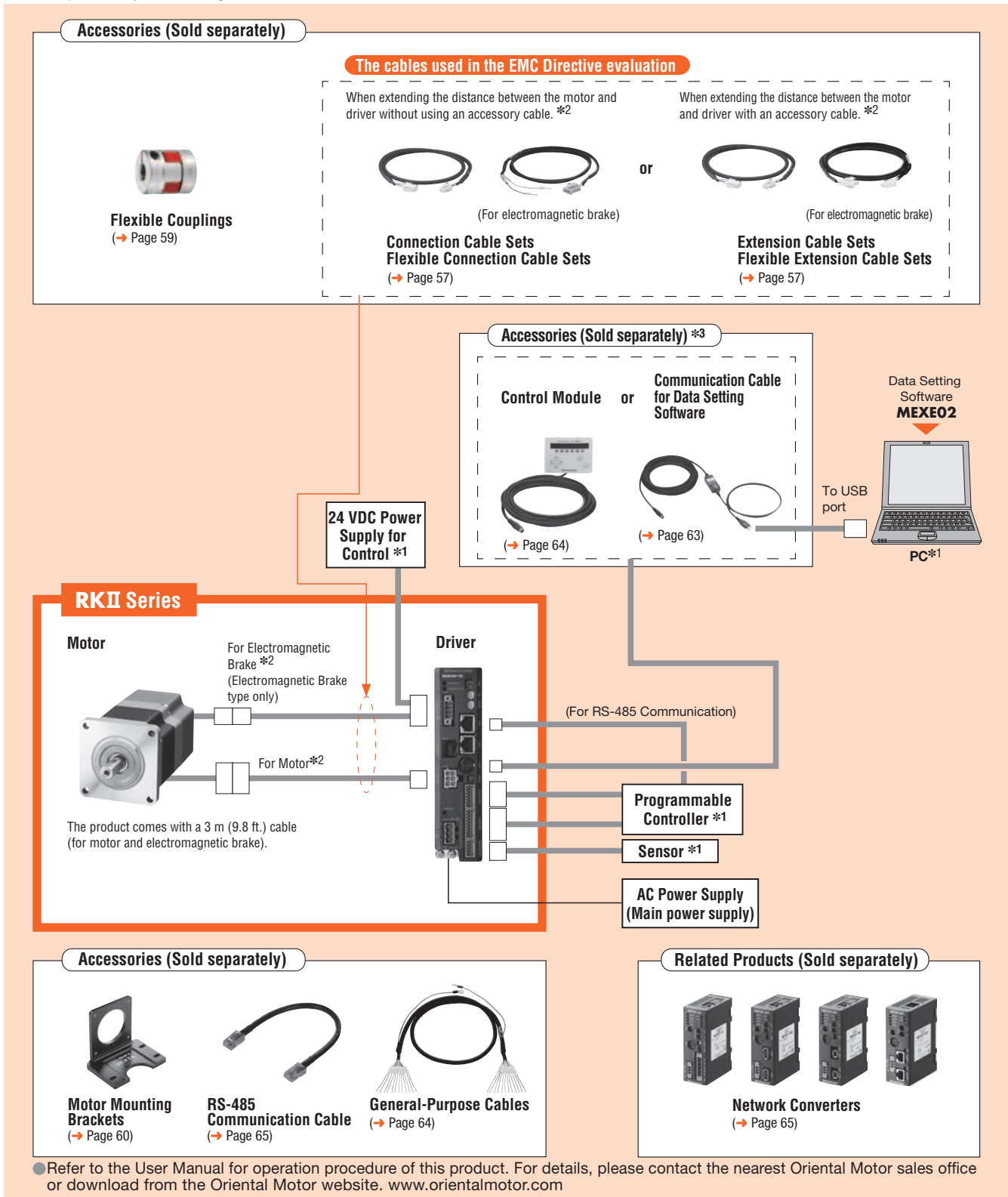
### Built-in Controller Package Standard Type with Electromagnetic Brake

An example of a system configuration when used with either I/O control or RS-485 communication.

\*1 Not supplied

\*2 Only with the type supplied with a connection cable

\*3 To be provided by the customer as needed



### Example of System Configuration

RKII Series	Sold Separately		
	Motor Mounting Bracket	Flexible Coupling	General-Purpose Cable 1 m (3.3 ft.)
<b>RKS566MCD-3</b>	<b>PAL2P-5</b>	<b>MCS301010</b>	<b>CC16D010B-1</b>
\$702.00	\$17.00	\$71.00	\$39.00

● The system configuration shown above is an example. Other combinations are available.



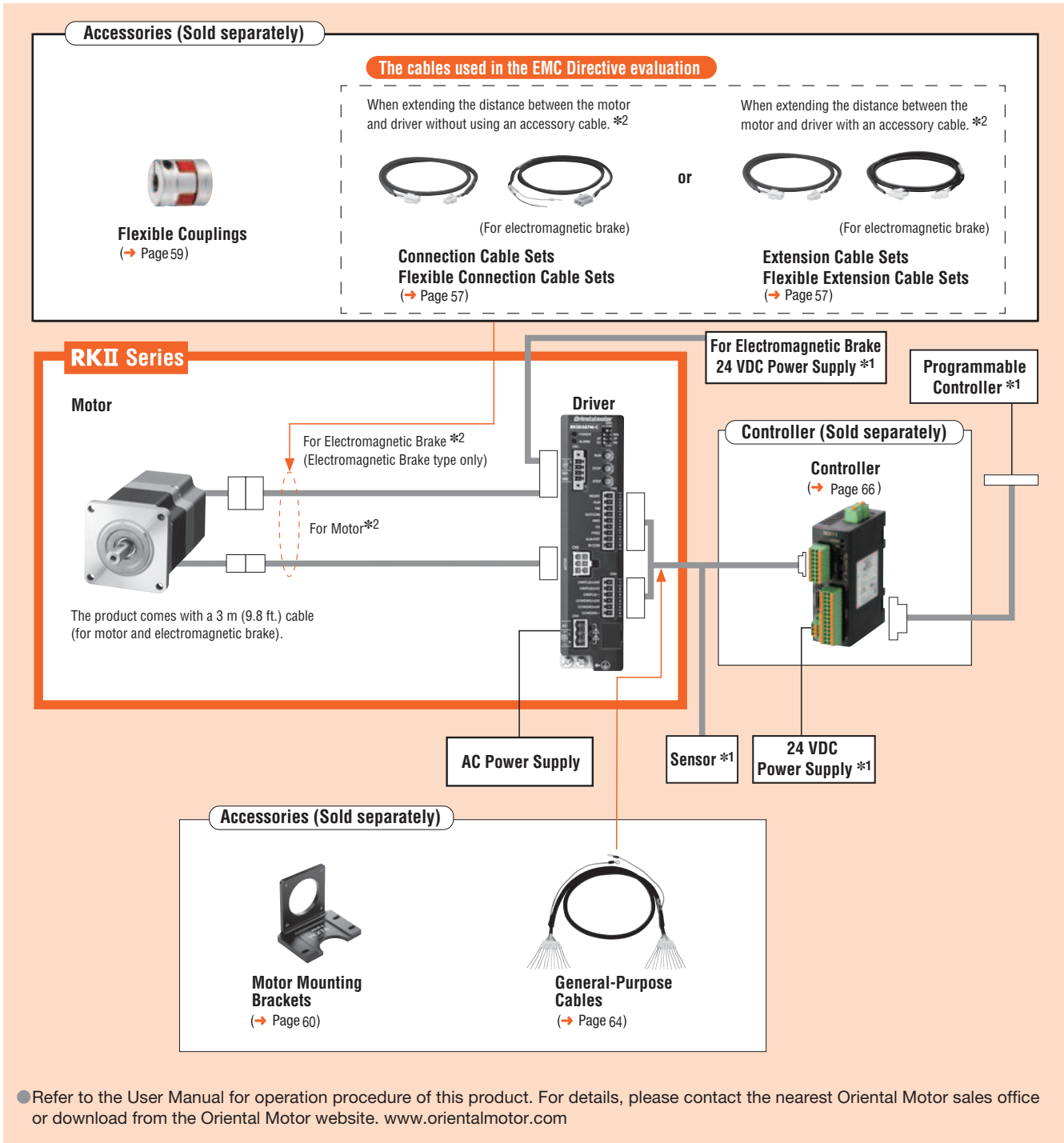
## System Configuration

### Pulse Input Type/Standard Type with Electromagnetic Brake

A single-axis system configuration with the **SCX11** controller.

\*1 Not supplied

\*2 Only the model includes connecting cable



## Product Number

**RKS 5 6 4 R C D 2 - 3**

① ② ③ ④ ⑤ ⑥ ⑦ ⑧ ⑪

**RKS 5 6 4 M C D - HS 50 - 3**

① ② ③ ④ ⑤ ⑥ ⑦ ⑨ ⑩ ⑪

①	Series Name	<b>RKS : RKII Series</b>
②	5 : 5-Phase	
③	Motor Frame Size	<b>4</b> : 42 mm (1.65 in.) <b>6</b> : 60 mm (2.36 in.) <b>9</b> : 85 mm (3.35 in.) [(Motor Frame Size for Geared Type 90 mm) (3.54 in.)]
④	Motor Case Length	
⑤	Motor Type	<b>A</b> : Single Shaft <b>B</b> : Double Shaft <b>R</b> : Encoder Type <b>M</b> : Electromagnetic Brake Type
⑥	Power Supply Voltage	<b>A</b> : Single-Phase 100-120 VAC <b>C</b> : Single-Phase 200-240 VAC
⑦	Driver Type	<b>D</b> : Built-in Controller Type Blank : Pulse Input Type
⑧	Serial Number	
⑨	Gearhead Type	Blank : Standard Type <b>TS</b> : <b>TS</b> Geared Type <b>PS</b> : <b>PS</b> Geared Type <b>HS</b> : Harmonic Geared Type
⑩	Gear Ratio	
⑪	Connecting Cable	Numeric value : Cable length (included in package) <b>3</b> : 3 m (9.8 ft.)

## Product Line

### Built-in Controller (Stored Data) Type

#### Standard Type

Product Name (Single Shaft)	List Price
<b>RKS543A</b> □ <b>D-3</b>	\$461.00
<b>RKS544A</b> □ <b>D-3</b>	\$462.00
<b>RKS545A</b> □ <b>D-3</b>	\$469.00
<b>RKS564A</b> □ <b>D-3</b>	\$506.00
<b>RKS566A</b> □ <b>D-3</b>	\$511.00
<b>RKS569A</b> □ <b>D-3</b>	\$516.00
<b>RKS596A</b> □ <b>D-3</b>	\$566.00
<b>RKS599A</b> □ <b>D-3</b>	\$606.00
<b>RKS5913A</b> □ <b>D-3</b>	\$649.00

Product Name (Double Shaft)	List Price
<b>RKS543B</b> □ <b>D-3</b>	\$463.00
<b>RKS544B</b> □ <b>D-3</b>	\$464.00
<b>RKS545B</b> □ <b>D-3</b>	\$472.00
<b>RKS564B</b> □ <b>D-3</b>	\$508.00
<b>RKS566B</b> □ <b>D-3</b>	\$513.00
<b>RKS569B</b> □ <b>D-3</b>	\$519.00
<b>RKS596B</b> □ <b>D-3</b>	\$570.00
<b>RKS599B</b> □ <b>D-3</b>	\$612.00
<b>RKS5913B</b> □ <b>D-3</b>	\$657.00

#### Standard Type with Electromagnetic Brake

Product Name	List Price
<b>RKS543M</b> □ <b>D-3</b>	\$609.00
<b>RKS544M</b> □ <b>D-3</b>	\$610.00
<b>RKS545M</b> □ <b>D-3</b>	\$618.00
<b>RKS564M</b> □ <b>D-3</b>	\$696.00
<b>RKS566M</b> □ <b>D-3</b>	\$702.00
<b>RKS569M</b> □ <b>D-3</b>	\$707.00
<b>RKS596M</b> □ <b>D-3</b>	\$778.00
<b>RKS599M</b> □ <b>D-3</b>	\$818.00
<b>RKS5913M</b> □ <b>D-3</b>	\$861.00

#### Standard Type with Encoder

Product Name	List Price
<b>RKS543R</b> □ <b>D2-3</b>	\$547.00
<b>RKS544R</b> □ <b>D2-3</b>	\$548.00
<b>RKS545R</b> □ <b>D2-3</b>	\$556.00
<b>RKS564R</b> □ <b>D2-3</b>	\$592.00
<b>RKS566R</b> □ <b>D2-3</b>	\$597.00
<b>RKS569R</b> □ <b>D2-3</b>	\$602.00
<b>RKS596R</b> □ <b>D2-3</b>	\$652.00
<b>RKS599R</b> □ <b>D2-3</b>	\$692.00
<b>RKS5913R</b> □ <b>D2-3</b>	\$735.00

#### TS Geared Type

Product Name (Single Shaft)	List Price
<b>RKS543A</b> □ <b>D-TS3.6-3</b>	\$601.00
<b>RKS543A</b> □ <b>D-TS7.2-3</b>	\$601.00
<b>RKS543A</b> □ <b>D-TS10-3</b>	\$616.00
<b>RKS543A</b> □ <b>D-TS20-3</b>	\$616.00
<b>RKS543A</b> □ <b>D-TS30-3</b>	\$616.00
<b>RKS564A</b> □ <b>D-TS3.6-3</b>	\$661.00
<b>RKS564A</b> □ <b>D-TS7.2-3</b>	\$661.00
<b>RKS564A</b> □ <b>D-TS10-3</b>	\$677.00
<b>RKS564A</b> □ <b>D-TS20-3</b>	\$677.00
<b>RKS564A</b> □ <b>D-TS30-3</b>	\$677.00
<b>RKS596A</b> □ <b>D-TS3.6-3</b>	\$749.00
<b>RKS596A</b> □ <b>D-TS7.2-3</b>	\$749.00
<b>RKS596A</b> □ <b>D-TS10-3</b>	\$765.00
<b>RKS596A</b> □ <b>D-TS20-3</b>	\$765.00
<b>RKS596A</b> □ <b>D-TS30-3</b>	\$765.00

Product Name (Single Shaft)	List Price
<b>RKS543B</b> □ <b>D-TS3.6-3</b>	\$603.00
<b>RKS543B</b> □ <b>D-TS7.2-3</b>	\$603.00
<b>RKS543B</b> □ <b>D-TS10-3</b>	\$619.00
<b>RKS543B</b> □ <b>D-TS20-3</b>	\$619.00
<b>RKS543B</b> □ <b>D-TS30-3</b>	\$619.00
<b>RKS564B</b> □ <b>D-TS3.6-3</b>	\$664.00
<b>RKS564B</b> □ <b>D-TS7.2-3</b>	\$664.00
<b>RKS564B</b> □ <b>D-TS10-3</b>	\$680.00
<b>RKS564B</b> □ <b>D-TS20-3</b>	\$680.00
<b>RKS564B</b> □ <b>D-TS30-3</b>	\$680.00
<b>RKS596B</b> □ <b>D-TS3.6-3</b>	\$753.00
<b>RKS596B</b> □ <b>D-TS7.2-3</b>	\$753.00
<b>RKS596B</b> □ <b>D-TS10-3</b>	\$769.00
<b>RKS596B</b> □ <b>D-TS20-3</b>	\$769.00
<b>RKS596B</b> □ <b>D-TS30-3</b>	\$769.00

#### TS Geared Type with Electromagnetic Brake

Product Name	List Price
<b>RKS543M</b> □ <b>D-TS3.6-3</b>	\$755.00
<b>RKS543M</b> □ <b>D-TS7.2-3</b>	\$755.00
<b>RKS543M</b> □ <b>D-TS10-3</b>	\$770.00
<b>RKS543M</b> □ <b>D-TS20-3</b>	\$770.00
<b>RKS543M</b> □ <b>D-TS30-3</b>	\$770.00
<b>RKS564M</b> □ <b>D-TS3.6-3</b>	\$859.00
<b>RKS564M</b> □ <b>D-TS7.2-3</b>	\$859.00
<b>RKS564M</b> □ <b>D-TS10-3</b>	\$875.00
<b>RKS564M</b> □ <b>D-TS20-3</b>	\$875.00
<b>RKS564M</b> □ <b>D-TS30-3</b>	\$875.00
<b>RKS596M</b> □ <b>D-TS3.6-3</b>	\$969.00
<b>RKS596M</b> □ <b>D-TS7.2-3</b>	\$969.00
<b>RKS596M</b> □ <b>D-TS10-3</b>	\$985.00
<b>RKS596M</b> □ <b>D-TS20-3</b>	\$985.00
<b>RKS596M</b> □ <b>D-TS30-3</b>	\$985.00

● Enter the power supply voltage **A** (single-phase 100-120 VAC) or **C** (single-phase 200-240 VAC) in the box □ located within the product name.

● Oriental Motor Corp. provide user's manual for this product. For more detail, please contact to our branch, sales office or download it from our website.  
www.orientalmotor.com

#### Note

● The cable on the Electromagnetic Brake or Encoder cannot be connected to the driver directly. To connect to the driver, use the connection cable supplied in the package.

◇ PS Geared Type

Product Name (Single Shaft)	List Price
RKS545A□D-PS5-3	\$756.00
RKS545A□D-PS7.2-3	\$756.00
RKS545A□D-PS10-3	\$756.00
RKS543A□D-PS25-3	\$806.00
RKS543A□D-PS36-3	\$806.00
RKS543A□D-PS50-3	\$806.00
RKS566A□D-PS5-3	\$858.00
RKS566A□D-PS7.2-3	\$858.00
RKS566A□D-PS10-3	\$858.00
RKS564A□D-PS25-3	\$936.00
RKS564A□D-PS36-3	\$936.00
RKS564A□D-PS50-3	\$936.00
RKS599A□D-PS5-3	\$1,050.00
RKS599A□D-PS7.2-3	\$1,050.00
RKS599A□D-PS10-3	\$1,050.00
RKS596A□D-PS25-3	\$1,148.00
RKS596A□D-PS36-3	\$1,148.00
RKS596A□D-PS50-3	\$1,148.00

Product Name (Double Shaft)	List Price
RKS545B□D-PS5-3	\$758.00
RKS545B□D-PS7.2-3	\$758.00
RKS545B□D-PS10-3	\$758.00
RKS543B□D-PS25-3	\$808.00
RKS543B□D-PS36-3	\$808.00
RKS543B□D-PS50-3	\$808.00
RKS566B□D-PS5-3	\$861.00
RKS566B□D-PS7.2-3	\$861.00
RKS566B□D-PS10-3	\$861.00
RKS564B□D-PS25-3	\$939.00
RKS564B□D-PS36-3	\$939.00
RKS564B□D-PS50-3	\$939.00
RKS599B□D-PS5-3	\$1,056.00
RKS599B□D-PS7.2-3	\$1,056.00
RKS599B□D-PS10-3	\$1,056.00
RKS596B□D-PS25-3	\$1,153.00
RKS596B□D-PS36-3	\$1,153.00
RKS596B□D-PS50-3	\$1,153.00

◇ PS Geared Type with Electromagnetic Brake

Product Name	List Price
RKS545M□D-PS5-3	\$924.00
RKS545M□D-PS7.2-3	\$924.00
RKS545M□D-PS10-3	\$924.00
RKS543M□D-PS25-3	\$974.00
RKS543M□D-PS36-3	\$974.00
RKS543M□D-PS50-3	\$974.00
RKS566M□D-PS5-3	\$1,074.00
RKS566M□D-PS7.2-3	\$1,074.00
RKS566M□D-PS10-3	\$1,074.00
RKS564M□D-PS25-3	\$1,152.00
RKS564M□D-PS36-3	\$1,152.00
RKS564M□D-PS50-3	\$1,152.00
RKS599M□D-PS5-3	\$1,290.00
RKS599M□D-PS7.2-3	\$1,290.00
RKS599M□D-PS10-3	\$1,290.00
RKS596M□D-PS25-3	\$1,388.00
RKS596M□D-PS36-3	\$1,388.00
RKS596M□D-PS50-3	\$1,388.00

◇ Harmonic Geared Type

Product Name (Single Shaft)	List Price
RKS543A□D-HS50-3	\$1,100.00
RKS543A□D-HS100-3	\$1,100.00
RKS564A□D-HS50-3	\$1,422.00
RKS564A□D-HS100-3	\$1,422.00
RKS596A□D-HS50-3	\$1,766.00
RKS596A□D-HS100-3	\$1,766.00

Product Name (Double Shaft)	List Price
RKS543B□D-HS50-3	\$1,102.00
RKS543B□D-HS100-3	\$1,102.00
RKS564B□D-HS50-3	\$1,425.00
RKS564B□D-HS100-3	\$1,425.00
RKS596B□D-HS50-3	\$1,771.00
RKS596B□D-HS100-3	\$1,771.00

◇ Harmonic Geared Type with Electromagnetic Brake

Product Name	List Price
RKS543M□D-HS50-3	\$1,268.00
RKS543M□D-HS100-3	\$1,268.00
RKS564M□D-HS50-3	\$1,638.00
RKS564M□D-HS100-3	\$1,638.00
RKS596M□D-HS50-3	\$2,006.00
RKS596M□D-HS100-3	\$2,006.00

● Pulse Input Type

◇ Standard Type

Product Name (Single Shaft)	List Price
RKS543A□-3	\$461.00
RKS544A□-3	\$462.00
RKS545A□-3	\$469.00
RKS564A□-3	\$506.00
RKS566A□-3	\$511.00
RKS569A□-3	\$516.00
RKS596A□-3	\$566.00
RKS599A□-3	\$606.00
RKS5913A□-3	\$649.00

Product Name (Double Shaft)	List Price
RKS543B□-3	\$463.00
RKS544B□-3	\$464.00
RKS545B□-3	\$472.00
RKS564B□-3	\$508.00
RKS566B□-3	\$513.00
RKS569B□-3	\$519.00
RKS596B□-3	\$570.00
RKS599B□-3	\$612.00
RKS5913B□-3	\$657.00

◇ Standard Type with Electromagnetic Brake

Product Name	List Price
RKS543M□-3	\$609.00
RKS544M□-3	\$610.00
RKS545M□-3	\$618.00
RKS564M□-3	\$696.00
RKS566M□-3	\$702.00
RKS569M□-3	\$707.00
RKS596M□-3	\$778.00
RKS599M□-3	\$818.00
RKS5913M□-3	\$861.00

- Enter the power supply voltage **A** (single-phase 100-120 VAC) or **C** (single-phase 200-240 VAC) in the box □ located within the product name.
- Oriental Motor Corp. provide user's manual for this product. For more detail, please contact to our branch, sales office or download it from our website.  
www.orientalmotor.com

**Note**

- The cable on the Electromagnetic Brake or Encoder cannot be connected to the driver directly. To connect to the driver, use the connection cable supplied in the package.

◇ **TS Geared Type**

Product Name (Single Shaft)	List Price
<b>RKS543A</b> □- <b>TS3.6-3</b>	\$601.00
<b>RKS543A</b> □- <b>TS7.2-3</b>	\$601.00
<b>RKS543A</b> □- <b>TS10-3</b>	\$616.00
<b>RKS543A</b> □- <b>TS20-3</b>	\$616.00
<b>RKS543A</b> □- <b>TS30-3</b>	\$616.00
<b>RKS564A</b> □- <b>TS3.6-3</b>	\$661.00
<b>RKS564A</b> □- <b>TS7.2-3</b>	\$661.00
<b>RKS564A</b> □- <b>TS10-3</b>	\$677.00
<b>RKS564A</b> □- <b>TS20-3</b>	\$677.00
<b>RKS564A</b> □- <b>TS30-3</b>	\$677.00
<b>RKS596A</b> □- <b>TS3.6-3</b>	\$749.00
<b>RKS596A</b> □- <b>TS7.2-3</b>	\$749.00
<b>RKS596A</b> □- <b>TS10-3</b>	\$765.00
<b>RKS596A</b> □- <b>TS20-3</b>	\$765.00
<b>RKS596A</b> □- <b>TS30-3</b>	\$765.00

◇ **TS Geared Type with Electromagnetic Brake**

Product Name	List Price
<b>RKS543M</b> □- <b>TS3.6-3</b>	\$755.00
<b>RKS543M</b> □- <b>TS7.2-3</b>	\$755.00
<b>RKS543M</b> □- <b>TS10-3</b>	\$770.00
<b>RKS543M</b> □- <b>TS20-3</b>	\$770.00
<b>RKS543M</b> □- <b>TS30-3</b>	\$770.00
<b>RKS564M</b> □- <b>TS3.6-3</b>	\$859.00
<b>RKS564M</b> □- <b>TS7.2-3</b>	\$859.00
<b>RKS564M</b> □- <b>TS10-3</b>	\$875.00
<b>RKS564M</b> □- <b>TS20-3</b>	\$875.00
<b>RKS564M</b> □- <b>TS30-3</b>	\$875.00
<b>RKS596M</b> □- <b>TS3.6-3</b>	\$969.00
<b>RKS596M</b> □- <b>TS7.2-3</b>	\$969.00
<b>RKS596M</b> □- <b>TS10-3</b>	\$985.00
<b>RKS596M</b> □- <b>TS20-3</b>	\$985.00
<b>RKS596M</b> □- <b>TS30-3</b>	\$985.00

◇ **PS Geared Type**

Product Name (Single Shaft)	List Price
<b>RKS545A</b> □- <b>PS5-3</b>	\$756.00
<b>RKS545A</b> □- <b>PS7.2-3</b>	\$756.00
<b>RKS545A</b> □- <b>PS10-3</b>	\$756.00
<b>RKS543A</b> □- <b>PS25-3</b>	\$806.00
<b>RKS543A</b> □- <b>PS36-3</b>	\$806.00
<b>RKS543A</b> □- <b>PS50-3</b>	\$806.00
<b>RKS566A</b> □- <b>PS5-3</b>	\$858.00
<b>RKS566A</b> □- <b>PS7.2-3</b>	\$858.00
<b>RKS566A</b> □- <b>PS10-3</b>	\$858.00
<b>RKS564A</b> □- <b>PS25-3</b>	\$936.00
<b>RKS564A</b> □- <b>PS36-3</b>	\$936.00
<b>RKS564A</b> □- <b>PS50-3</b>	\$936.00
<b>RKS599A</b> □- <b>PS5-3</b>	\$1,050.00
<b>RKS599A</b> □- <b>PS7.2-3</b>	\$1,050.00
<b>RKS599A</b> □- <b>PS10-3</b>	\$1,050.00
<b>RKS596A</b> □- <b>PS25-3</b>	\$1,148.00
<b>RKS596A</b> □- <b>PS36-3</b>	\$1,148.00
<b>RKS596A</b> □- <b>PS50-3</b>	\$1,148.00

◇ **PS Geared Type with Electromagnetic Brake**

Product Name	List Price
<b>RKS545M</b> □- <b>PS5-3</b>	\$924.00
<b>RKS545M</b> □- <b>PS7.2-3</b>	\$924.00
<b>RKS545M</b> □- <b>PS10-3</b>	\$924.00
<b>RKS543M</b> □- <b>PS25-3</b>	\$974.00
<b>RKS543M</b> □- <b>PS36-3</b>	\$974.00
<b>RKS543M</b> □- <b>PS50-3</b>	\$974.00
<b>RKS566M</b> □- <b>PS5-3</b>	\$1,074.00
<b>RKS566M</b> □- <b>PS7.2-3</b>	\$1,074.00
<b>RKS566M</b> □- <b>PS10-3</b>	\$1,074.00
<b>RKS564M</b> □- <b>PS25-3</b>	\$1,152.00
<b>RKS564M</b> □- <b>PS36-3</b>	\$1,152.00
<b>RKS564M</b> □- <b>PS50-3</b>	\$1,152.00
<b>RKS599M</b> □- <b>PS5-3</b>	\$1,290.00
<b>RKS599M</b> □- <b>PS7.2-3</b>	\$1,290.00
<b>RKS599M</b> □- <b>PS10-3</b>	\$1,290.00
<b>RKS596M</b> □- <b>PS25-3</b>	\$1,388.00
<b>RKS596M</b> □- <b>PS36-3</b>	\$1,388.00
<b>RKS596M</b> □- <b>PS50-3</b>	\$1,388.00

◇ **Harmonic Geared Type**

Product Name (Single Shaft)	List Price
<b>RKS543A</b> □- <b>HS50-3</b>	\$1,100.00
<b>RKS543A</b> □- <b>HS100-3</b>	\$1,100.00
<b>RKS564A</b> □- <b>HS50-3</b>	\$1,422.00
<b>RKS564A</b> □- <b>HS100-3</b>	\$1,422.00
<b>RKS596A</b> □- <b>HS50-3</b>	\$1,766.00
<b>RKS596A</b> □- <b>HS100-3</b>	\$1,766.00

◇ **Harmonic Geared Type with Electromagnetic Brake**

Product Name	List Price
<b>RKS543M</b> □- <b>HS50-3</b>	\$1,268.00
<b>RKS543M</b> □- <b>HS100-3</b>	\$1,268.00
<b>RKS564M</b> □- <b>HS50-3</b>	\$1,638.00
<b>RKS564M</b> □- <b>HS100-3</b>	\$1,638.00
<b>RKS596M</b> □- <b>HS50-3</b>	\$2,006.00
<b>RKS596M</b> □- <b>HS100-3</b>	\$2,006.00

● Enter the power supply voltage **A** (single-phase 100-120 VAC) or **C** (single-phase 200-240 VAC) in the box □ located within the product name.

● Oriental Motor Corp. provide user's manual for this product. For more detail, please contact to our branch, sales office or download it from our website.  
www.orientalmotor.com

**Note**

● The cable on the Electromagnetic Brake or Encoder cannot be connected to the driver directly. To connect to the driver, use the connection cable supplied in the package.



# Standard Type

# Standard Type with Electromagnetic Brake

# Standard Type with Encoder

Frame Size 42 mm (1.65 in.), 60 mm (2.36 in.)

## Specifications RoHS

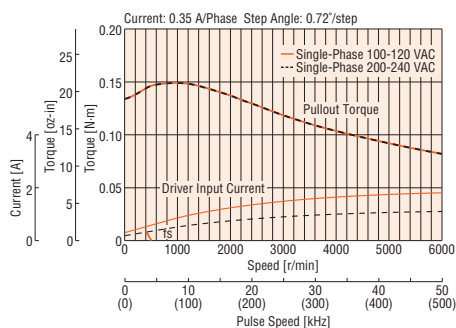


Product Name	Built-in Controller Type		RKS543 <span style="border: 1px solid black; border-radius: 50%; padding: 2px;">D</span> -3	RKS544 <span style="border: 1px solid black; border-radius: 50%; padding: 2px;">D</span> -3	RKS545 <span style="border: 1px solid black; border-radius: 50%; padding: 2px;">D</span> -3	RKS564 <span style="border: 1px solid black; border-radius: 50%; padding: 2px;">D</span> -3	RKS566 <span style="border: 1px solid black; border-radius: 50%; padding: 2px;">D</span> -3	RKS569 <span style="border: 1px solid black; border-radius: 50%; padding: 2px;">D</span> -3	
	Pulse Input Type		RKS543 <span style="border: 1px solid black; border-radius: 50%; padding: 2px;">A</span> -3	RKS544 <span style="border: 1px solid black; border-radius: 50%; padding: 2px;">A</span> -3	RKS545 <span style="border: 1px solid black; border-radius: 50%; padding: 2px;">A</span> -3	RKS564 <span style="border: 1px solid black; border-radius: 50%; padding: 2px;">A</span> -3	RKS566 <span style="border: 1px solid black; border-radius: 50%; padding: 2px;">A</span> -3	RKS569 <span style="border: 1px solid black; border-radius: 50%; padding: 2px;">A</span> -3	
Maximum Holding Torque	N·m (oz·in)		0.14 (19.8)	0.21 (29)	0.27 (38)	0.52 (73)	0.96 (136)	1.77 (250)	
Holding Torque at Motor Standstill	Power ON	N·m (oz·in)	0.07 (9.9)	0.10 (14.2)	0.13 (18.4)	0.26 (36)	0.48 (68)	0.88 (124)	
	Electromagnetic Brake	N·m (oz·in)	0.07 (9.9)	0.10 (14.2)	0.13 (18.4)	0.26 (36)	0.48 (68)	0.88 (124)	
Rotor Inertia	J : kg·m <sup>2</sup> (oz·in <sup>2</sup> )		30×10 <sup>-7</sup> (0.164)	47×10 <sup>-7</sup> (0.26)	64×10 <sup>-7</sup> (0.35)	160×10 <sup>-7</sup> (0.88)	270×10 <sup>-7</sup> (1.48)	540×10 <sup>-7</sup> (3.0)	
			[45×10 <sup>-7</sup> ] (0.25)*1	[62×10 <sup>-7</sup> ] (0.34)*1	[79×10 <sup>-7</sup> ] (0.43)*1	[320×10 <sup>-7</sup> ] (1.75)*1	[430×10 <sup>-7</sup> ] (2.4)*1	[700×10 <sup>-7</sup> ] (3.8)*1	
			31×10 <sup>-7</sup> (0.17)*2	48×10 <sup>-7</sup> (0.26)*2	65×10 <sup>-7</sup> (0.36)*2	160×10 <sup>-7</sup> (0.88)*2	270×10 <sup>-7</sup> (1.48)*2	540×10 <sup>-7</sup> (3.0)*2	
Rated Current	A / Phase		0.35			0.75			
Basic Step Angle	0.72°								
Power Supply Input	Voltage / Frequency		Single-Phase 100-120 VAC, Single-Phase 200-240 VAC -15~+10% 50/60 Hz						
	Input Current	Single-Phase 100-120 VAC	2.1	1.9	1.9	4.0	3.8	4.0	
	A	Single-Phase 200-240 VAC	1.3	1.2	1.2	2.4	2.4	2.5	
Excitation Mode	Microstep								
Control Power Supply*3	24 VDC±5% 0.2 A								
Electromagnetic Brake*4	Power Supply Input	24 VDC±5%*5 0.08 A				24 VDC±5%*5 0.25 A			

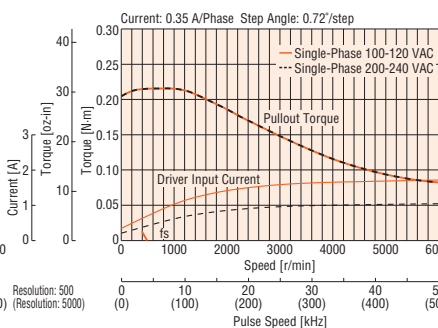
- For Built-in Controller package, enter **A** (single shaft), **B** (double shaft), **M** (electromagnetic brake) or **R** (encoder) where the box   is located within the product name.
- For Pulse Input package, enter **A** (single shaft), **B** (double shaft) or **M** (electromagnetic brake) where the box   is located within the product name.
- Enter **A** (Single-Phase 100-120 VAC) or **C** (Single-Phase 200-240 VAC) where   is located within the product name.
- For encoder type, **2** will be entered where   is located within the product name.
- \*1 The values inside the brackets [ ] represent the specification for the electromagnetic brake type.
- \*2 The values inside the brackets ( ) represent the specification for the encoder type.
- \*3 For Built-in Controller package, the control power supply is required.
- \*4 For Pulse Input package, a separate power supply for electromagnetic brakes is required.
- \*5 If the wiring distance between the motor and driver is extended to 15 m (49.2 ft.) or longer by using an accessory cable (sold separately), the 24 VDC±4% specification applies.

## Speed – Torque Characteristics fs: Maximum Starting Frequency

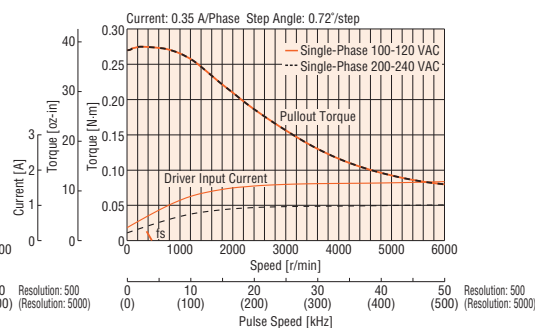
**RKS543**



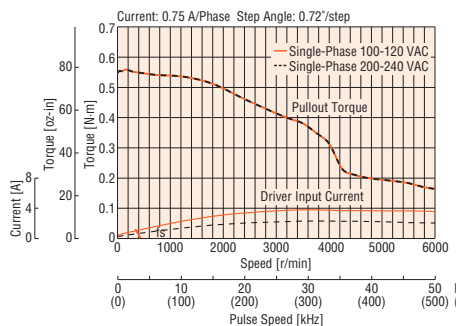
**RKS544**



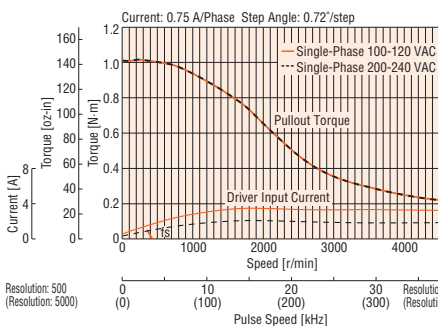
**RKS545**



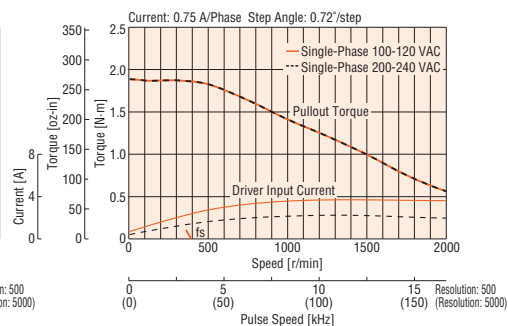
**RKS564**



**RKS566**



**RKS569**



### Note

- Depending on the driving conditions, a considerable amount of heat may be generated by the motor. Be sure to keep the temperature of the motor case under 100°C (212°F). For the Encoder type, in order to protect encoder, be sure to keep the temperature of the motor case under 85°C (185°F).

# Standard Type Standard Type with Electromagnetic Brake Standard Type with Encoder

Frame Size 85 mm (3.35 in.)

## Specifications RoHS

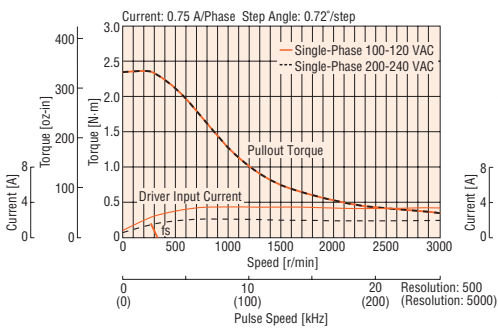


Product Name	Built-in Controller Type Pulse Input Type	RKS596 <span style="border: 1px solid black; border-radius: 50%; padding: 0 2px;"> </span> <span style="border: 1px solid black; border-radius: 50%; padding: 0 2px;"> </span> <span style="border: 1px solid black; border-radius: 50%; padding: 0 2px;"> </span> <span style="border: 1px solid black; border-radius: 50%; padding: 0 2px;"> </span> -3	RKS599 <span style="border: 1px solid black; border-radius: 50%; padding: 0 2px;"> </span> <span style="border: 1px solid black; border-radius: 50%; padding: 0 2px;"> </span> <span style="border: 1px solid black; border-radius: 50%; padding: 0 2px;"> </span> <span style="border: 1px solid black; border-radius: 50%; padding: 0 2px;"> </span> -3	RKS5913 <span style="border: 1px solid black; border-radius: 50%; padding: 0 2px;"> </span> <span style="border: 1px solid black; border-radius: 50%; padding: 0 2px;"> </span> <span style="border: 1px solid black; border-radius: 50%; padding: 0 2px;"> </span> <span style="border: 1px solid black; border-radius: 50%; padding: 0 2px;"> </span> -3	
		RKS596 <span style="border: 1px solid black; border-radius: 50%; padding: 0 2px;"> </span> <span style="border: 1px solid black; border-radius: 50%; padding: 0 2px;"> </span> -3	RKS599 <span style="border: 1px solid black; border-radius: 50%; padding: 0 2px;"> </span> <span style="border: 1px solid black; border-radius: 50%; padding: 0 2px;"> </span> -3	RKS5913 <span style="border: 1px solid black; border-radius: 50%; padding: 0 2px;"> </span> <span style="border: 1px solid black; border-radius: 50%; padding: 0 2px;"> </span> -3	
Maximum Holding Torque	N·m (oz·in)	2.1 (290)	4.1 (580)	6.3 (890)	
Holding Torque at Motor Standstill	Power ON	1.05 (149)	2.05 (290)	3.15 (440)	
	Electromagnetic Brake	1.05 (149)	2.05 (290)	3.15 (440)	
Rotor Inertia	J : kg·m <sup>2</sup> (oz·in <sup>2</sup> )	1100×10 <sup>-7</sup> (6.0) [2200×10 <sup>-7</sup> ] (12.0)* <sup>1</sup> (1100×10 <sup>-7</sup> ) (6.0)* <sup>2</sup>	2200×10 <sup>-7</sup> (12.0) [3300×10 <sup>-7</sup> ] (18.1)* <sup>1</sup> (2200×10 <sup>-7</sup> ) (12.0)* <sup>2</sup>	3300×10 <sup>-7</sup> (18.1) [4400×10 <sup>-7</sup> ] (24)* <sup>1</sup> (3300×10 <sup>-7</sup> ) (18.1)* <sup>2</sup>	
Rated Current	A / Phase	0.75			
Basic Step Angle		0.72°			
Power Supply Input	Voltage / Frequency	Single-Phase 100-120 VAC, Single-Phase 200-240 VAC -15~+10% 50/60 Hz			
	Input Current	Single-Phase 100-120 VAC	3.6	3.5	3.5
	A	Single-Phase 200-240 VAC	2.1	2.2	2.2
Excitation Mode		Microstep			
Control Power Supply* <sup>3</sup>		24 VDC±5% 0.2 A			
Electromagnetic Brake* <sup>4</sup>	Power Supply Input	24 VDC±5%* <sup>5</sup> 0.24 A			

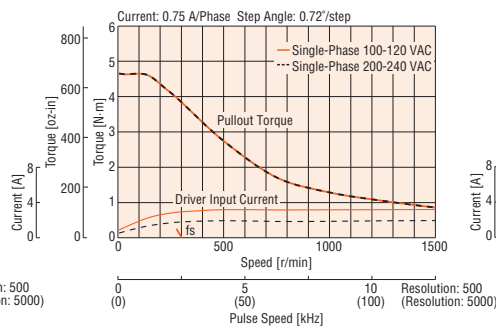
- For Built-in Controller package, enter **A** (single shaft), **B** (double shaft), **M** (electromagnetic brake) or **R** (encoder) where the box  is located within the product name.
- For Pulse Input package, enter **A** (single shaft), **B** (double shaft) or **M** (electromagnetic brake) where the box  is located within the product name.
- Enter **A** (Single-Phase 100-120 VAC) or **C** (Single-Phase 200-240 VAC) where  is located within the product name.
- For encoder type, **2** will be entered where  is located within the product name.
- \*<sup>1</sup> The values inside the brackets [ ] represent the specification for the electromagnetic brake type.
- \*<sup>2</sup> The values inside the brackets ( ) represent the specification for the encoder type.
- \*<sup>3</sup> For Built-in Controller package, the control power supply is required.
- \*<sup>4</sup> For Pulse Input package, a separate power supply for electromagnetic brakes is required.
- \*<sup>5</sup> If the wiring distance between the motor and driver is extended to 15 m (49.2 ft.) or longer by using an accessory cable (sold separately), the 24 VDC±4% specification applies.

## Speed – Torque Characteristics fs: Maximum Starting Frequency

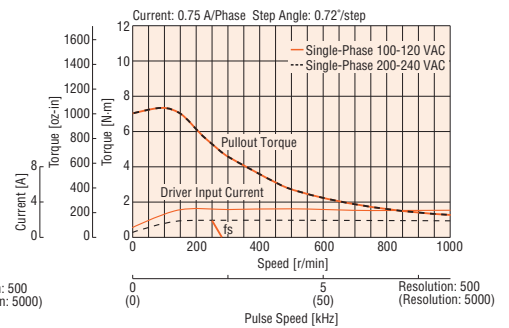
**RKS596**



**RKS599**



**RKS5913**



### Note

- Depending on the driving conditions, a considerable amount of heat may be generated by the motor. Be sure to keep the temperature of the motor case under 100°C (212°F). For the Encoder type, in order to protect encoder, be sure to keep the temperature of the motor case under 85°C (185°F).

# TS Geared Type

Frame Size 42 mm (1.65 in.)

# TS Geared Type with Electromagnetic Brake

## Specifications RoHS



Product Name	Built-in Controller Type		RKS543 <input type="checkbox"/> D-TS3.6-3	RKS543 <input type="checkbox"/> D-TS7.2-3	RKS543 <input type="checkbox"/> D-TS10-3	RKS543 <input type="checkbox"/> D-TS20-3	RKS543 <input type="checkbox"/> D-TS30-3
	Pulse Input Type		RKS543 <input type="checkbox"/> -TS3.6-3	RKS543 <input type="checkbox"/> -TS7.2-3	RKS543 <input type="checkbox"/> -TS10-3	RKS543 <input type="checkbox"/> -TS20-3	RKS543 <input type="checkbox"/> -TS30-3
Maximum Holding Torque	N·m (lb-in)		0.5 (4.4)	1 (8.8)	1.4 (12.3)	2 (17.7)	2.3 (20)
Rotor Inertia	J : kg·m <sup>2</sup> (oz-in <sup>2</sup> )		30×10 <sup>-7</sup> (0.164) [45×10 <sup>-7</sup> ] (0.25)*1				
Rated Current	A / Phase		0.35				
Basic Step Angle			0.2°	0.1°	0.072°	0.036°	0.024°
Gear Ratio			3.6	7.2	10	20	30
Permissible Torque*2	N·m (lb-in)		0.65 (5.7)	1.2 (10.6)	1.7 (15)	2 (17.7)	2.3 (20)
Maximum Torque*2	N·m (lb-in)		0.85 (7.5)	1.6 (14.1)	2 (17.7)	3 (26)	3 (26)
Holding Torque at Power ON	N·m (lb-in)		0.26 (2.3)	0.53 (4.6)	0.74 (6.5)	1.48 (13)	2.2 (19.4)
Motor Standstill	Electromagnetic Brake	N·m (lb-in)	0.26 (2.3)	0.53 (4.6)	0.74 (6.5)	1.48 (13)	2.2 (19.4)
Permissible Speed Range	r/min		0~833	0~416	0~300	0~150	0~100
Backlash	arc min		45 (0.75°)	25 (0.42°)		15 (0.25°)	
Power Supply Input	Voltage / Frequency		Single-Phase 100-120 VAC, Single-Phase 200-240 VAC -15~+10% 50/60 Hz				
	Input	Single-Phase 100-120 VAC	2.1				
Excitation Mode	Current A	Single-Phase 200-240 VAC	1.3				
			Microstep				
Control Power Supply*3			24 VDC±5% 0.2 A				
Electromagnetic Brake*4	Power Supply Input		24 VDC±5%*5 0.08 A				

● Enter **A** (single shaft), **B** (double shaft) or **M** (electromagnetic brake) where the box  is located within the product name.

Enter **A** (Single-Phase 100-120 VAC) or **C** (Single-Phase 200-240 VAC) where  is located within the product name.

\*1 The values inside the brackets [ ] represent the specification for the electromagnetic brake type.

\*2 Permissible Torque and Maximum Torque shown above is value recorded at the Gear. Refer to Speed – Torque Specification graph for output torque of Geared Motor.

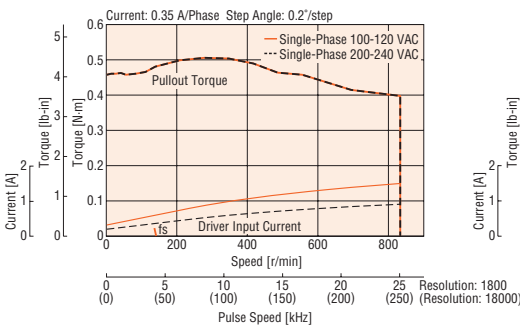
\*3 For Built-in Controller package, the control power supply is required.

\*4 For Pulse Input package, a separate power supply for electromagnetic brakes is required.

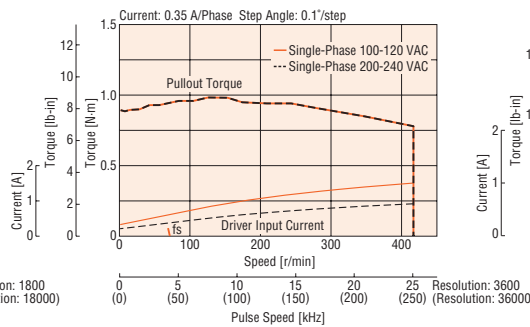
\*5 If the wiring distance between the motor and driver is extended to 15 m (49.2 ft.) or longer by using an accessory cable (sold separately), the 24 VDC±4% specification applies.

## Speed – Torque Characteristics *fs*: Maximum Starting Frequency

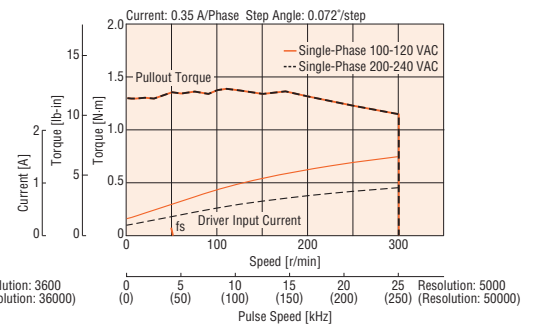
**RKS543 Gear Ratio: 3.6**



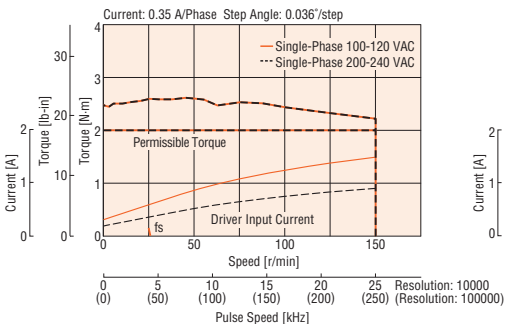
**RKS543 Gear Ratio: 7.2**



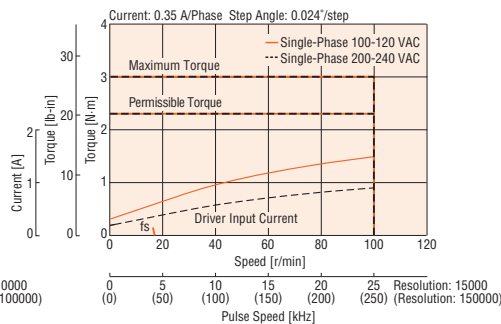
**RKS543 Gear Ratio: 10**



**RKS543 Gear Ratio: 20**



**RKS543 Gear Ratio: 30**



### Note

● Depending on the driving conditions, a considerable amount of heat may be generated by the motor. Be sure to keep the temperature of the motor case under 100°C (212°F).

# TS Geared Type

Frame Size 60 mm (2.36 in.)

# TS Geared Type with Electromagnetic Brake

## Specifications (RoHS)



Product Name	Built-in Controller Type Pulse Input Type	RKS564 <input type="checkbox"/> D-TS3.6-3	RKS564 <input type="checkbox"/> D-TS7.2-3	RKS564 <input type="checkbox"/> D-TS10-3	RKS564 <input type="checkbox"/> D-TS20-3	RKS564 <input type="checkbox"/> D-TS30-3
		RKS564 <input type="checkbox"/> TS3.6-3	RKS564 <input type="checkbox"/> TS7.2-3	RKS564 <input type="checkbox"/> TS10-3	RKS564 <input type="checkbox"/> TS20-3	RKS564 <input type="checkbox"/> TS30-3
Maximum Holding Torque	N·m (lb-in)	1.8 (15.9)	3 (26)	4 (35)	5 (44)	6 (53)
Rotor Inertia	J : kg·m <sup>2</sup> (oz-in <sup>2</sup> )	160×10 <sup>-7</sup> (0.87) [320×10 <sup>-7</sup> ] (1.75)*1				
Rated Current	A / Phase	0.75				
Basic Step Angle		0.2°	0.1°	0.072°	0.036°	0.024°
Gear Ratio		3.6	7.2	10	20	30
Permissible Torque*2	N·m (lb-in)	1.8 (15.9)	3 (26)	4 (35)	5 (44)	6 (53)
Maximum Torque*2	N·m (lb-in)	2.5 (22)	4.5 (39)	6 (53)	8 (70)	10 (88)
Holding Torque at Power ON	N·m (lb-in)	1 (8.8)	2 (17.7)	2.9 (25)	5 (44)	6 (53)
Motor Standstill	Electromagnetic Brake	N·m (lb-in)	2 (17.7)	2.9 (25)	5 (44)	6 (53)
Permissible Speed Range	r/min	0~833	0~416	0~300	0~150	0~100
Backlash	arc min	35 (0.59°)	15 (0.25°)		10 (0.17°)	
Power Supply Input	Voltage / Frequency	Single-Phase 100-120 VAC, Single-Phase 200-240 VAC -15~+10% 50/60 Hz				
	Input Current A	4.0				
Excitation Mode	Single-Phase 100-120 VAC	2.4				
	Single-Phase 200-240 VAC	2.4				
Control Power Supply*3		Microstep				
Electromagnetic Brake*4	Power Supply Input	24 VDC±5%*5 0.25 A				

● Enter **A** (single shaft), **B** (double shaft) or **M** (electromagnetic brake) where the box  is located within the product name.

Enter **A** (Single-Phase 100-120 VAC) or **C** (Single-Phase 200-240 VAC) where  is located within the product name.

\*1 The values inside the brackets [ ] represent the specification for the electromagnetic brake type.

\*2 Permissible Torque and Maximum Torque shown above is value recorded at the Gear. Refer to Speed – Torque Specification graph for output torque of Geared Motor.

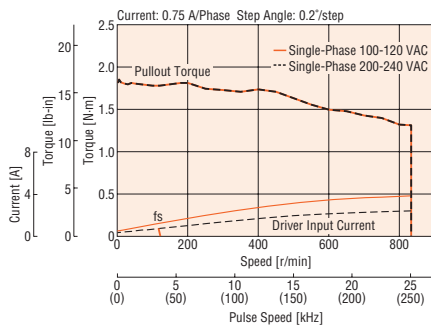
\*3 For Built-in Controller package, the control power supply is required.

\*4 For Pulse Input package, a separate power supply for electromagnetic brakes is required.

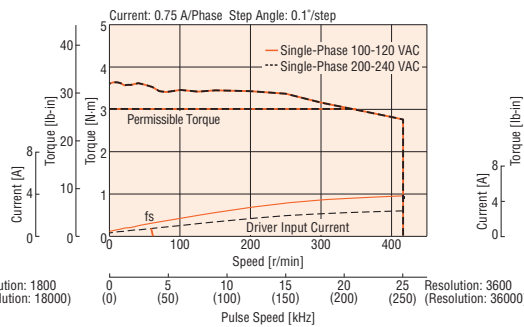
\*5 If the wiring distance between the motor and driver is extended to 15 m (49.2 ft.) or longer by using an accessory cable (sold separately), the 24 VDC±4% specification applies.

## Speed – Torque Characteristics $f_s$ : Maximum Starting Frequency

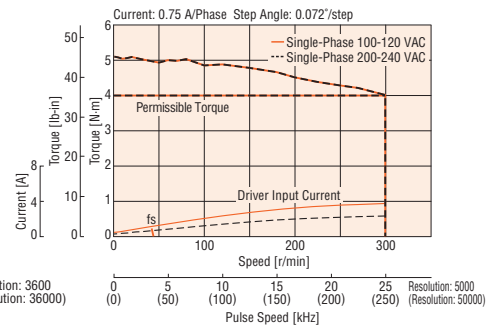
**RKS564 Gear Ratio: 3.6**



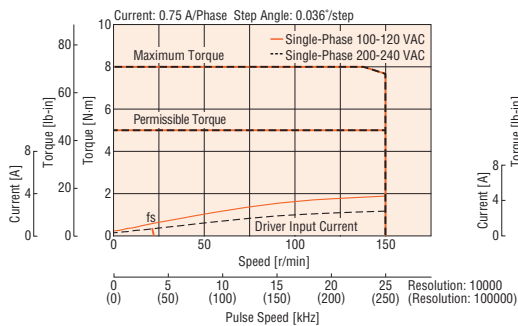
**RKS564 Gear Ratio: 7.2**



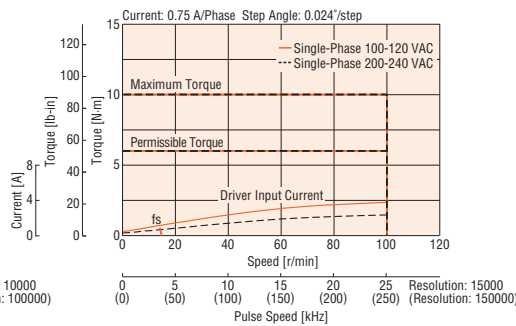
**RKS564 Gear Ratio: 10**



**RKS564 Gear Ratio: 20**



**RKS564 Gear Ratio: 30**



### Note

● Depending on the driving conditions, a considerable amount of heat may be generated by the motor. Be sure to keep the temperature of the motor case under 100°C (212°F).



# TS Geared Type

# TS Geared Type with Electromagnetic Brake

Frame Size 90 mm (3.54 in.)

## Specifications RoHS



Product Name	Built-in Controller Type Pulse Input Type	RKS596 <input type="checkbox"/> D-TS3.6-3	RKS596 <input type="checkbox"/> D-TS7.2-3	RKS596 <input type="checkbox"/> D-TS10-3	RKS596 <input type="checkbox"/> D-TS20-3	RKS596 <input type="checkbox"/> D-TS30-3	
		RKS596 <input type="checkbox"/> -TS3.6-3	RKS596 <input type="checkbox"/> -TS7.2-3	RKS596 <input type="checkbox"/> -TS10-3	RKS596 <input type="checkbox"/> -TS20-3	RKS596 <input type="checkbox"/> -TS30-3	
Maximum Holding Torque	N·m (lb·in)	6 (53)	10 (88)	14 (123)	20 (177)	25 (220)	
Rotor Inertia	J : kg·m <sup>2</sup> (oz·in <sup>2</sup> )	1100×10 <sup>-7</sup> (6) [2200×10 <sup>-7</sup> ]*1 (12)					
Rated Current	A / Phase	0.75					
Basic Step Angle		0.2°	0.1°	0.072°	0.036°	0.024°	
Gear Ratio		3.6	7.2	10	20	30	
Permissible Torque*2	N·m (lb·in)	6 (53)	10 (88)	14 (123)	20 (177)	25 (220)	
Maximum Torque*2	N·m (lb·in)	9 (79)	15 (132)	20 (177)	35 (300)	45 (390)	
Holding Torque at Power ON	N·m (lb·in)	6 (53)	9 (79)	7.4 (65)	18.5 (163)	25 (220)	
Motor Standstill	Electromagnetic Brake	N·m (lb·in)	9 (79)	7.4 (65)	18.5 (163)	25 (220)	
Permissible Speed Range	r/min	0~833	0~416	0~300	0~150	0~100	
Backlash	arc min	25 (0.42°)	15 (0.25°)		10 (0.17°)		
Power Supply Input	Voltage / Frequency Single-Phase 100-120 VAC, Single-Phase 200-240 VAC - 15~+10% 50/60 Hz						
	Input Current A	Single-Phase 100-120 VAC	3.6		4.9		
Excitation Mode	Microstep						
	Control Power Supply*3	24 VDC±5% 0.2 A					
Electromagnetic Brake*4	Power Supply Input	24 VDC±5%*5 0.42 A					

● Enter **A** (single shaft), **B** (double shaft) or **M** (electromagnetic brake) where the box  is located within the product name.

Enter **A** (Single-Phase 100-120 VAC) or **C** (Single-Phase 200-240 VAC) where  is located within the product name.

\*1 The values inside the brackets [ ] represent the specification for the electromagnetic brake type.

\*2 Permissible Torque and Maximum Torque shown above is value recorded at the Gear. Refer to Speed – Torque Specification graph for output torque of Geared Motor.

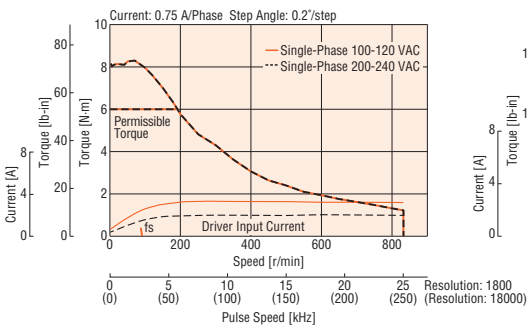
\*3 For Built-in Controller package, the control power supply is required.

\*4 For Pulse Input package, a separate power supply for electromagnetic brakes is required.

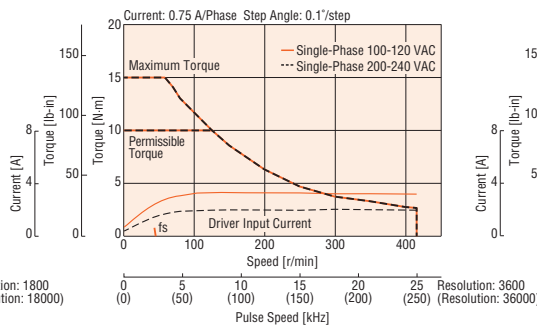
\*5 If the wiring distance between the motor and driver is extended to 15 m (49.2 ft.) or longer by using an accessory cable (sold separately), the 24 VDC±4% specification applies.

## Speed – Torque Characteristics fs: Maximum Starting Frequency

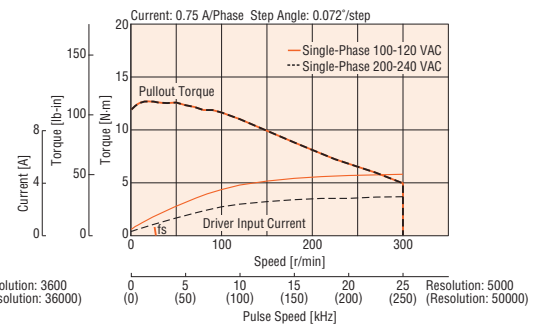
**RKS596 Gear Ratio: 3.6**



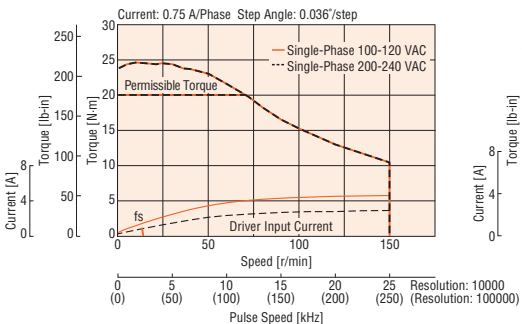
**RKS596 Gear Ratio: 7.2**



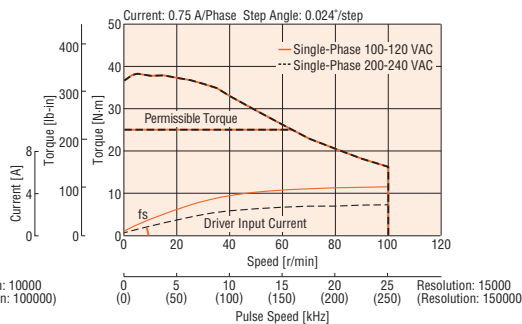
**RKS596 Gear Ratio: 10**



**RKS596 Gear Ratio: 20**



**RKS596 Gear Ratio: 30**



### Note

● Depending on the driving conditions, a considerable amount of heat may be generated by the motor. Be sure to keep the temperature of the motor case under 100°C (212°F).

# PS Geared Type PS Geared Type with Electromagnetic Brake

Frame Size 42 mm (1.65 in.)

## Specifications RoHS



Product Name	Built-in Controller Type Pulse Input Type	RKS545 <span style="border: 1px solid black; border-radius: 50%; padding: 1px;">D-PS5-3</span>	RKS545 <span style="border: 1px solid black; border-radius: 50%; padding: 1px;">D-PS7.2-3</span>	RKS545 <span style="border: 1px solid black; border-radius: 50%; padding: 1px;">D-PS10-3</span>	RKS543 <span style="border: 1px solid black; border-radius: 50%; padding: 1px;">D-PS25-3</span>	RKS543 <span style="border: 1px solid black; border-radius: 50%; padding: 1px;">D-PS36-3</span>	RKS543 <span style="border: 1px solid black; border-radius: 50%; padding: 1px;">D-PS50-3</span>
		RKS545 <span style="border: 1px solid black; border-radius: 50%; padding: 1px;">-PS5-3</span>	RKS545 <span style="border: 1px solid black; border-radius: 50%; padding: 1px;">-PS7.2-3</span>	RKS545 <span style="border: 1px solid black; border-radius: 50%; padding: 1px;">-PS10-3</span>	RKS543 <span style="border: 1px solid black; border-radius: 50%; padding: 1px;">-PS25-3</span>	RKS543 <span style="border: 1px solid black; border-radius: 50%; padding: 1px;">-PS36-3</span>	RKS543 <span style="border: 1px solid black; border-radius: 50%; padding: 1px;">-PS50-3</span>
Maximum Holding Torque	N·m (lb·in)	1 (8.8)	1.5 (13.2)		2.5 (22)	3 (26)	
Rotor Inertia	J : kg·m <sup>2</sup> (oz·in <sup>2</sup> )	64×10 <sup>-7</sup> (0.35) [79×10 <sup>-7</sup> ]*1 (0.43)			30×10 <sup>-7</sup> (0.164) [45×10 <sup>-7</sup> ]*1 (0.25)		
Rated Current	A / Phase	0.35					
Basic Step Angle		0.144°	0.1°	0.072°	0.0288°	0.02°	0.0144°
Gear Ratio		5	7.2	10	25	36	50
Permissible Torque*2	N·m (lb·in)	1 (8.8)	1.5 (13.2)		2.5 (22)	3 (26)	
Maximum Torque*2	N·m (lb·in)	1.5 (13.2)	2 (17.7)		6 (53)		
Holding Torque at Power ON	N·m (lb·in)	0.74 (6.5)	1.07 (9.4)	1.49 (13.1)	1.85 (16.3)	2.6 (23)	3 (26)
Motor Standstill	Electromagnetic Brake	N·m (lb·in)	0.74 (6.5)	1.07 (9.4)	1.49 (13.1)	1.85 (16.3)	2.6 (23)
Permissible Speed Range	r/min	0~600	0~416	0~300	0~120	0~83	0~60
Backlash	arc min	25 (0.42°)					
Power Supply Input	Voltage / Frequency	Single-Phase 100-120 VAC, Single-Phase 200-240 VAC -15~+10% 50/60 Hz					
	Input Current A	Single-Phase 100-120 VAC	1.9			Single-Phase 200-240 VAC	
Excitation Mode		Microstep					
Control Power Supply*3		24 VDC±5% 0.2 A					
Electromagnetic Brake*4	Power Supply Input	24 VDC±5%*5 0.08 A					

● Enter **A** (single shaft), **B** (double shaft) or **M** (electromagnetic brake) where the box   is located within the product name.

Enter **A** (Single-Phase 100-120 VAC) or **C** (Single-Phase 200-240 VAC) where   is located within the product name.

\*1 The values inside the brackets [ ] represent the specification for the electromagnetic brake type.

\*2 Permissible Torque and Maximum Torque shown above is value recorded at the Gear. Refer to Speed – Torque Specification graph for output torque of Geared Motor.

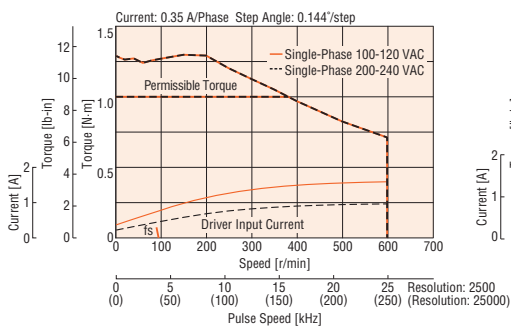
\*3 For Built-in Controller package, the control power supply is required.

\*4 For Pulse Input package, a separate power supply for electromagnetic brakes is required.

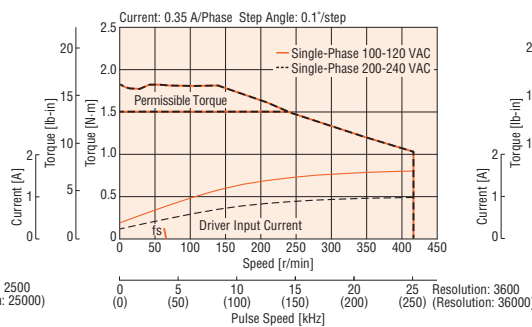
\*5 If the wiring distance between the motor and driver is extended to 15 m (49.2 ft.) or longer by using an accessory cable (sold separately), the 24 VDC±4% specification applies.

## Speed – Torque Characteristics fs: Maximum Starting Frequency

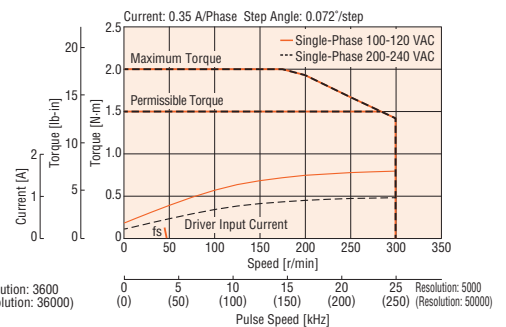
**RKS545 Gear Ratio: 5**



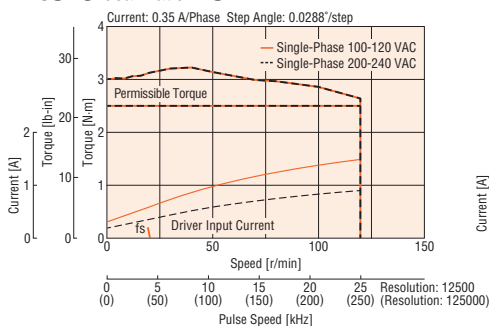
**RKS545 Gear Ratio: 7.2**



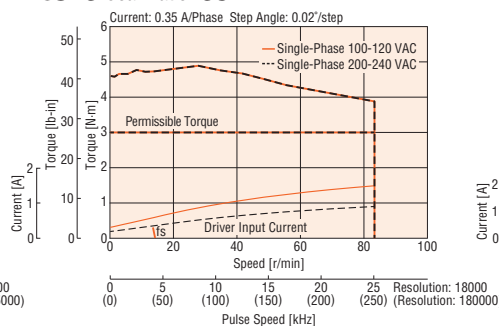
**RKS545 Gear Ratio: 10**



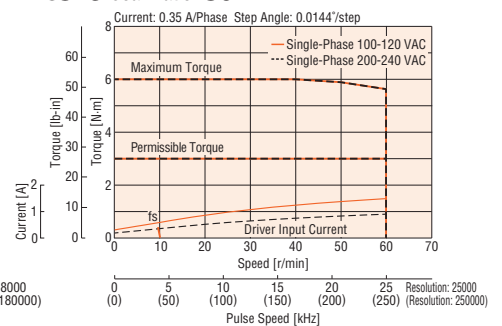
**RKS543 Gear Ratio: 25**



**RKS543 Gear Ratio: 36**



**RKS543 Gear Ratio: 50**



### Note

● Depending on the driving conditions, a considerable amount of heat may be generated by the motor. Be sure to keep the temperature of the motor case under 100°C (212°F).

# PS Geared Type

# PS Geared Type with Electromagnetic Brake

Frame Size 60 mm (2.36 in.)

## Specifications RoHS



Product Name	Built-in Controller Type Pulse Input Type	RKS566 <span style="border: 1px solid black; padding: 0 2px;"> </span> D-PS5-3	RKS566 <span style="border: 1px solid black; padding: 0 2px;"> </span> D-PS7.2-3	RKS566 <span style="border: 1px solid black; padding: 0 2px;"> </span> D-PS10-3	RKS564 <span style="border: 1px solid black; padding: 0 2px;"> </span> D-PS25-3	RKS564 <span style="border: 1px solid black; padding: 0 2px;"> </span> D-PS36-3	RKS564 <span style="border: 1px solid black; padding: 0 2px;"> </span> D-PS50-3
		RKS566 <span style="border: 1px solid black; padding: 0 2px;"> </span> PS5-3	RKS566 <span style="border: 1px solid black; padding: 0 2px;"> </span> PS7.2-3	RKS566 <span style="border: 1px solid black; padding: 0 2px;"> </span> PS10-3	RKS564 <span style="border: 1px solid black; padding: 0 2px;"> </span> PS25-3	RKS564 <span style="border: 1px solid black; padding: 0 2px;"> </span> PS36-3	RKS564 <span style="border: 1px solid black; padding: 0 2px;"> </span> PS50-3
Maximum Holding Torque	N·m (lb·in)	3.5 (30)	4 (35)	5 (44)	8 (70)		
Rotor Inertia	J : kg·m <sup>2</sup> (oz·in <sup>2</sup> )	270×10 <sup>-7</sup> (1.48) [430×10 <sup>-7</sup> ]*1 (2.4)			160×10 <sup>-7</sup> (0.88) [320×10 <sup>-7</sup> ]*1 (1.75)		
Rated Current	A / Phase	0.75					
Basic Step Angle		0.144°	0.1°	0.072°	0.0288°	0.02°	0.0144°
Gear Ratio		5	7.2	10	25	36	50
Permissible Torque*2	N·m (lb·in)	3.5 (30)	4 (35)	5 (44)	8 (70)		
Maximum Torque*2	N·m (lb·in)	7 (61)	9 (79)	11 (97)	16 (141)	20 (177)	
Holding Torque at Power ON	N·m (lb·in)	2.7 (23)	3.9 (34)	5 (44)	7.2 (63)	8 (70)	
Motor Standstill	Electromagnetic Brake	N·m (lb·in)	2.7 (23)	3.9 (34)	5 (44)	7.2 (63)	8 (70)
Permissible Speed Range	r/min	0~600	0~416	0~300	0~120	0~83	0~60
Backlash	arc min	7 (0.12°)			9 (0.15°)		
Power Supply Input	Voltage / Frequency	Single-Phase 100-120 VAC, Single-Phase 200-240 VAC -15~+10% 50/60 Hz					
	Input Current A	3.8			4.0		
Excitation Mode		Microstep					
Control Power Supply*3		24 VDC±5% 0.2 A					
Electromagnetic Brake*4	Power Supply Input	24 VDC±5%*5 0.25 A					

● Enter **A** (single shaft), **B** (double shaft) or **M** (electromagnetic brake) where the box   is located within the product name.

Enter **A** (Single-Phase 100-120 VAC) or **C** (Single-Phase 200-240 VAC) where   is located within the product name.

\*1 The values inside the brackets [ ] represent the specification for the electromagnetic brake type.

\*2 Permissible Torque and Maximum Torque shown above is value recorded at the Gear. Refer to Speed – Torque Specification graph for output torque of Geared Motor.

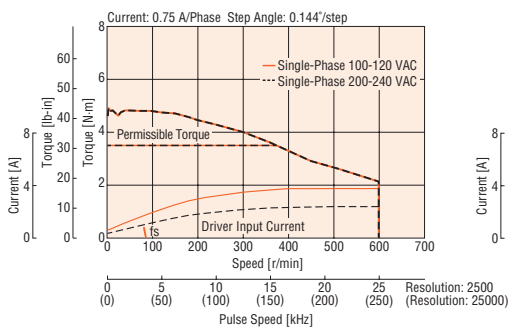
\*3 For Built-in Controller package, the control power supply is required.

\*4 For Pulse Input package, a separate power supply for electromagnetic brakes is required.

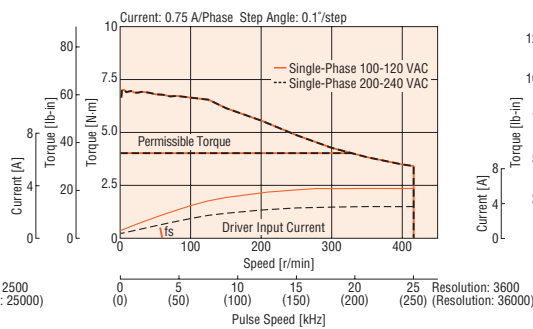
\*5 If the wiring distance between the motor and driver is extended to 15 m (49.2 ft.) or longer by using an accessory cable (sold separately), the 24 VDC±4% specification applies.

## Speed – Torque Characteristics fs: Maximum Starting Frequency

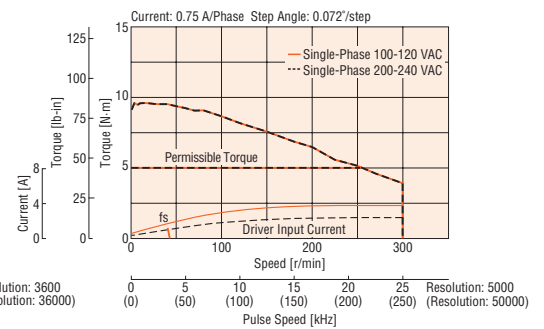
**RKS566 Gear Ratio: 5**



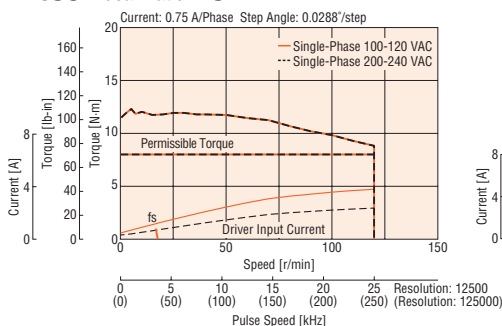
**RKS566 Gear Ratio: 7.2**



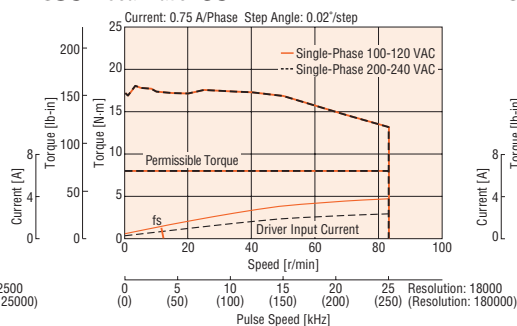
**RKS566 Gear Ratio: 10**



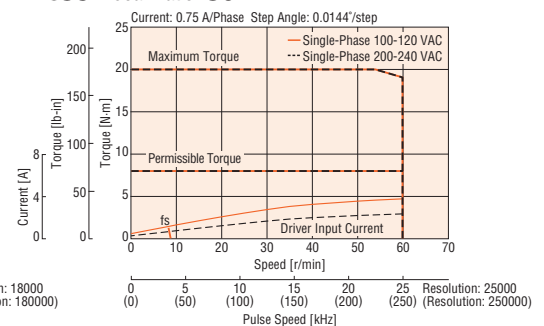
**RKS564 Gear Ratio: 25**



**RKS564 Gear Ratio: 36**



**RKS564 Gear Ratio: 50**



### Note

● Depending on the driving conditions, a considerable amount of heat may be generated by the motor. Be sure to keep the temperature of the motor case under 100°C (212°F).

# PS Geared Type

Frame Size 90 mm (3.54 in.)

# PS Geared Type with Electromagnetic Brake

## Specifications RoHS



Product Name	Built-in Controller Type Pulse Input Type	RKS599 <span style="border: 1px solid black; border-radius: 50%; padding: 1px;">D-PS5-3</span>	RKS599 <span style="border: 1px solid black; border-radius: 50%; padding: 1px;">D-PS7.2-3</span>	RKS599 <span style="border: 1px solid black; border-radius: 50%; padding: 1px;">D-PS10-3</span>	RKS596 <span style="border: 1px solid black; border-radius: 50%; padding: 1px;">D-PS25-3</span>	RKS596 <span style="border: 1px solid black; border-radius: 50%; padding: 1px;">D-PS36-3</span>	RKS596 <span style="border: 1px solid black; border-radius: 50%; padding: 1px;">D-PS50-3</span>
		RKS599 <span style="border: 1px solid black; border-radius: 50%; padding: 1px;">PS5-3</span>	RKS599 <span style="border: 1px solid black; border-radius: 50%; padding: 1px;">PS7.2-3</span>	RKS599 <span style="border: 1px solid black; border-radius: 50%; padding: 1px;">PS10-3</span>	RKS596 <span style="border: 1px solid black; border-radius: 50%; padding: 1px;">PS25-3</span>	RKS596 <span style="border: 1px solid black; border-radius: 50%; padding: 1px;">PS36-3</span>	RKS596 <span style="border: 1px solid black; border-radius: 50%; padding: 1px;">PS50-3</span>
Maximum Holding Torque	N·m (lb·in)	14 (123)	20 (177)		36 (310)	37 (320)	
Rotor Inertia	J : kg·m <sup>2</sup> (oz·in <sup>2</sup> )	2200×10 <sup>-7</sup> (12) [3300×10 <sup>-7</sup> ]*1 (18.1)			1100×10 <sup>-7</sup> (6) [2200×10 <sup>-7</sup> ]*1 (12)		
Rated Current	A / Phase	0.75					
Basic Step Angle		0.144°	0.1°	0.072°	0.0288°	0.02°	0.0144°
Gear Ratio		5	7.2	10	25	36	50
Permissible Torque*2	N·m (lb·in)	14 (123)	20 (177)		37 (320)		
Maximum Torque*2	N·m (lb·in)	28 (240)	35 (300)		56 (490)	60 (530)	
Holding Torque at Power ON	N·m (lb·in)	12.5 (110)	18 (159)	20 (177)	18.5 (163)	26 (230)	37 (320)
Motor Standstill Electromagnetic Brake	N·m (lb·in)	12.5 (110)	18 (159)	20 (177)	18.5 (163)	26 (230)	37 (320)
Permissible Speed Range	r/min	0~300	0~208	0~150	0~120	0~83	0~60
Backlash	arc min	7 (0.12°)			9 (0.15°)		
Power Supply	Voltage / Frequency	Single-Phase 100-120 VAC, Single-Phase 200-240 VAC -15~+10% 50/60 Hz					
Input	Input	Single-Phase 100-120 VAC			Single-Phase 200-240 VAC		
	Current A	3.5			4.9		
Excitation Mode	Input	Single-Phase 100-120 VAC			Single-Phase 200-240 VAC		
	Current A	2.2			3.0		
Control Power Supply*3		Microstep 24 VDC±5% 0.2 A					
Electromagnetic Brake*4	Power Supply Input	24 VDC±5%*5 0.42 A					

● Enter **A** (single shaft), **B** (double shaft) or **M** (electromagnetic brake) where the box   is located within the product name.

Enter **A** (Single-Phase 100-120 VAC) or **C** (Single-Phase 200-240 VAC) where   is located within the product name.

\*1 The values inside the brackets [ ] represent the specification for the electromagnetic brake type.

\*2 Permissible Torque and Maximum Torque shown above is value recorded at the Gear. Refer to Speed – Torque Specification graph for output torque of Geared Motor.

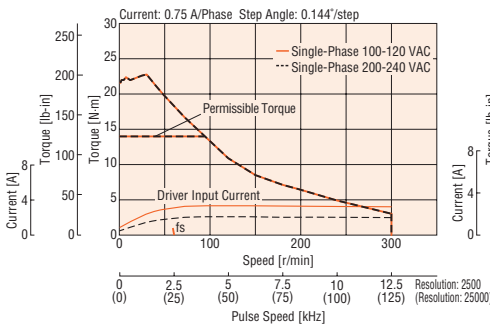
\*3 For Built-in Controller package, the control power supply is required.

\*4 For Pulse Input package, a separate power supply for electromagnetic brakes is required.

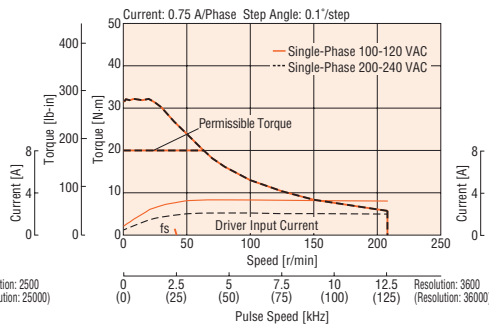
\*5 If the wiring distance between the motor and driver is extended to 15 m (49.2 ft.) or longer by using an accessory cable (sold separately), the 24 VDC±4% specification applies.

## Speed – Torque Characteristics $f_s$ : Maximum Starting Frequency

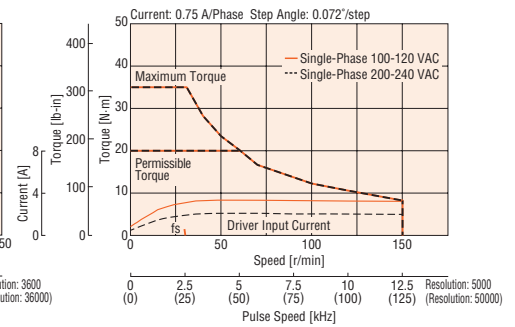
**RKS599 Gear Ratio: 5**



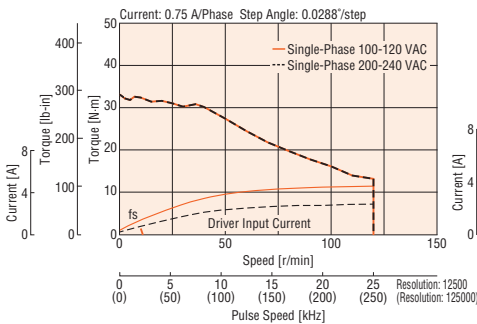
**RKS599 Gear Ratio: 7.2**



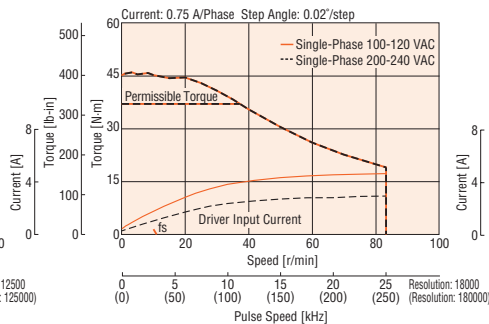
**RKS599 Gear Ratio: 10**



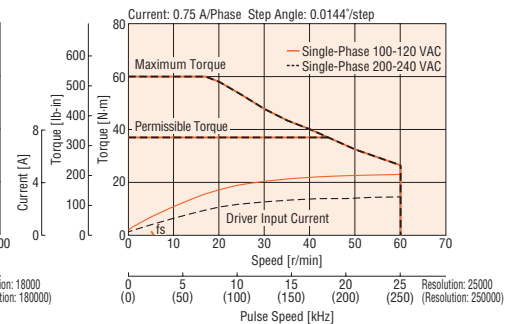
**RKS596 Gear Ratio: 25**



**RKS596 Gear Ratio: 36**



**RKS596 Gear Ratio: 50**



### Note

● Depending on the driving conditions, a considerable amount of heat may be generated by the motor. Be sure to keep the temperature of the motor case under 100°C (212°F).

# Harmonic Geared Type Frame Size 42 mm (1.65 in.), 60 mm (2.36 in.), 90 mm (3.54 in.)

## Harmonic Geared Type with Electromagnetic Brake

### Specifications RoHS



Product Name	Built-in Controller Type Pulse Input Type	RKS543 <span style="border: 1px solid black; padding: 0 2px;">D</span> -HS50-3	RKS543 <span style="border: 1px solid black; padding: 0 2px;">D</span> -HS100-3	RKS564 <span style="border: 1px solid black; padding: 0 2px;">D</span> -HS50-3	RKS564 <span style="border: 1px solid black; padding: 0 2px;">D</span> -HS100-3	RKS596 <span style="border: 1px solid black; padding: 0 2px;">D</span> -HS50-3	RKS596 <span style="border: 1px solid black; padding: 0 2px;">D</span> -HS100-3
		RKS543 <span style="border: 1px solid black; padding: 0 2px;">H</span> -S50-3	RKS543 <span style="border: 1px solid black; padding: 0 2px;">H</span> -S100-3	RKS564 <span style="border: 1px solid black; padding: 0 2px;">H</span> -S50-3	RKS564 <span style="border: 1px solid black; padding: 0 2px;">H</span> -S100-3	RKS596 <span style="border: 1px solid black; padding: 0 2px;">H</span> -S50-3	RKS596 <span style="border: 1px solid black; padding: 0 2px;">H</span> -S100-3
Maximum Holding Torque	N·m (lb·in)	3.5 (30)	5 (44)	7 (61)	10 (88)	33 (290)	52 (460)
Rotor Inertia	J : kg·m <sup>2</sup> (oz·in <sup>2</sup> )	47 × 10 <sup>-7</sup> (0.26) [62 × 10 <sup>-7</sup> ]* <sup>1</sup> (0.34)		195 × 10 <sup>-7</sup> (1.07) [355 × 10 <sup>-7</sup> ]* <sup>1</sup> (1.94)		1300 × 10 <sup>-7</sup> (7.1) [2400 × 10 <sup>-7</sup> ]* <sup>1</sup> (13.1)	
Rated Current	A / Phase	0.35				0.75	
Basic Step Angle		0.0144°	0.072°	0.0144°	0.0072°	0.0144°	0.0072°
Gear Ratio		50	100	50	100	50	100
Permissible Torque		3.5 (30)	5 (44)	7 (61)	10 (88)	33 (290)	52 (460)
Maximum Torque* <sup>2</sup>	N·m (lb·in)	8.3 (73)	11 (97)	23 (200)	36 (310)	73 (640)	107 (940)
Holding Torque at Power ON	N·m (lb·in)	3.5 (30)	5 (44)	7 (61)	10 (88)	33 (290)	52 (460)
Motor Standstill Electromagnetic Brake	N·m (lb·in)	3.5 (30)	5 (44)	7 (61)	10 (88)	33 (290)	52 (460)
Permissible Speed Range	r/min	0~70	0~35	0~70	0~35	0~70	0~35
Lost Motion (Load Torque)	arc min	1.5 maximum (±0.16 N·m)	1.5 maximum (±0.20 N·m)	0.7 maximum (±0.28 N·m)	0.7 maximum (±0.39 N·m)	0.7 maximum (±1.2 N·m)	0.7 maximum (±1.2 N·m)
Power Supply Input	Voltage / Frequency	Single-Phase 100-120 VAC, Single-Phase 200-240 VAC -15~+10% 50/60 Hz					
	Input	2.1		4.0		4.9	
	Current A	1.3		2.4		3.0	
Excitation Mode		Microstep					
Control Power Supply* <sup>3</sup>		24 VDC ±5% 0.2 A					
Electromagnetic Brake* <sup>4</sup>	Power Supply Input	24 VDC ±5%* <sup>5</sup> 0.08 A		24 VDC ±5%* <sup>5</sup> 0.25 A		24 VDC ±5%* <sup>5</sup> 0.42 A	

● Enter **A** (single shaft), **B** (double shaft) or **M** (electromagnetic brake) where the box   is located within the product name.

Enter **A** (Single-Phase 100-120 VAC) or **C** (Single-Phase 200-240 VAC) where   is located within the product name.

\*<sup>1</sup> The values inside the brackets [ ] represent the specification for the electromagnetic brake type.

\*<sup>2</sup> Maximum Torque shown above is value recorded at the Gear. Refer to Speed – Torque Specification graph for output torque of Geared Motor.

\*<sup>3</sup> For Built-in Controller package, the control power supply is required.

\*<sup>4</sup> For Pulse Input package, a separate power supply for electromagnetic brakes is required.

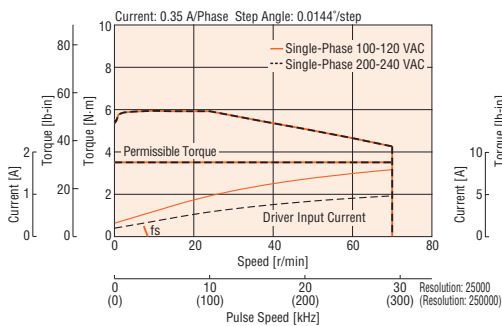
\*<sup>5</sup> If the wiring distance between the motor and driver is extended to 15 m (49.2 ft.) or longer by using an accessory cable (sold separately), the 24 VDC ±4% specification applies.

#### Note

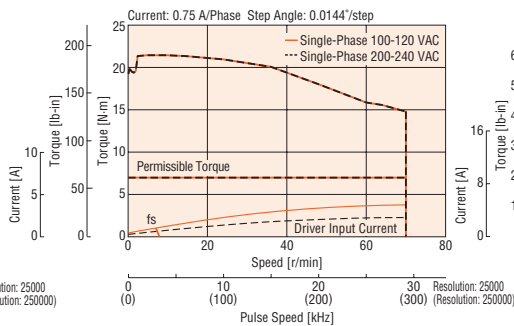
● The rotor inertia represents a sum of the inertia of the harmonic gear converted to a motor shaft value, and the rotor inertia.

### Speed – Torque Characteristics fs: Maximum Starting Frequency

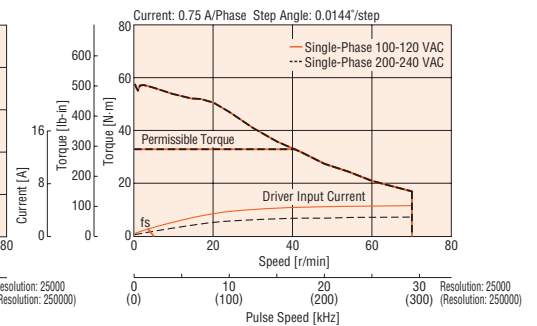
**RKS543 Gear Ratio: 50**



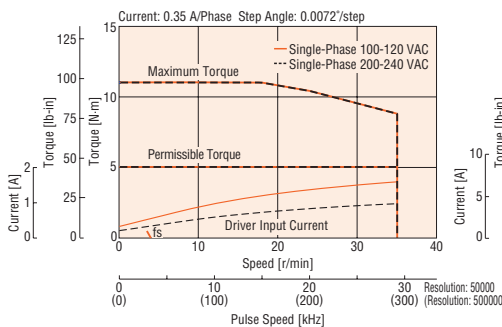
**RKS564 Gear Ratio: 50**



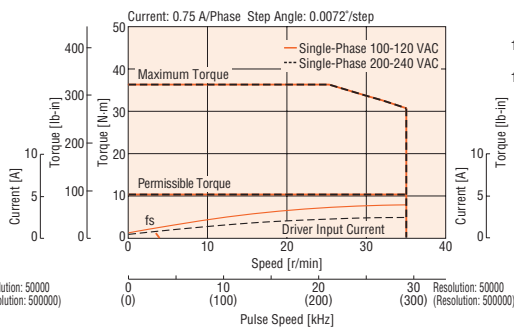
**RKS596 Gear Ratio: 50**



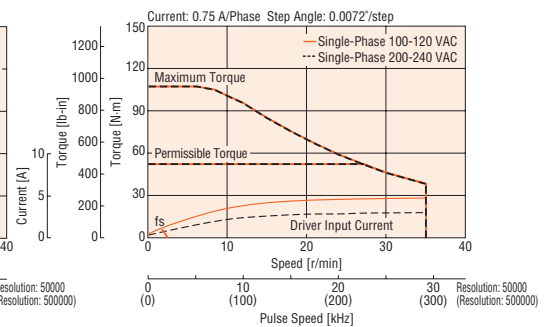
**RKS543 Gear Ratio: 100**



**RKS564 Gear Ratio: 100**



**RKS596 Gear Ratio: 100**



#### Notes

● Depending on the driving conditions, a considerable amount of heat may be generated by the motor. Be sure to keep the temperature of the motor case under 100°C (212°F).

● For the Harmonic Gear operation, be sure to keep the temperature of the gear case under 70°C (158°F) to prevent deterioration of grease applied to the gear.



## Driver Specifications

	Built-in Controller type	Pulse-Input Type
Maximum Input Pulse Frequency	–	Line Driver Output from controller: 500 kHz (at 50% duty) Open-collector Output from controller: 250 kHz (at 50% duty)
Input Signal	Photocoupler input Input signal voltage: 11.4 VDC~26.4 VDC	Photocoupler, Open-collector output: 11.4 VDC~26.4 VDC (AWO, CS, FREE, ALM-RST) Photocoupler, Open-collector output: 3 VDC~5.25 VDC (CW (PLS) +5 V, CCW (DIR) +5 V) Photocoupler, Open-collector output: 21.6 VDC~26.4 VDC (CW (PLS) +24 V, CCW (DIR) +24 V)
Output Signal	Photocoupler Open-collector output External use condition: 30 VDC maximum, 10 mA maximum	Photocoupler Open-collector output External use condition: 30 VDC maximum, 10 mA maximum (READY, ALM, TIM)
Number of Positioning Program	64	–
Positioning Operation	One-shot operation, Linked operation, Linked operation 2, Sequential mode, Direct mode	–
Other Operation	Continuous Operation, JOG Operation, Return-To-Home Operation, Test Operation	–
Control Module <b>OPX-2A</b>	○	–
Data Setting Software <b>MEXE02</b>	○	–

## Built-in Controller (Stored Data) Type RS-485 Communication Specifications

Protocol	Modbus protocol (Modbus RTU mode)
Electrical Characteristics	EIA-485 compliance Twisted-pair wire (TIA/EIA-568B CAT5e or greater recommended) is used up to a total extension length of 50 m.
Sending and Receiving Method	Half-duplex communication Asynchronous mode (data: 8-bit, stop bit: 1-bit/2-bit, parity: none/odd/even)
Baud Rate	9600 bps/19200 bps/38400 bps/57600 bps/115200 bps
Connection Type	Up to 31 units can be connected to one programmable controller (master equipment).

## General Specifications

	Motor	Driver	
		Built-in Controller Type	Pulse Input Type
Heat-Resistant Class	130 (B)	–	
Insulation Resistance	100 MΩ or more when 500 VDC megger is applied between the following places: · Case – Motor windings · Case – Electromagnetic brake windings*1	100 MΩ or more when 500 VDC megger is applied between the following places: · PE terminal – Power supply terminal · Signal I/O terminal – Power supply terminal	
Dielectric Strength	Sufficient to withstand the following for 1 minute: · Case – Motor windings 1.5 kVAC 50 Hz or 60 Hz · Case – Electromagnetic brake windings 1.5 kVAC 50 Hz or 60 Hz*1	Sufficient to withstand the following for 1 minute: · PE terminal – Power supply terminal 1.5 kVAC 50 Hz or 60 Hz · Signal I/O terminal – Power supply terminal 1.8 kVAC 50 Hz or 60 Hz	· PE terminal – Power supply terminal 1.8 kVAC 50 Hz or 60 Hz · Signal I/O terminal – Power supply terminal 1.9 kVAC 50 Hz or 60 Hz
Operating Environment (In Operation)	Ambient Temperature	–10~+50°C (+14~+122°F) (non-freezing): Standard Type, <b>TS</b> and <b>PS</b> Geared Type 0~+50°C (+32~+122°F) (non-freezing): Package with Encoder 0~+40°C (+32~+104°F) (non-freezing): Harmonic geared type	
	Ambient Humidity	85% or less (non-condensing)	
	Atmosphere	No corrosive gases, dust. Avoid contact with water or oil.	
Temperature Rise	Temperature rise of the windings are 80°C (176°F) or less. Measured at rated current, at standstill, five phases energized measured (by the resistance change method).	–	
Degree of Protection	IP20	IP10	IP20
Stop Position Accuracy*3	±3 arc minutes (±0.05°)		
Shaft Runout	0.05 (0.002 in.) T.I.R mm*4	–	
Radial Play*5	0.025 mm (0.001 in.) Max. Load 5 N (1.12 lb.)	–	
Axial Play*6	0.075 mm (0.003 in.) Max. Load 10 N (2.2 lb.)	–	
Concentricity of Installing Pilot to the Shaft	0.075 (0.003 in.) T.I.R mm*4	–	
Perpendicularity of Installation Surface to the Shaft	0.075 (0.003 in.) T.I.R mm*4	–	

\*1 Only for Built-in Controller Package

\*2 When attaching a heat sink 200 mm×200 mm (7.87×7.87)×2 mm (0.08 in.), made from aluminum plate or higher.

\*3 This value is measured at step angle 0.72°, under no load. (The value changes depends on the size of the load.)

\*4 T.I.R. (Total Indicator Reading) : The total dial gauge reading when the measurement section is rotated one revolution centered on the reference axis center.

\*5 Radial Play : Displacement in shaft position in the radial direction, when a 5 N (1.12 lb.) load is applied in the vertical direction to the tip of the motor's shaft.

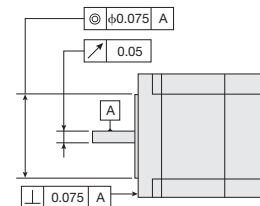
\*6 Axial Play : Displacement in shaft position in the axial direction, when a 10 N (2.2 lb.) load is applied to the motor's shaft in the axial direction.

### Note

● Do not measure insulation resistance or perform the dielectric strength test while the motor and driver are connected.

## Encoder Specifications

Resolution	500 P/R
Output Mode	Incremental
Output Signal	3 channels
Output Circuit Type	Line Driver



# Permissible Radial Load and Permissible Axial Load

Unit = N (lb.)

Type	Frame Size	Product Name	Gear Ratio	Permissible Radial Load					Permissible Axial Load
				Distance from tip of shaft mm (in.)					
				0 (0)	5 (0.2)	10 (0.39)	15 (0.59)	20 (0.79)	
Standard Type	42 mm (1.65 in.)	RKS543	-	35 (7.8)	44 (9.9)	58 (13)	85 (19.1)	-	2.5 (0.56) <3.9 (0.87)> [3.1 (0.69)]
		RKS544							3.1 (0.69) <4.5 (1.01)> [3.7 (0.83)]
		RKS545							3.7 (0.83) <5.1 (1.14)> [4.3 (0.96)]
	60 mm (2.36 in.)	RKS564		90 (20)	100 (22)	130 (29)	180 (40)	270 (66)	6.9 (1.55) <9.8 (2.2)> [7.5 (1.67)]
		RKS566							8.8 (1.98) <11.8 (2.6)> [9.4 (2.1)]
		RKS569							13.7 (3) <16.7 (3.7)> [14.7 (3.3)]
	85 mm (3.35 in.)	RKS596		260 (58)	290 (65)	340 (76)	390 (87)	480 (108)	18.6 (4.1) <26.5 (5.9)> [19.6 (4.4)]
		RKS599							29.4 (6.6) <37.3 (8.3)> [30.4 (6.8)]
		RKS5913							40.2 (9) <48.1 (10.8)> [41.2 (9.2)]
TS Geared Type	42 mm (1.65 in.)	RKS543	3.6, 7.2, 10	20 (4.5)	30 (6.7)	40 (9)	50 (11.2)	-	15 (3.3)
			20, 30	40 (9)	50 (11.2)	60 (13.5)	70 (15.7)	-	
	60 mm (2.36 in.)	RKS564	3.6, 7.2, 10	120 (27)	135 (30)	150 (33)	165 (37)	180 (40)	40 (9)
			20, 30	170 (38)	185 (41)	200 (45)	215 (48)	230 (51)	
	90 mm (3.54 in.)	RKS596	3.6, 7.2, 10	300 (67)	325 (73)	350 (78)	375 (84)	400 (90)	150 (33)
			20, 30	400 (90)	450 (101)	500 (112)	550 (123)	600 (135)	
PS Geared Type	42 mm (1.65 in.)	RKS545	5, 7.2, 10	73 (16.4)	84 (18.9)	100 (22)	123 (27)	-	50 (11.2)
		RKS543	25, 36, 50	109 (24)	127 (28)	150 (33)	184 (41)	-	
	60 mm (2.36 in.)	RKS566	5	200 (45)	220 (49)	250 (56)	280 (63)	320 (72)	100 (22)
			7.2, 10	250 (56)	270 (60)	300 (67)	340 (76)	390 (87)	
	90 mm (3.54 in.)	RKS564	25, 36, 50	330 (74)	360 (81)	400 (90)	450 (101)	520 (117)	300 (67)
		RKS599	5, 7.2, 10	480 (108)	540 (121)	600 (135)	680 (153)	790 (177)	
	RKS596	25	850 (191)	940 (210)	1050 (230)	1190 (260)	1380 (310)		
		36	930 (200)	1030 (230)	1150 (250)	1310 (290)	1520 (340)		
		50	1050 (230)	1160 (260)	1300 (290)	1480 (330)	1710 (380)		
Harmonic Geared Type	42 mm (1.65 in.)	RKS543	50, 100	180 (40)	220 (49)	270 (60)	360 (81)	510 (114)	220 (49)
	60 mm (2.36 in.)	RKS564		320 (72)	370 (83)	440 (99)	550 (123)	720 (162)	450 (101)
	90 mm (3.54 in.)	RKS596		1090 (240)	1150 (250)	1230 (270)	1310 (290)	1410 (310)	1300 (290)

● The values inside the brackets < > represent the specification for the electromagnetic brake type.  
 The values inside the brackets [ ] represent the specification for the encoder type.

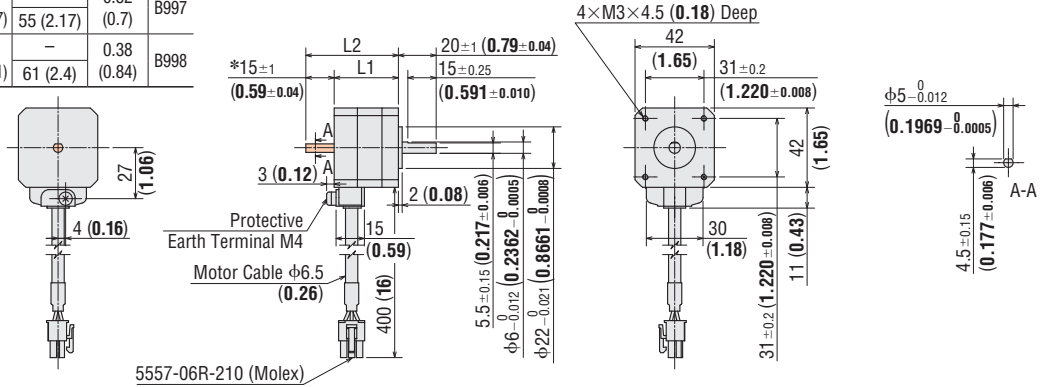
## Dimensions Unit = mm (in.)

### ● Motors

### ◇ Standard Type

Frame Size 42 mm (1.65 in.)

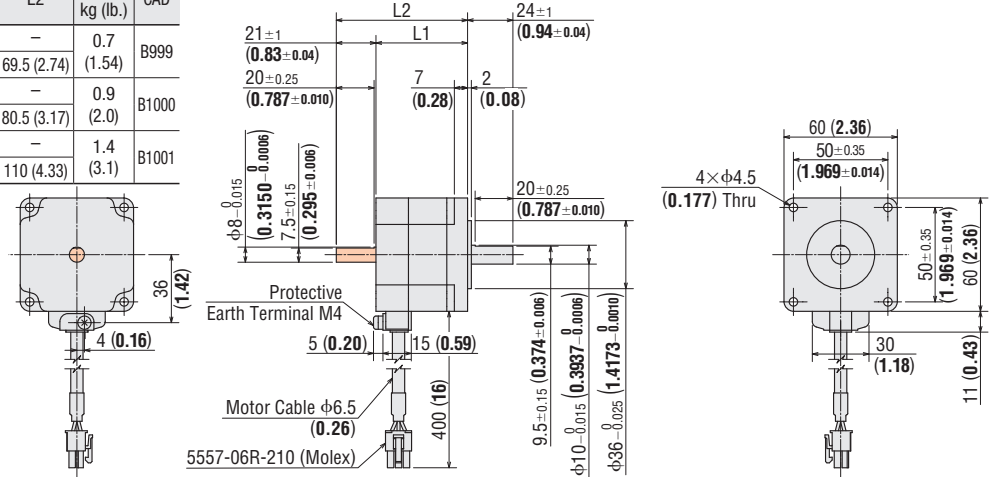
Product Name		Motor Product Name	L1	L2	Mass kg (lb.)	CAD
Built-in Controller	Pulse Input					
<b>RKS543A</b> D-3	<b>RKS543A</b> -3	PKE543AC	34	—	0.26	B996
<b>RKS543B</b> D-3	<b>RKS543B</b> -3	PKE543BC	(1.34) 49 (1.93)		(0.57)	
<b>RKS544A</b> D-3	<b>RKS544A</b> -3	PKE544AC	40	—	0.32	B997
<b>RKS544B</b> D-3	<b>RKS544B</b> -3	PKE544BC	(1.57) 55 (2.17)		(0.7)	
<b>RKS545A</b> D-3	<b>RKS545A</b> -3	PKE545AC	46	—	0.38	B998
<b>RKS545B</b> D-3	<b>RKS545B</b> -3	PKE545BC	(1.81) 61 (2.4)		(0.84)	



\*1 Length of milling cut for double shaft type is 15±0.25 (0.59±0.04)

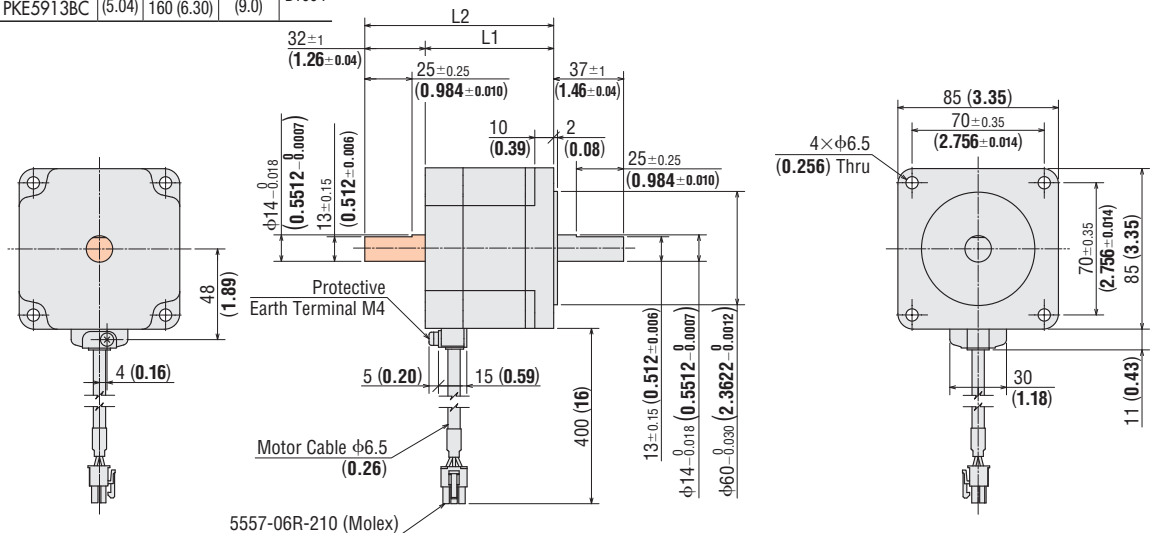
Frame Size 60 mm (2.36 in.)

Product Name		Motor Product Name	L1	L2	Mass kg (lb.)	CAD
Built-in Controller	Pulse Input					
<b>RKS564A</b> D-3	<b>RKS564A</b> -3	PKE564AC	48.5	—	0.7	B999
<b>RKS564B</b> D-3	<b>RKS564B</b> -3	PKE564BC	(1.91) 69.5 (2.74)		(1.54)	
<b>RKS566A</b> D-3	<b>RKS566A</b> -3	PKE566AC	59.5	—	0.9	B1000
<b>RKS566B</b> D-3	<b>RKS566B</b> -3	PKE566BC	(2.34) 80.5 (3.17)		(2.0)	
<b>RKS569A</b> D-3	<b>RKS569A</b> -3	PKE569AC	89	—	1.4	B1001
<b>RKS569B</b> D-3	<b>RKS569B</b> -3	PKE569BC	(3.50) 110 (4.33)		(3.1)	



Frame Size 85 mm (3.35 in.)

Product Name		Motor Product Name	L1	L2	Mass kg (lb.)	CAD
Built-in Controller	Pulse Input					
<b>RKS596A</b> D-3	<b>RKS596A</b> -3	PKE596AC	68	—	1.9	B1002
<b>RKS596B</b> D-3	<b>RKS596B</b> -3	PKE596BC	(2.68) 100 (3.94)		(4.2)	
<b>RKS599A</b> D-3	<b>RKS599A</b> -3	PKE599AC	98	—	3.0	B1003
<b>RKS599B</b> D-3	<b>RKS599B</b> -3	PKE599BC	(3.86) 130 (5.12)		(6.6)	
<b>RKS5913A</b> D-3	<b>RKS5913A</b> -3	PKE5913AC	128	—	4.1	B1004
<b>RKS5913B</b> D-3	<b>RKS5913B</b> -3	PKE5913BC	(5.04) 160 (6.30)		(9.0)	

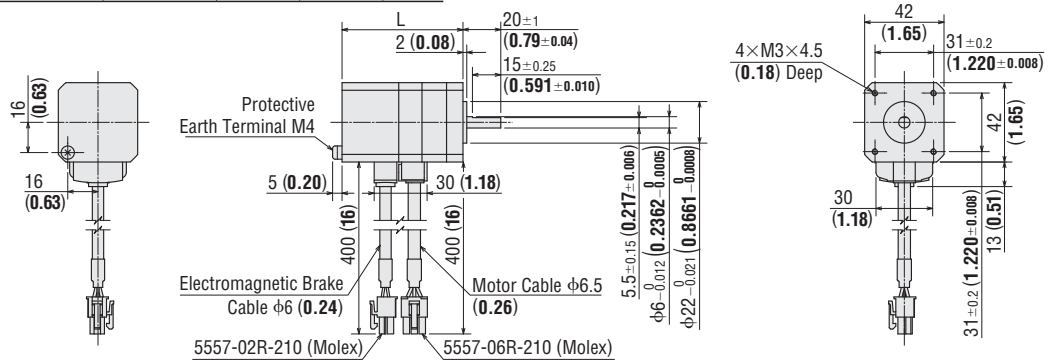


● Enter **A** (Single-Phase 100-120 VAC) or **C** (Single-Phase 200-240 VAC) where **□** is located within the product name.  
 ● These dimensions are for double shaft models. For single shaft models, ignore the **□** areas.

◆ Standard Type with Electromagnetic Brake

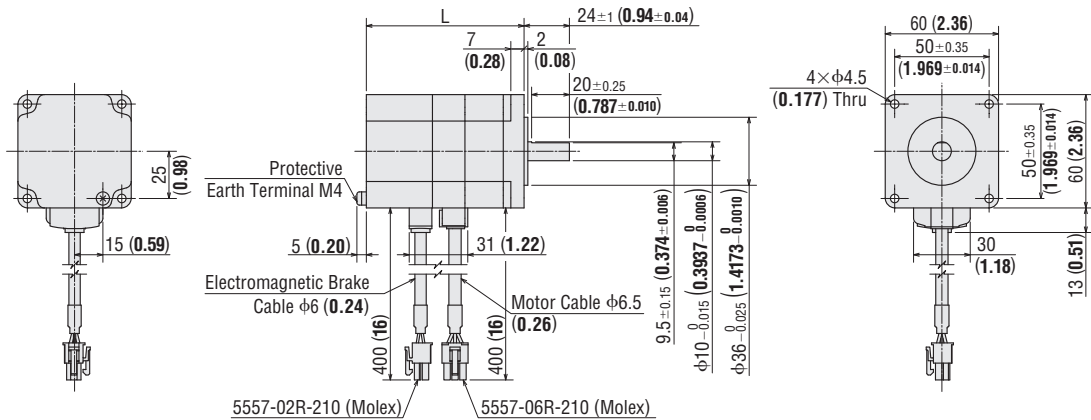
Frame Size 42 mm (1.65 in.)

Product Name		Motor Product Name	L	Mass kg (lb.)	CAD
Built-in Controller	Pulse Input				
<b>RKS543M</b> <span style="border: 1px solid black; padding: 0 2px;">D-3</span>	<b>RKS543M</b> <span style="border: 1px solid black; padding: 0 2px;">-3</span>	PKE543MC	64 (2.52)	0.40 (0.88)	B1005
<b>RKS544M</b> <span style="border: 1px solid black; padding: 0 2px;">D-3</span>	<b>RKS544M</b> <span style="border: 1px solid black; padding: 0 2px;">-3</span>	PKE544MC	70 (2.76)	0.46 (1.01)	B1006
<b>RKS545M</b> <span style="border: 1px solid black; padding: 0 2px;">D-3</span>	<b>RKS545M</b> <span style="border: 1px solid black; padding: 0 2px;">-3</span>	PKE545MC	75 (2.95)	0.52 (1.14)	B1007



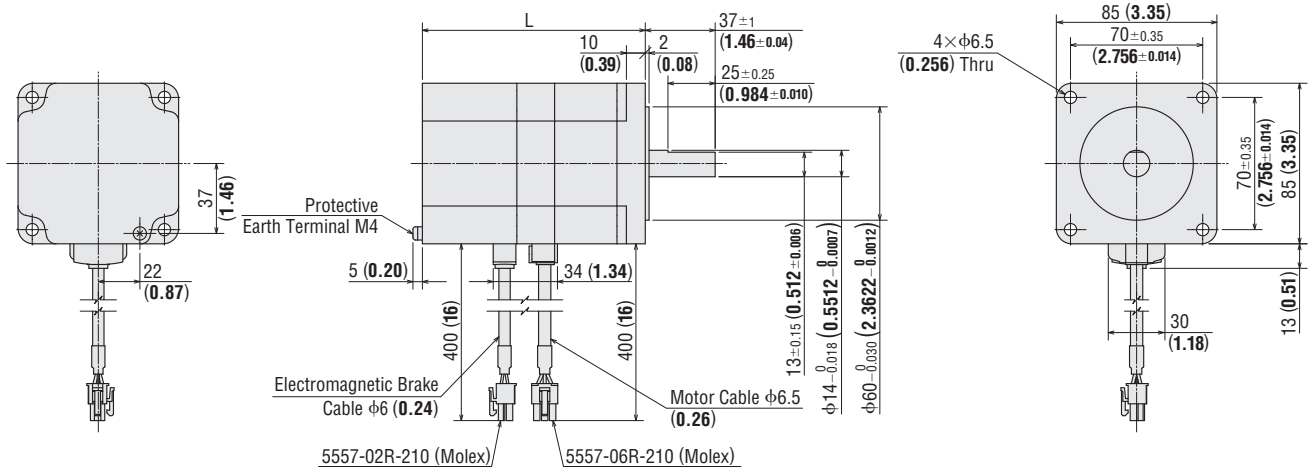
Frame Size 60 mm (2.36 in.)

Product Name		Motor Product Name	L	Mass kg (lb.)	CAD
Built-in Controller	Pulse Input				
<b>RKS564M</b> <span style="border: 1px solid black; padding: 0 2px;">D-3</span>	<b>RKS564M</b> <span style="border: 1px solid black; padding: 0 2px;">-3</span>	PKE564MC	83.5 (3.29)	1.0 (2.2)	B1008
<b>RKS566M</b> <span style="border: 1px solid black; padding: 0 2px;">D-3</span>	<b>RKS566M</b> <span style="border: 1px solid black; padding: 0 2px;">-3</span>	PKE566MC	94.5 (3.72)	1.2 (2.6)	B1009
<b>RKS569M</b> <span style="border: 1px solid black; padding: 0 2px;">D-3</span>	<b>RKS569M</b> <span style="border: 1px solid black; padding: 0 2px;">-3</span>	PKE569MC	124 (4.88)	1.7 (3.7)	B1010



Frame Size 85 mm (3.35 in.)

Product Name		Motor Product Name	L	Mass kg (lb.)	CAD
Built-in Controller	Pulse Input				
<b>RKS596M</b> <span style="border: 1px solid black; padding: 0 2px;">D-3</span>	<b>RKS596M</b> <span style="border: 1px solid black; padding: 0 2px;">-3</span>	PKE596MC	118 (4.65)	2.7 (5.9)	B1011
<b>RKS599M</b> <span style="border: 1px solid black; padding: 0 2px;">D-3</span>	<b>RKS599M</b> <span style="border: 1px solid black; padding: 0 2px;">-3</span>	PKE599MC	148 (5.83)	3.8 (8.4)	B1012
<b>RKS5913M</b> <span style="border: 1px solid black; padding: 0 2px;">D-3</span>	<b>RKS5913M</b> <span style="border: 1px solid black; padding: 0 2px;">-3</span>	PKE5913MC	178 (7.01)	4.9 (10.8)	B1013

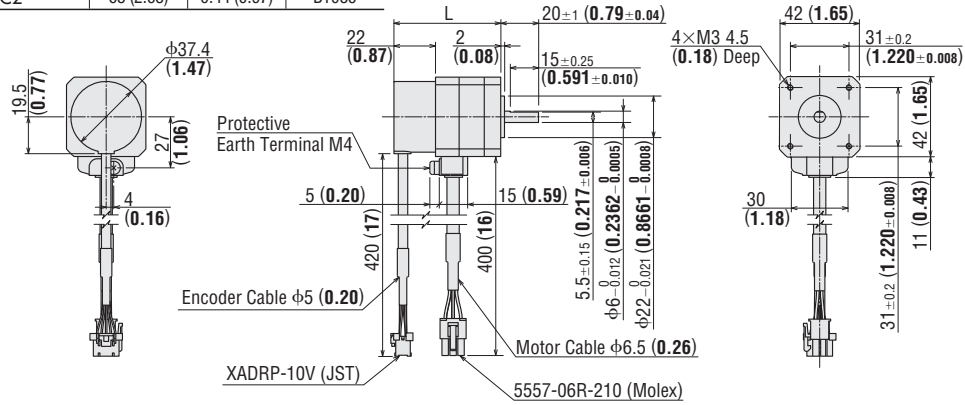


● Enter **A** (Single-Phase 100-120 VAC) or **C** (Single-Phase 200-240 VAC) where   is located within the product name.

◆ Built-in Controller (Stored Data) Type with Encoder

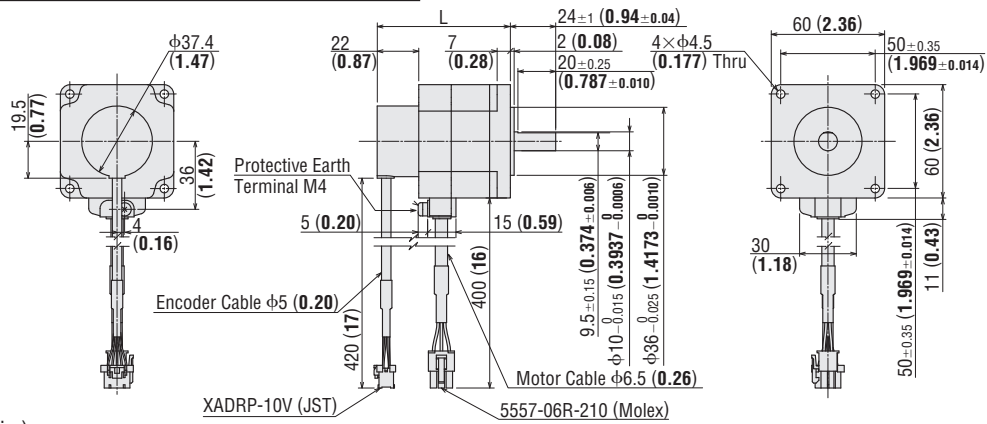
Frame Size 42 mm (1.65 in.)

Product Name	Motor Product Name	L	Mass kg (lb.)	CAD
<b>RKS543R</b> <span style="background-color: #f08080;">■</span> <b>D2-3</b>	PKE543RC2	56 (2.20)	0.32 (0.71)	B1083
<b>RKS544R</b> <span style="background-color: #f08080;">■</span> <b>D2-3</b>	PKE544RC2	62 (2.44)	0.38 (0.84)	B1084
<b>RKS545R</b> <span style="background-color: #f08080;">■</span> <b>D2-3</b>	PKE545RC2	68 (2.68)	0.44 (0.97)	B1085



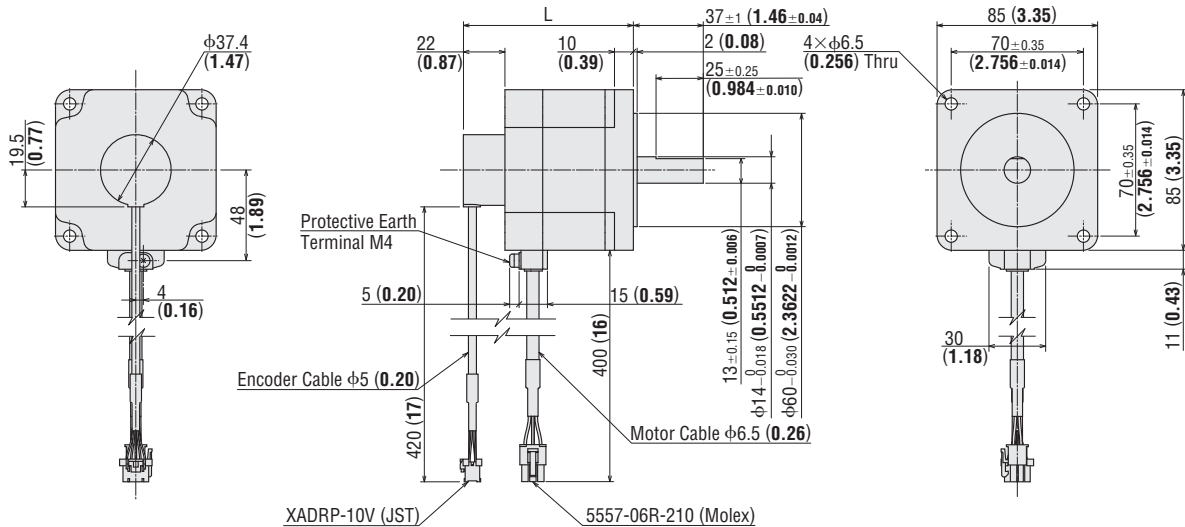
Frame Size 60 mm (2.36 in.)

Product Name	Motor Product Name	L	Mass kg (lb.)	CAD
<b>RKS564R</b> <span style="background-color: #f08080;">■</span> <b>D2-3</b>	PKE564RC2	70.5 (2.78)	0.76 (1.67)	B1086
<b>RKS566R</b> <span style="background-color: #f08080;">■</span> <b>D2-3</b>	PKE566RC2	81.5 (3.21)	0.96 (2.1)	B1087
<b>RKS569R</b> <span style="background-color: #f08080;">■</span> <b>D2-3</b>	PKE569RC2	111 (4.37)	1.5 (3.31)	B1088



Frame Size 85 mm (3.35 in.)

Product Name	Motor Product Name	L	Mass kg (lb.)	CAD
<b>RKS596R</b> <span style="background-color: #f08080;">■</span> <b>D2-3</b>	PKE596RC2	90 (3.54)	2.0 (4.4)	B1089
<b>RKS599R</b> <span style="background-color: #f08080;">■</span> <b>D2-3</b>	PKE599RC2	120 (4.72)	3.1 (6.8)	B1090
<b>RKS5913R</b> <span style="background-color: #f08080;">■</span> <b>D2-3</b>	PKE5913RC2	150 (5.91)	4.2 (9.3)	B1091



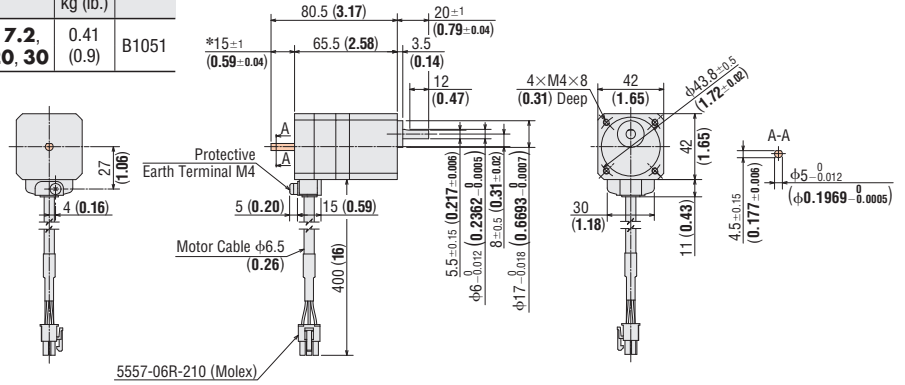
● Enter **A** (Single-Phase 100-120 VAC) or **C** (Single-Phase 200-240 VAC) where ■ is located within the product name.



◆ **TS Geared Type**

Frame Size 42 mm (1.65 in.)

Product Name		Motor Product Name	Gear Ratio	Mass kg (lb.)	CAD
Built-in Controller	Pulse Input				
<b>RKS543A</b> <input type="checkbox"/> <b>D-TS</b> <input type="checkbox"/> <b>3</b>	<b>RKS543A</b> <input type="checkbox"/> <b>-TS</b> <input type="checkbox"/> <b>3</b>	PKE543AC-TS <input type="checkbox"/>	<b>3.6, 7.2,</b>	0.41	B1051
<b>RKS543B</b> <input type="checkbox"/> <b>D-TS</b> <input type="checkbox"/> <b>3</b>	<b>RKS543B</b> <input type="checkbox"/> <b>-TS</b> <input type="checkbox"/> <b>3</b>	PKE543BC-TS <input type="checkbox"/>	<b>10, 20, 30</b>	(0.9)	

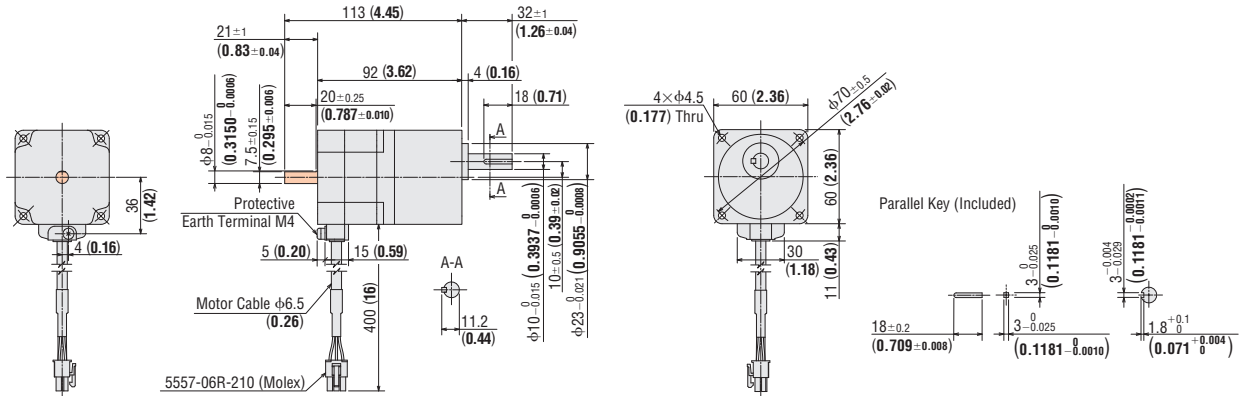


\*1 Length of milling cut for double shaft type is 15±0.25 (0.59±0.04)

Frame Size 60 mm (2.36 in.)

Product Name		Motor Product Name	Gear Ratio	Mass kg (lb.)	CAD
Built-in Controller	Pulse Input				
<b>RKS564A</b> <input type="checkbox"/> <b>D-TS</b> <input type="checkbox"/> <b>3</b>	<b>RKS564A</b> <input type="checkbox"/> <b>-TS</b> <input type="checkbox"/> <b>3</b>	PKE564AC-TS <input type="checkbox"/>	<b>3.6, 7.2,</b>	1.1	B1052
<b>RKS564B</b> <input type="checkbox"/> <b>D-TS</b> <input type="checkbox"/> <b>3</b>	<b>RKS564B</b> <input type="checkbox"/> <b>-TS</b> <input type="checkbox"/> <b>3</b>	PKE564BC-TS <input type="checkbox"/>	<b>10, 20, 30</b>	(2.4)	

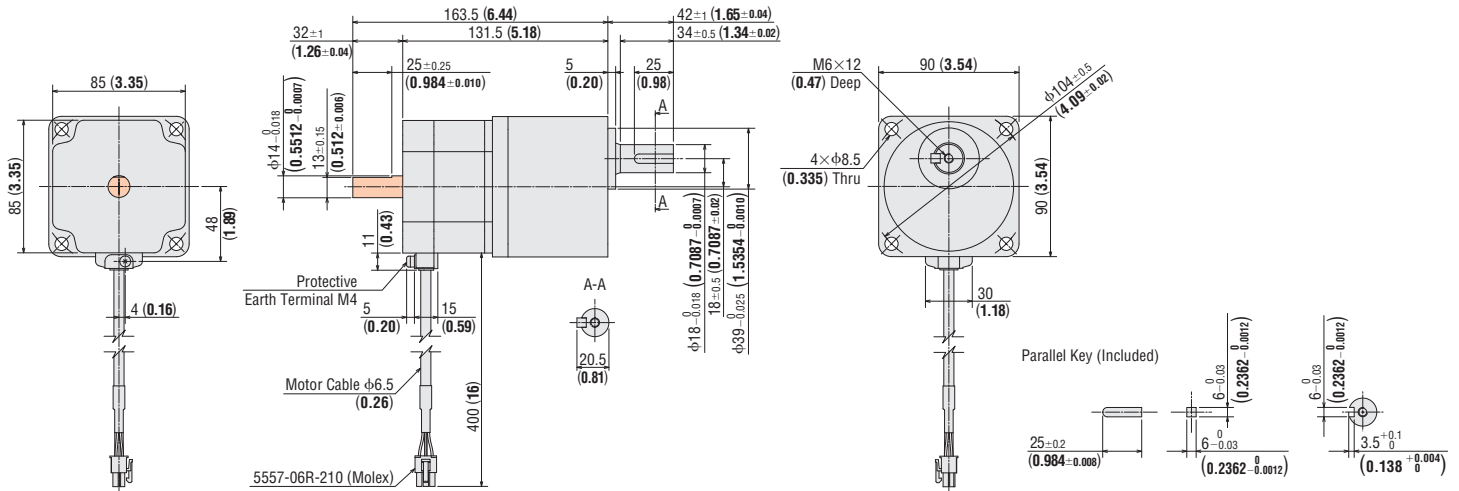
● Mounting Screw: M4×60 P0.7 (4 screws are included with the product)



Frame Size 90 mm (3.54 in.)

Product Name		Motor Product Name	Gear Ratio	Mass kg (lb.)	CAD
Built-in Controller	Pulse Input				
<b>RKS596A</b> <input type="checkbox"/> <b>D-TS</b> <input type="checkbox"/> <b>3</b>	<b>RKS596A</b> <input type="checkbox"/> <b>-TS</b> <input type="checkbox"/> <b>3</b>	PKE596AC-TS <input type="checkbox"/>	<b>3.6, 7.2,</b>	3.1	B1053
<b>RKS596B</b> <input type="checkbox"/> <b>D-TS</b> <input type="checkbox"/> <b>3</b>	<b>RKS596B</b> <input type="checkbox"/> <b>-TS</b> <input type="checkbox"/> <b>3</b>	PKE596BC-TS <input type="checkbox"/>	<b>10, 20, 30</b>	(6.9)	

● Mounting Screw: M8×90 P1.25 (4 screws are included with the product)

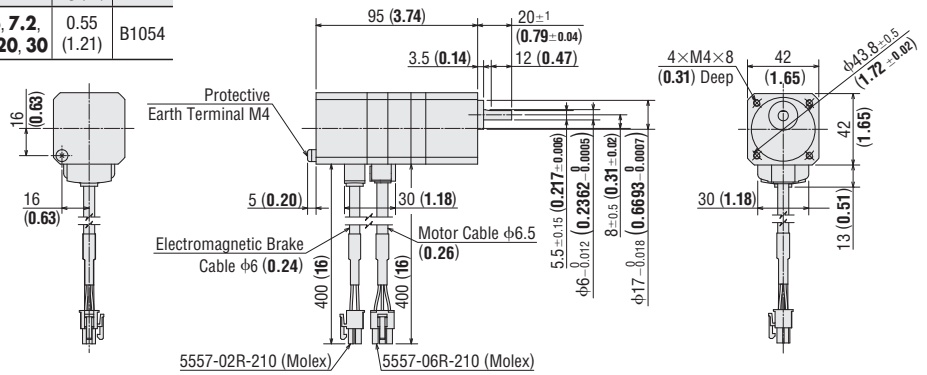


- Enter **A** (Single-Phase 100-120 VAC) or **C** (Single-Phase 200-240 VAC) where  is located within the product name.
- A value indicating the Gear Ratio is entered where the box  is located within the product name.
- These dimensions are for double shaft models. For single shaft models, ignore the  areas.

### ◇ TS Geared Type with Electromagnetic Brake

Frame Size 42 mm (1.65 in.)

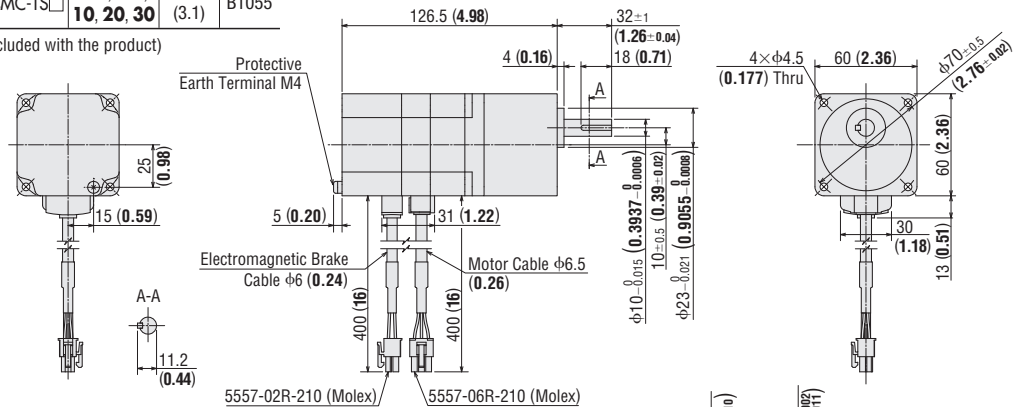
Product Name		Motor Product Name	Gear Ratio	Mass kg (lb.)	CAD
Built-in Controller	Pulse Input				
<b>RKS543M</b> <input type="checkbox"/> TS <input type="checkbox"/> 3	<b>RKS543M</b> <input type="checkbox"/> D-TS <input type="checkbox"/> 3	PKE543MC-TS <input type="checkbox"/>	<b>3.6, 7.2, 10, 20, 30</b>	0.55 (1.21)	B1054



Frame Size 60 mm (2.36 in.)

Product Name		Motor Product Name	Gear Ratio	Mass kg (lb.)	CAD
Built-in Controller	Pulse Input				
<b>RKS564M</b> <input type="checkbox"/> TS <input type="checkbox"/> 3	<b>RKS564M</b> <input type="checkbox"/> D-TS <input type="checkbox"/> 3	PKE564MC-TS <input type="checkbox"/>	<b>3.6, 7.2, 10, 20, 30</b>	1.4 (3.1)	B1055

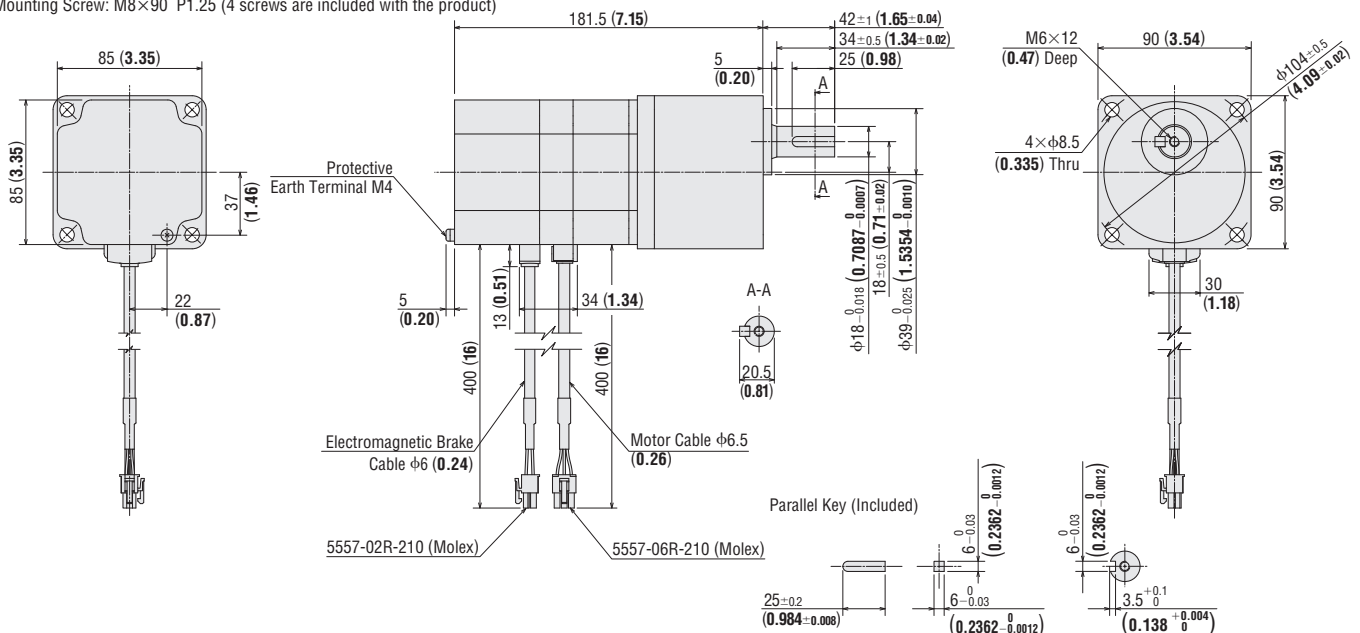
● Mounting Screw: M4×60 P0.7 (4 screws are included with the product)



Frame Size 90 mm (3.54 in.)

Product Name		Motor Product Name	Gear Ratio	Mass kg (lb.)	CAD
Built-in Controller	Pulse Input				
<b>RKS596M</b> <input type="checkbox"/> TS <input type="checkbox"/> 3	<b>RKS596M</b> <input type="checkbox"/> D-TS <input type="checkbox"/> 3	PKE596MC-TS <input type="checkbox"/>	<b>3.6, 7.2, 10, 20, 30</b>	3.9 (8.6)	B1056

● Mounting Screw: M8×90 P1.25 (4 screws are included with the product)



● Enter **A** (Single-Phase 100-120 VAC) or **C** (Single-Phase 200-240 VAC) where  is located within the product name.

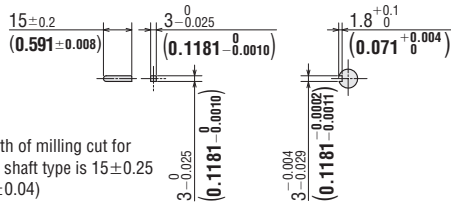
● A value indicating the Gear Ratio is entered where the box  is located within the product name.

## ◆ PS Geared Type

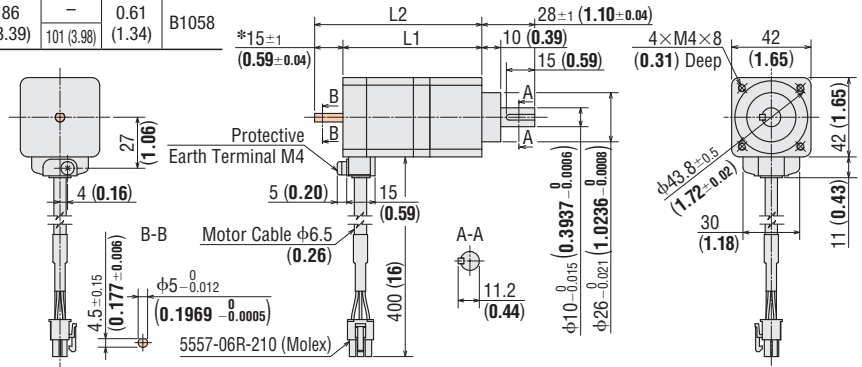
Frame Size 42 mm (1.65 in.)

Product Name		Motor Product Name	Gear Ratio	L1	L2	Mass kg (lb.)	CAD
Built-in Controller	Pulse Input						
<b>RKS545A</b> <input type="checkbox"/> <b>D-PS</b> <input type="checkbox"/> <b>-3</b>	<b>RKS545A</b> <input type="checkbox"/> <b>-PS</b> <input type="checkbox"/> <b>-3</b>	PKE545AC-PS <input type="checkbox"/>	<b>5, 7.2,</b>	73.5	—	0.58	B1057
<b>RKS545B</b> <input type="checkbox"/> <b>D-PS</b> <input type="checkbox"/> <b>-3</b>	<b>RKS545B</b> <input type="checkbox"/> <b>-PS</b> <input type="checkbox"/> <b>-3</b>	PKE545BC-PS <input type="checkbox"/>	<b>10</b>	(2.89)	88.5 (3.43)	(1.28)	
<b>RKS543A</b> <input type="checkbox"/> <b>D-PS</b> <input type="checkbox"/> <b>-3</b>	<b>RKS543A</b> <input type="checkbox"/> <b>-PS</b> <input type="checkbox"/> <b>-3</b>	PKE543AC-PS <input type="checkbox"/>	<b>25, 36,</b>	86	—	0.61	B1058
<b>RKS543B</b> <input type="checkbox"/> <b>D-PS</b> <input type="checkbox"/> <b>-3</b>	<b>RKS543B</b> <input type="checkbox"/> <b>-PS</b> <input type="checkbox"/> <b>-3</b>	PKE543BC-PS <input type="checkbox"/>	<b>50</b>	(3.39)	101 (3.98)	(1.34)	

Parallel Key (Included)



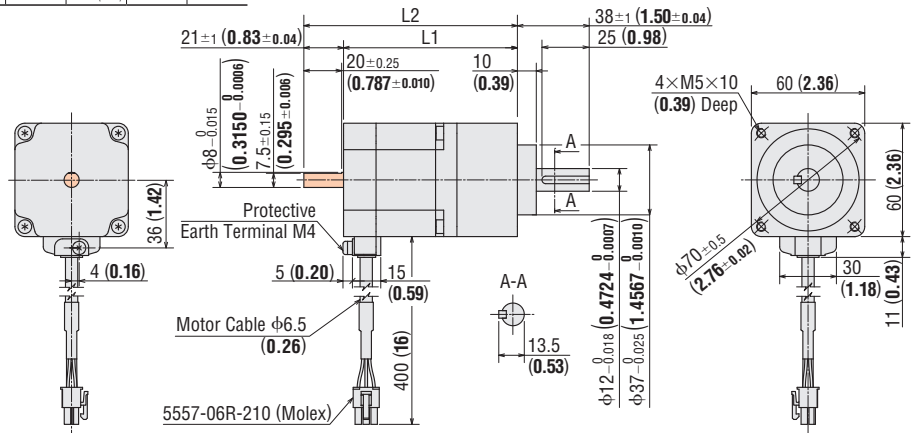
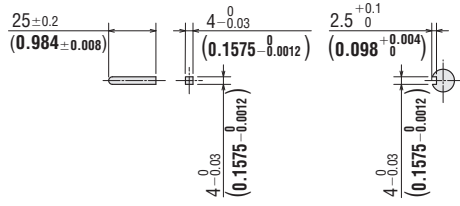
\*1 Length of milling cut for double shaft type is 15±0.25 (0.59±0.04)



Frame Size 60 mm (2.36 in.)

Product Name		Motor Product Name	Gear Ratio	L1	L2	Mass kg (lb.)	CAD
Built-in Controller	Pulse Input						
<b>RKS566A</b> <input type="checkbox"/> <b>D-PS</b> <input type="checkbox"/> <b>-3</b>	<b>RKS566A</b> <input type="checkbox"/> <b>-PS</b> <input type="checkbox"/> <b>-3</b>	PKE566AC-PS <input type="checkbox"/>	<b>5, 7.2,</b>	92	—	1.3	B1059
<b>RKS566B</b> <input type="checkbox"/> <b>D-PS</b> <input type="checkbox"/> <b>-3</b>	<b>RKS566B</b> <input type="checkbox"/> <b>-PS</b> <input type="checkbox"/> <b>-3</b>	PKE566BC-PS <input type="checkbox"/>	<b>10</b>	(3.62)	113 (4.45)	(2.9)	
<b>RKS564A</b> <input type="checkbox"/> <b>D-PS</b> <input type="checkbox"/> <b>-3</b>	<b>RKS564A</b> <input type="checkbox"/> <b>-PS</b> <input type="checkbox"/> <b>-3</b>	PKE564AC-PS <input type="checkbox"/>	<b>25, 36,</b>	101.5	—	1.4	B1060
<b>RKS564B</b> <input type="checkbox"/> <b>D-PS</b> <input type="checkbox"/> <b>-3</b>	<b>RKS564B</b> <input type="checkbox"/> <b>-PS</b> <input type="checkbox"/> <b>-3</b>	PKE564BC-PS <input type="checkbox"/>	<b>50</b>	(4.00)	122.5 (4.82)	(3.1)	

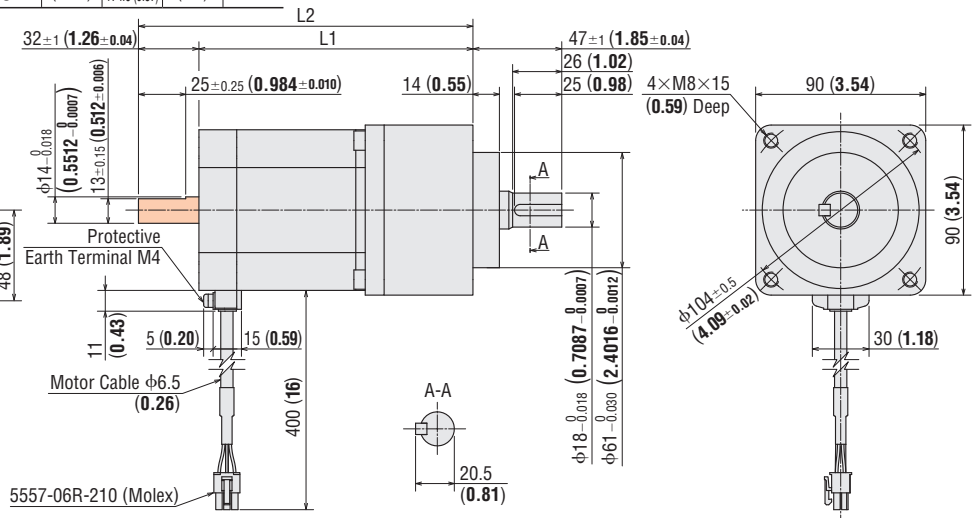
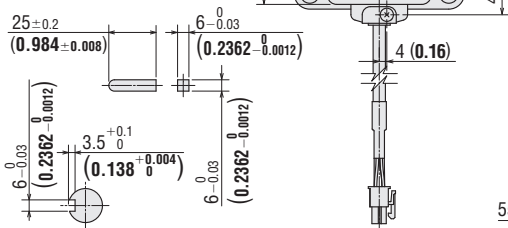
Parallel Key (Included)



Frame Size 90 mm (3.54 in.)

Product Name		Motor Product Name	Gear Ratio	L1	L2	Mass kg (lb.)	CAD
Built-in Controller	Pulse Input						
<b>RKS599A</b> <input type="checkbox"/> <b>D-PS</b> <input type="checkbox"/> <b>-3</b>	<b>RKS599A</b> <input type="checkbox"/> <b>-PS</b> <input type="checkbox"/> <b>-3</b>	PKE599AC-PS <input type="checkbox"/>	<b>5, 7.2,</b>	145	—	4.4	B1061
<b>RKS599B</b> <input type="checkbox"/> <b>D-PS</b> <input type="checkbox"/> <b>-3</b>	<b>RKS599B</b> <input type="checkbox"/> <b>-PS</b> <input type="checkbox"/> <b>-3</b>	PKE599BC-PS <input type="checkbox"/>	<b>10</b>	(5.71)	177 (6.97)	(9.7)	
<b>RKS596A</b> <input type="checkbox"/> <b>D-PS</b> <input type="checkbox"/> <b>-3</b>	<b>RKS596A</b> <input type="checkbox"/> <b>-PS</b> <input type="checkbox"/> <b>-3</b>	PKE596AC-PS <input type="checkbox"/>	<b>25, 36,</b>	142.5	—	4.1	B1062
<b>RKS596B</b> <input type="checkbox"/> <b>D-PS</b> <input type="checkbox"/> <b>-3</b>	<b>RKS596B</b> <input type="checkbox"/> <b>-PS</b> <input type="checkbox"/> <b>-3</b>	PKE596BC-PS <input type="checkbox"/>	<b>50</b>	(5.61)	174.5 (6.87)	(9.0)	

Parallel Key (Included)

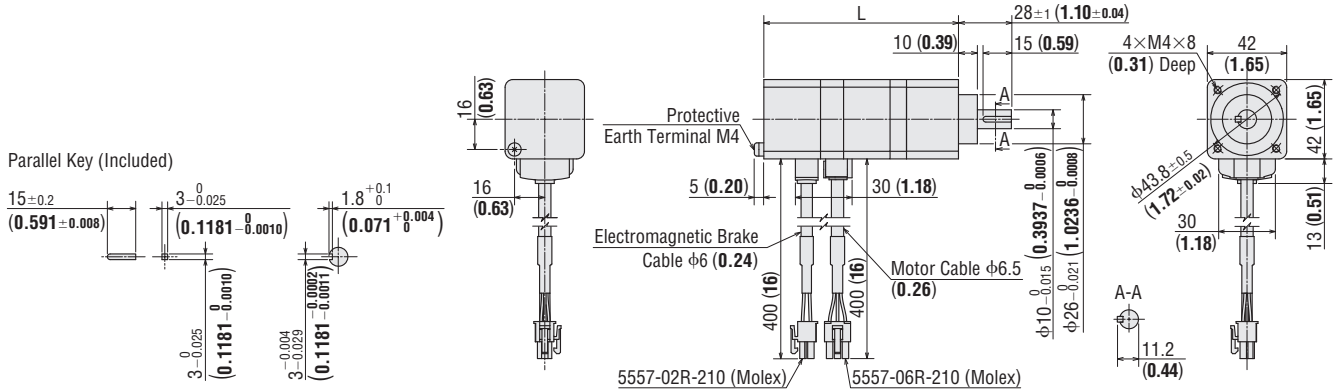


- Enter **A** (Single-Phase 100-120 VAC) or **C** (Single-Phase 200-240 VAC) where  is located within the product name.
- A value indicating the Gear Ratio is entered where the box  is located within the product name.
- These dimensions are for double shaft models. For single shaft models, ignore the  areas.

### ◆ PS Geared Type with Electromagnetic Brake

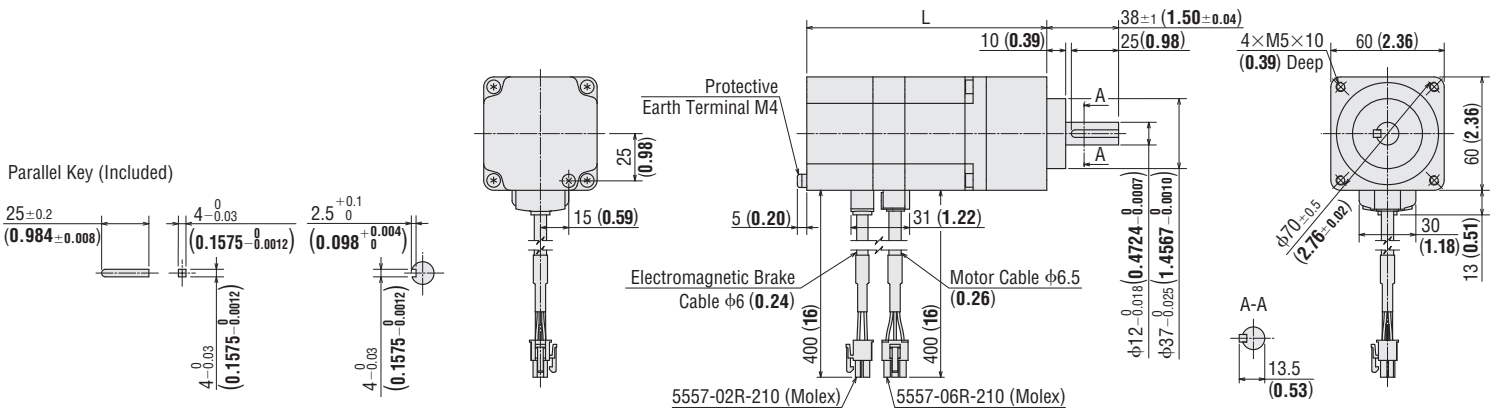
Frame Size 42 mm (1.65 in.)

Product Name		Motor Product Name	Gear Ratio	L	Mass kg (lb.)	CAD
Built-in Controller	Pulse Input					
RKS545M-D-PS□-3	RKS545M-PS□-3	PKE545MC-PS□	5, 7.2, 10	103 (4.06)	0.72 (1.58)	B1063
RKS543M-D-PS□-3	RKS543M-PS□-3	PKE543MC-PS□	25, 36, 50	115.5 (4.55)	0.75 (1.65)	B1064



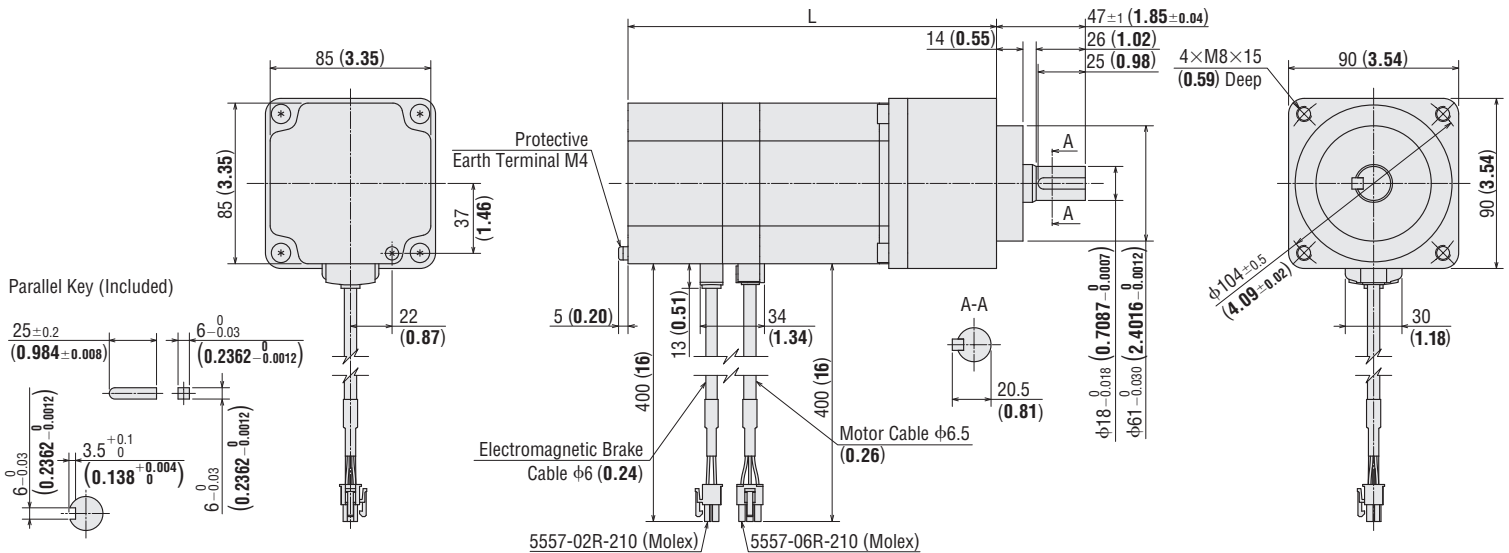
Frame Size 60 mm (2.36 in.)

Product Name		Motor Product Name	Gear Ratio	L	Mass kg (lb.)	CAD
Built-in Controller	Pulse Input					
RKS566M-D-PS□-3	RKS566M-PS□-3	PKE566MC-PS□	5, 7.2, 10	127 (5.0)	1.6 (3.5)	B1065
RKS564M-D-PS□-3	RKS564M-PS□-3	PKE564MC-PS□	25, 36, 50	136 (5.35)	1.7 (3.7)	B1066



Frame Size 90 mm (3.54 in.)

Product Name		Motor Product Name	Gear Ratio	L	Mass kg (lb.)	CAD
Built-in Controller	Pulse Input					
RKS599M-D-PS□-3	RKS599M-PS□-3	PKE599MC-PS□	5, 7.2, 10	195 (7.68)	5.2 (11.4)	B1067
RKS596M-D-PS□-3	RKS596M-PS□-3	PKE596MC-PS□	25, 36, 50	192 (7.56)	4.9 (10.8)	B1068

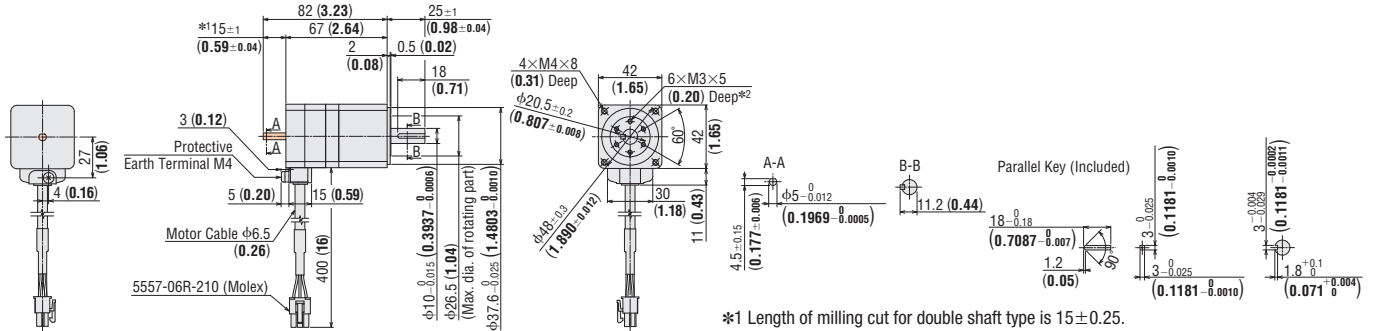


- Enter **A** (Single-Phase 100-120 VAC) or **C** (Single-Phase 200-240 VAC) where □ is located within the product name.
- A value indicating the Gear Ratio is entered where the box □ is located within the product name.

### ◆ Harmonic Geared Type

Frame Size 42 mm (1.65 in.)

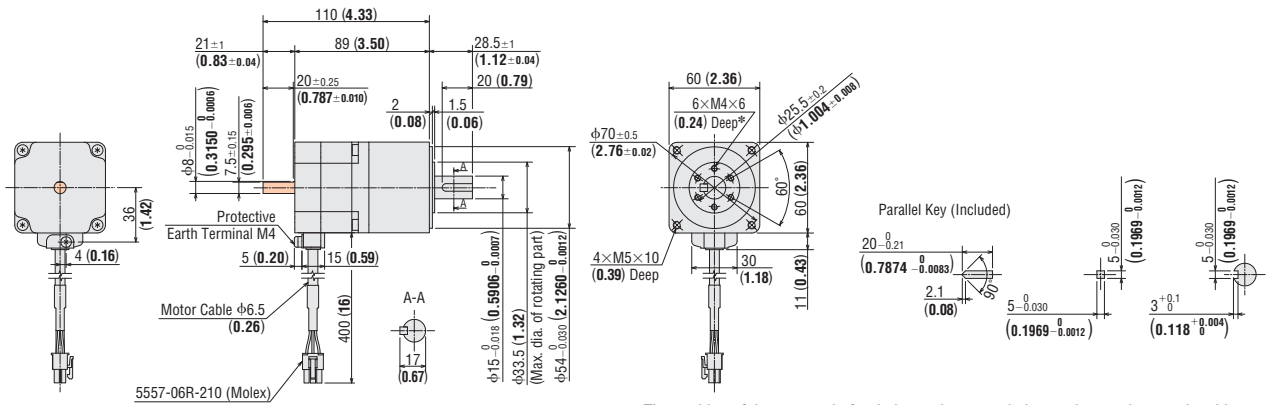
Product Name		Motor Product Name	Gear Ratio	Mass kg (lb.)	CAD
Built-in Controller	Pulse Input				
RKS543A-D-HS-3	RKS543A-HS-3	PKE543AC-HS-□	50, 100	0.47 (1.03)	B1033
RKS543B-D-HS-3	RKS543B-HS-3	PKE543BC-HS-□			



\*1 Length of milling cut for double shaft type is 15 ± 0.25.  
\*2 The position of the output shaft relative to the screw holes on the rotating part is arbitrary.

Frame Size 60 mm (2.36 in.)

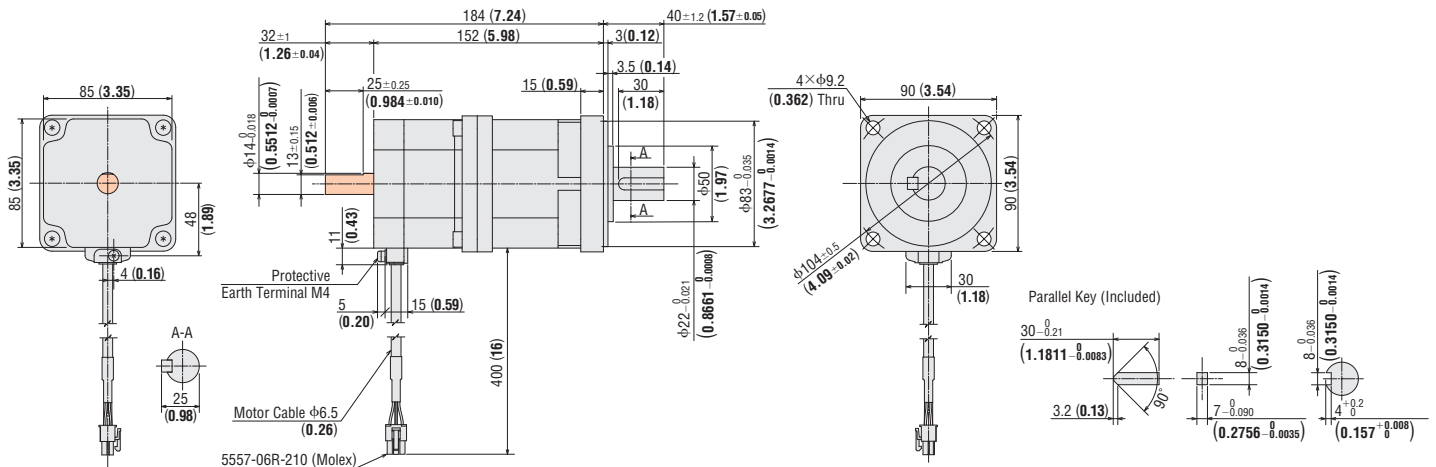
Product Name		Motor Product Name	Gear Ratio	Mass kg (lb.)	CAD
Built-in Controller	Pulse Input				
RKS564A-D-HS-3	RKS564A-HS-3	PKE564AC-HS-□	50, 100	1.2 (2.6)	B1034
RKS564B-D-HS-3	RKS564B-HS-3	PKE564BC-HS-□			



\*The position of the output shaft relative to the screw holes on the rotating part is arbitrary.

Frame Size 90 mm (3.54 in.)

Product Name		Motor Product Name	Gear Ratio	Mass kg (lb.)	CAD
Built-in Controller	Pulse Input				
RKS596A-D-HS-3	RKS596A-HS-3	PKE596AC-HS-□	50, 100	3.9 (8.6)	B1035
RKS596B-D-HS-3	RKS596B-HS-3	PKE596BC-HS-□			



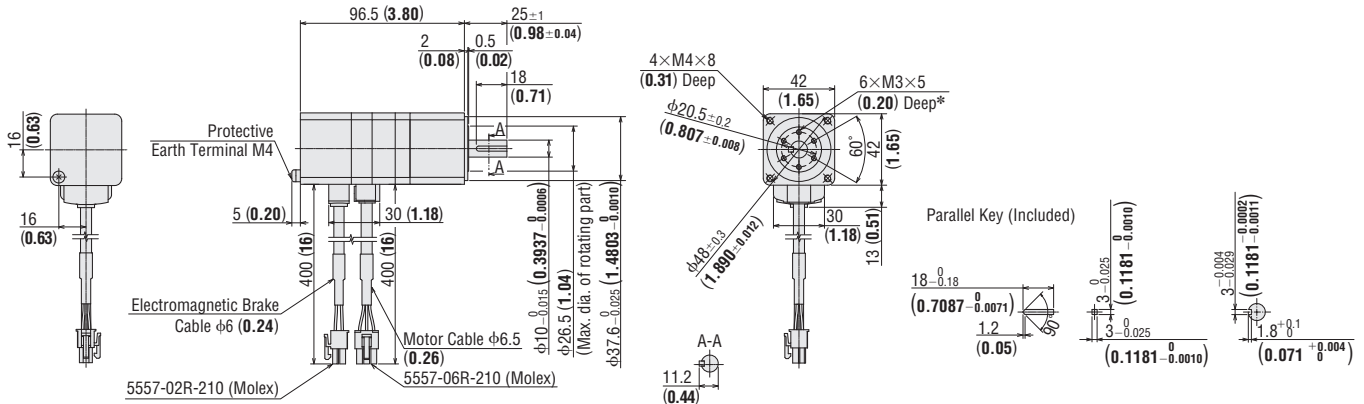
- Enter **A** (Single-Phase 100-120 VAC) or **C** (Single-Phase 200-240 VAC) where   is located within the product name.
- A value indicating the Gear Ratio is entered where the box   is located within the product name.
- These dimensions are for double shaft models. For single shaft models, ignore the  areas.



### ◆ Harmonic Geared Type with Electromagnetic Brake

Frame Size 42 mm (1.65 in.)

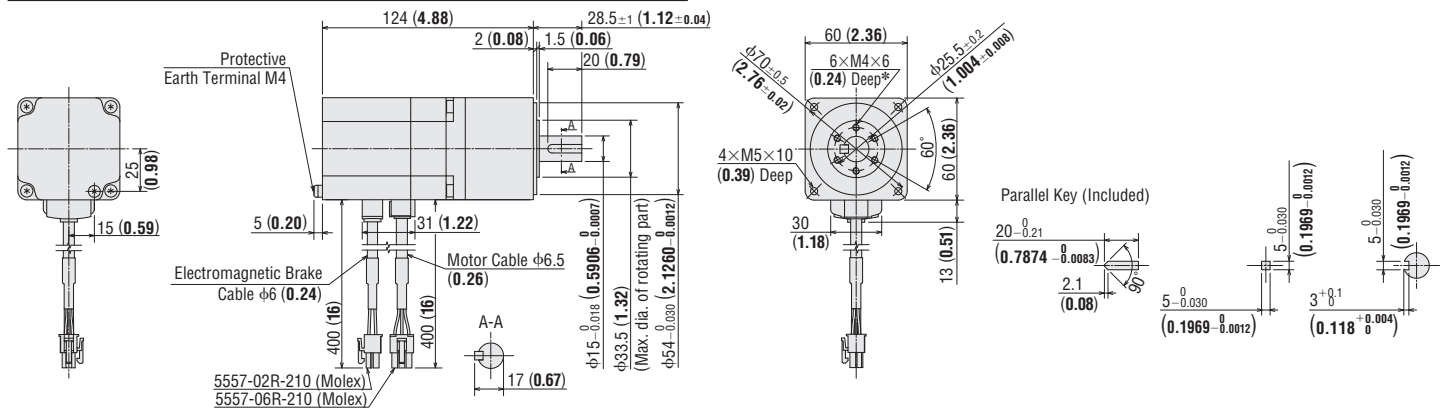
Product Name		Motor Product Name	Gear Ratio	Mass kg (lb.)	CAD
Built-in Controller	Pulse Input				
<b>RKS543M</b> <input type="checkbox"/> <b>D</b> -HS <input type="checkbox"/> -3	<b>RKS543M</b> <input type="checkbox"/> <b>H</b> -HS <input type="checkbox"/> -3	PKE543MC-HS <input type="checkbox"/>	<b>50, 100</b>	0.61 (1.34)	B1036



\*The position of the output shaft relative to the screw holes on the rotating part is arbitrary.

Frame Size 60 mm (2.36 in.)

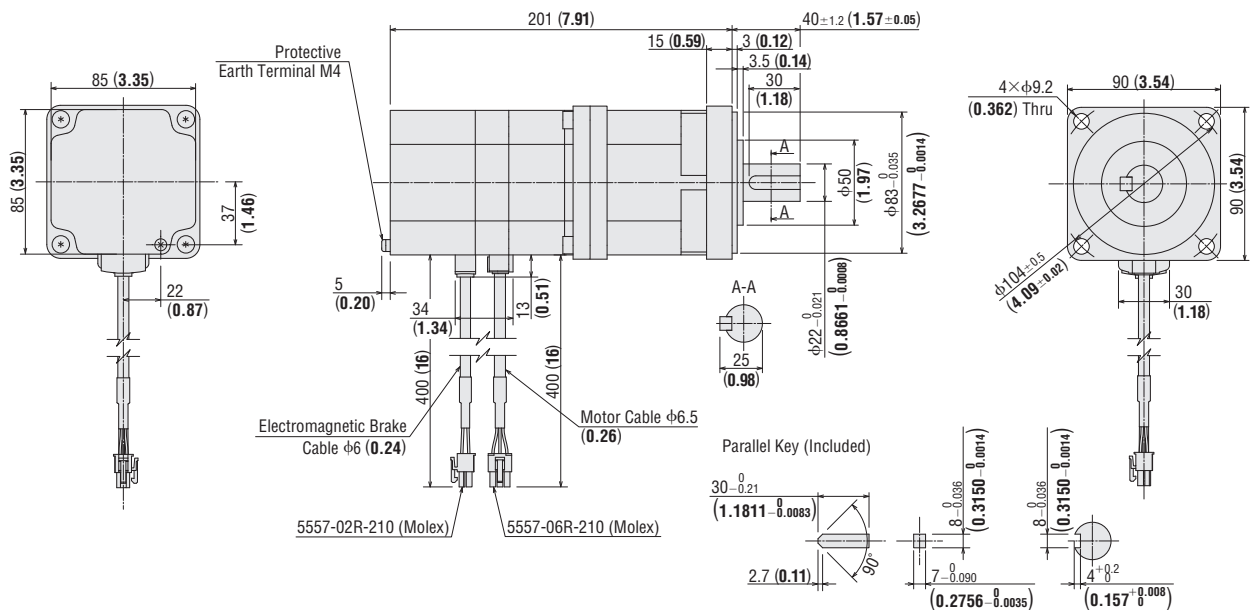
Product Name		Motor Product Name	Gear Ratio	Mass kg (lb.)	CAD
Built-in Controller	Pulse Input				
<b>RKS564M</b> <input type="checkbox"/> <b>D</b> -HS <input type="checkbox"/> -3	<b>RKS564M</b> <input type="checkbox"/> <b>H</b> -HS <input type="checkbox"/> -3	PKE564MC-HS <input type="checkbox"/>	<b>50, 100</b>	1.5 (3.3)	B1037



\*The position of the output shaft relative to the screw holes on the rotating part is arbitrary.

Frame Size 90 mm (3.54 in.)

Product Name		Motor Product Name	Gear Ratio	Mass kg (lb.)	CAD
Built-in Controller	Pulse Input				
<b>RKS596M</b> <input type="checkbox"/> <b>D</b> -HS <input type="checkbox"/> -3	<b>RKS596M</b> <input type="checkbox"/> <b>H</b> -HS <input type="checkbox"/> -3	PKE596MC-HS <input type="checkbox"/>	<b>50, 100</b>	4.8 (10.6)	B1038



● Enter **A** (Single-Phase 100-120 VAC) or **C** (Single-Phase 200-240 VAC) where  is located within the product name.  
 ● A value indicating the Gear Ratio is entered where the box  is located within the product name.

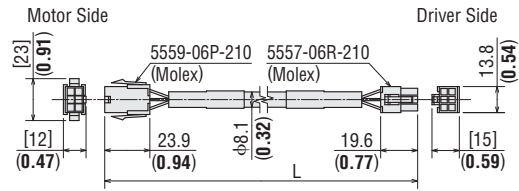
● Cable for Motor (Included), Cable for Electromagnetic Brake (Included), Cable for Encoder (Included)

◇ Only with the Type Supplied with a Connection Cable

Common to All Types

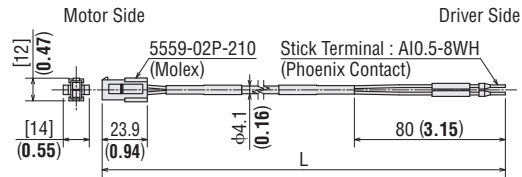
● Cable for Motor

Cable Type	Length L m (ft.)
Cable for Motor	3 (9.8)



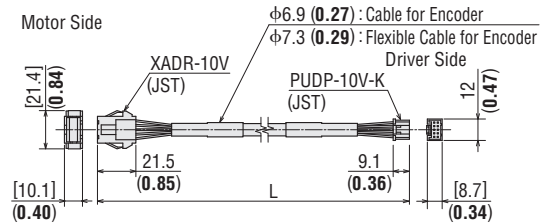
● Cable for Electromagnetic Brake  
(Only for electromagnetic brake type)

Cable for Motor	Length L m (ft.)
Cable for Motor	3 (9.8)



● Cable for Encoder (Only for encoder type)

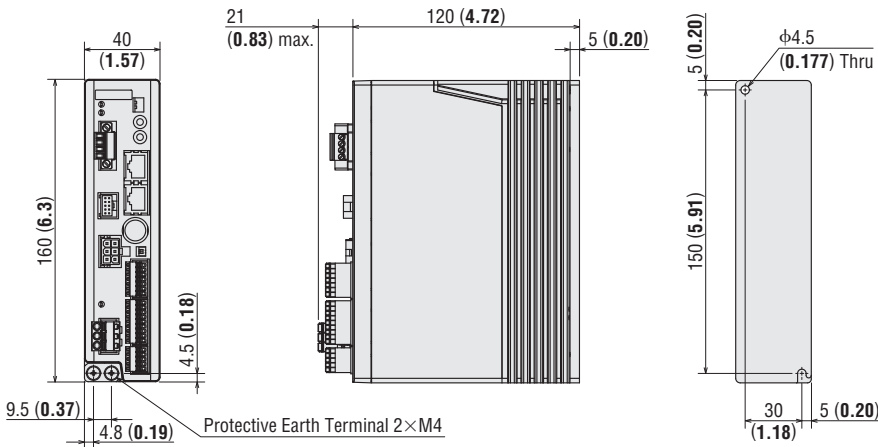
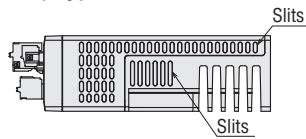
Cable for Motor	Length L m (ft.)
Cable for Motor	3 (9.8)



● Drivers

◇ Built-in Controller (Stored Data) Type

Mass: 0.8 kg (1.76 lb.) CAD B1048

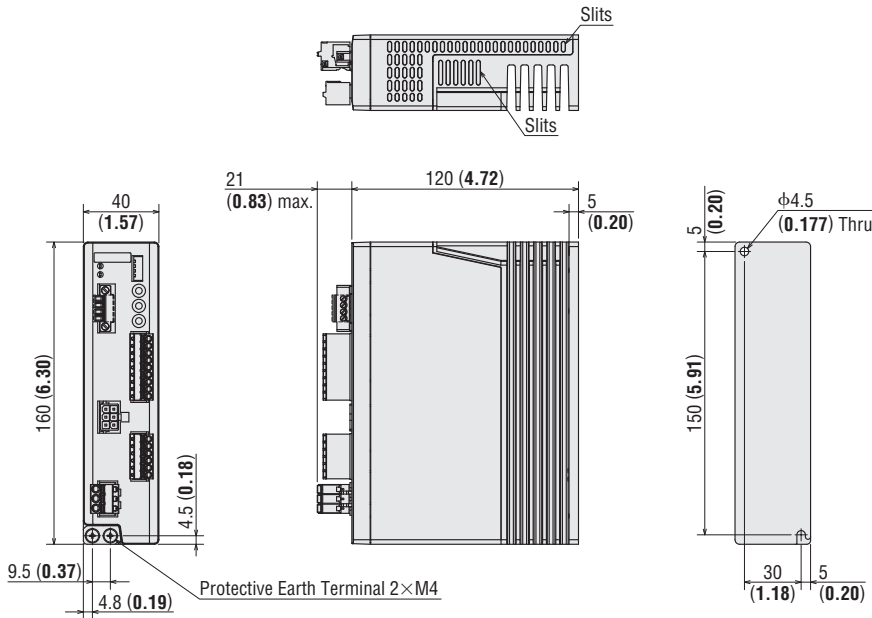


● Accessories

- Connector for Power Input Terminal (CN1)  
Connector: MC1,5/4-STF-3,5 (PHOENIX CONTACT GmbH & Co.,KG.)
- Connector for Sensor Signal (CN5)  
Connector: FK-MC0,5/5-ST-2,5 (PHOENIX CONTACT GmbH & Co.,KG.)
- Connector for Input Signal (CN8)  
Connector: FK-MC0,5/9-ST-2,5 (PHOENIX CONTACT GmbH & Co.,KG.)
- Connector for Output Signal (CN9)  
Connector: FK-MC0,5/7-ST-2,5 (PHOENIX CONTACT GmbH & Co.,KG.)
- Connector for Regeneration Unit/Main Power Supply (CN3)  
Connector: FKCT2,5/3-ST-5,08 (PHOENIX CONTACT GmbH & Co.,KG.)

◇ Pulse Input Type

Mass: 0.8 kg (1.76 lb.) **CAD** Standard Type with Electromagnetic Brake: B1014, Standard Type: B1015

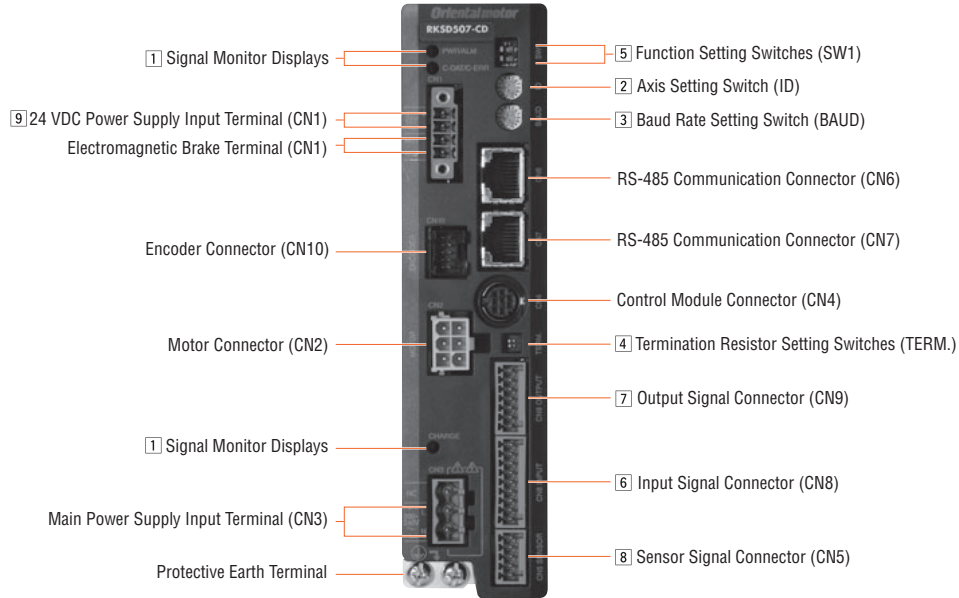


● Included

- I/O Signal Connector (CN5)  
Connector:FK-MCP1,5/9-ST-3,81 (PHOENIX CONTACT GmbH & Co.,KG.)
- Pulse Input Connector (CN4)  
Connector:FK-MCP1,5/6-ST-3,81 (PHOENIX CONTACT GmbH & Co.,KG.)
- Electromagnetic Brake Connection Terminal Connector (CN1)  
Connector:MC1,5/4-STF-3,5 (PHOENIX CONTACT GmbH & Co.,KG.)
- Power Source Input Connector (CN3)  
Connector:FKCT2,5/3-ST-5,08 (PHOENIX CONTACT GmbH & Co.,KG.)
- \* Electromagnetic brake type only

## Connection and Operation (Built-in Controller Type)

### Names and Functions of Driver Parts



#### 1 Signal Monitor Displays

##### ◇ LED Indicators

Indication	Color	Function	When Activated
PWR	Green	Power Supply Indication	Lights when 24 VDC power is on.
ALM	Red	Alarm Indication	Blinks when protective functions are activated.
C-DAT	Green	Communication Indication	Lights when communication data is received or sent.
C-ERR	Red	Communication Error Indication	Lights when there is an error with communication data.
CHARGE	Red	Power On Indication	Lights when main power is supplied.

#### 2 Axis Setting Switch (ID)

Indication	Switch Name	Function
ID	Axis Setting Switch	Set the axis number for RS-485 communication (Factory Setting: 0).

#### 3 Baud Rate Setting Switch (BAUD)

Indication	Switch Name	Function
BAUD	Baud Rate Setting Switch	Set the baud rate for RS-485 communications (Factory Setting: 7).

##### ◇ Setting the Baud Rate for RS-485 Communications

No.	Baud Rate (bps)
0	9600
1	19200
2	38400
3	57600
4	115200
5~6	Not used
7	625000 (Connect to Network Converter)
8~F	Not used

#### 4 Termination Resistor Setting Switches (TERM.)

Indication	No.	Function
TERM.	1	Set the termination resistor (120 Ω) for RS-485 communication (Factory setting: OFF).
	2	OFF : No termination resistor ON : Set the termination resistor

\*Please use the same settings for both No. 1 and No. 2.

#### 5 Function Setting Switches (SW1)

Indication	No.	Function
SW1	1	Set the address number in combination with the address number setting switch (ID) (Factory setting: OFF).
	2	Set the protocol for RS-485 communication (Factory setting: OFF).

#### ◇ RS-485 Communication Protocol Setting

No.	Destination	Connect to Network Converter	Modbus RTU Mode
	2		OFF

#### 6 Input Signal Connector (CN8)

Indication	Pin No.	Signal Name	Initial Value
CN8	1	INO	HOME Perform the return-to-home operation.
	2	IN1	START Perform the positioning operation.
	3	IN2	M0
	4	IN3	M1
	5	IN4	M2
	6	IN5	FREE Stop motor excitation and release the electromagnetic brake.
	7	IN6	STOP Stop the motor.
	8	IN7	ALM-RST Reset the current alarm.

\*Assigned functions are set by means of the parameter settings. The above is the initial value. For details, refer to the User's Manual.

The following input signals can be assigned to input terminals IN0~7.

Input Signal									
0 : Not used	5: SSTART	10: MS2	17: AWO	32: R0	37: R5	42: R10	47: R15	52: M4	
1: FWD	6: +JOG	11: MS3	18: STOP	33: R1	38: R6	43: R11	48: M0	53: M5	
2: RVS	7: -JOG	12: MS4	24: ALM-RST	34: R2	39: R7	44: R12	49: M1		
3: HOME	8: MS0	13: MS5	25: P-PRESET	35: R3	40: R8	45: R13	50: M2		
4: START	9: MS1	16: FREE	27: HMI	36: R4	41: R9	46: R14	51: M3		

#### 7 Output Signal Connector (CN9)

Indication	Pin No.	Signal Name	Initial Value
CN9	1	OUT0	HOME-P Output when the motor is home.
	2	OUT1	MOVE Output while the motor is under operation.
	3	OUT2	AREA1 Output when the motor is in area 1.
	4	OUT3	READY Output when driver operation preparations have finished.
	5	OUT4	WNG The driver's warning status is output.
	6	OUT5	ALM The driver's alarm status is output (Point B).

\*Assigned functions are set by means of the parameter settings. The above is the initial value. For details, refer to the User's Manual.

The following output signals can be assigned to output terminals OUT0~5.

Input Signal									
0: Not used	7: -JOG_R	16: FREE_R	36: R4	43: R11	50: M2_R	63: SLIT_R	73: AREA1	85: ZSG	
1: FWD_R	8: MS0_R	17: AWO_R	37: R5	44: R12	51: M3_R	65: ALM	74: AREA2	86: MBC	
2: RVS_R	9: MS1_R	18: STOP_R	38: R6	45: R13	52: M4_R	66: WNG	75: AREA3		
3: HOME_R	10: MS2_R	32: R0	39: R7	46: R14	53: M5_R	67: READY	80: S-BSY		
4: START_R	11: MS3_R	33: R1	40: R8	47: R15	60: +LS_R	68: MOVE	82: MPS		
5: SSTART_R	12: MS4_R	34: R2	41: R9	48: M0_R	61: -LS_R	70: HOME-P	83: STEP-OUT		
6: +JOG_R	13: MS5_R	35: R3	42: R10	49: M1_R	62: HOMES_R	72: TIM	84: OH		

#### 8 Sensor Signal Connector (CN5)

Indication	Pin No.	Signal Name	Initial Value
CN5	1	+LS	+Side Limit Sensor Input
	2	-LS	-Side Limit Sensor Input
	3	HOMES	Mechanical Home Sensor Input
	4	SLIT	Slit Sensor Input
	5	IN-COM2	Common for Sensor

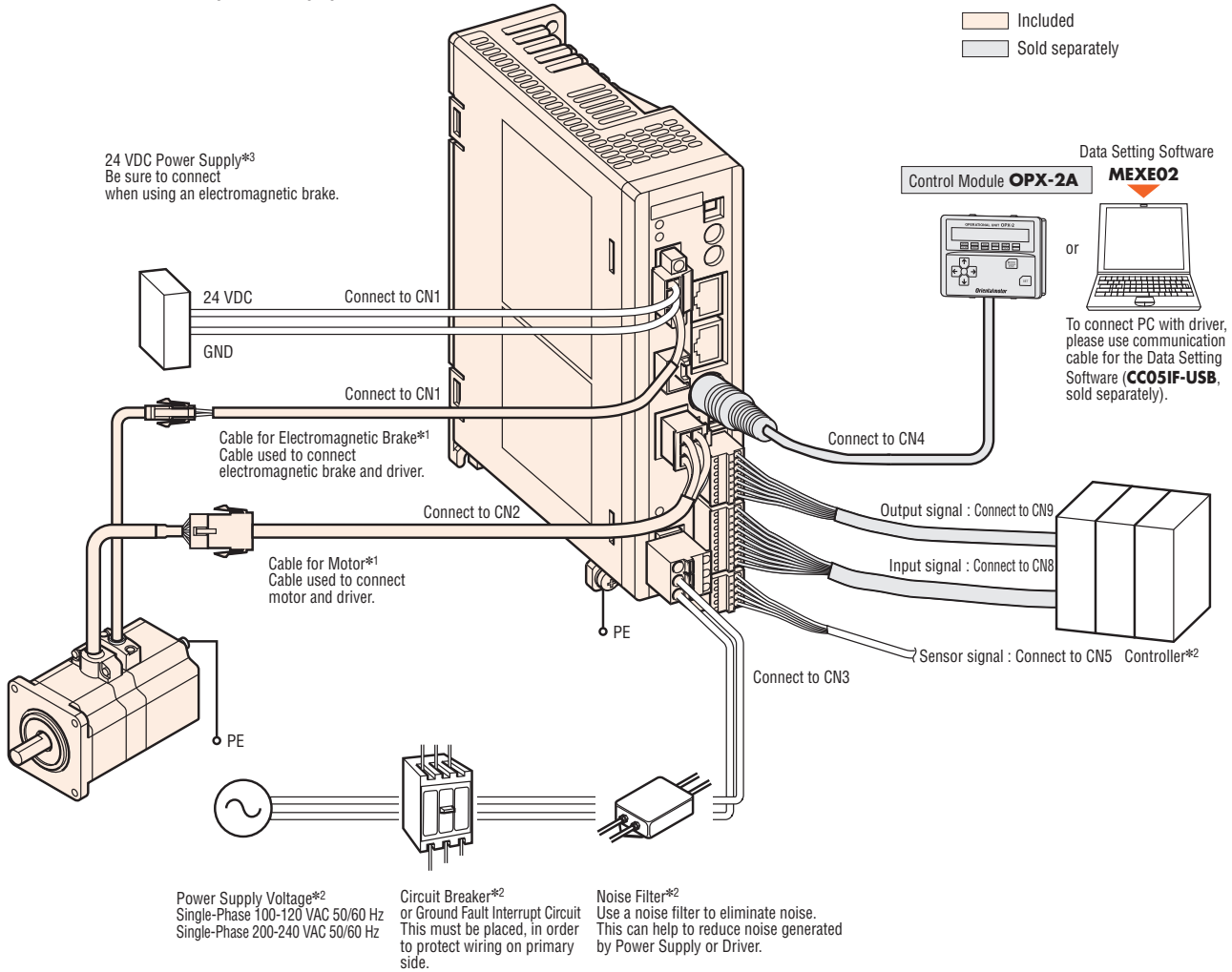
#### 9 24 VDC Input/Electromagnetic Brake Connection Terminal (CN1)

Indication	I/O	Terminal Name	Content
24V+	Input	24 VDC Power Input Terminal +	The power supply for the driver's control circuit terminal. Always connect while operating.
24V-		24 VDC Power Input Terminal -	
MB1	Output	Electromagnetic Brake Connection Terminal -	Connect with the electromagnetic brake line of an electromagnetic brake type motor.
MB2		Electromagnetic Brake Connection Terminal +	



● Connection Diagram

◇ Connection to Peripheral Equipment



\*1 Each product comes with a motor cable 3 m (9.8 ft.) long. Different lengths and flexible cables are available (sold separately).

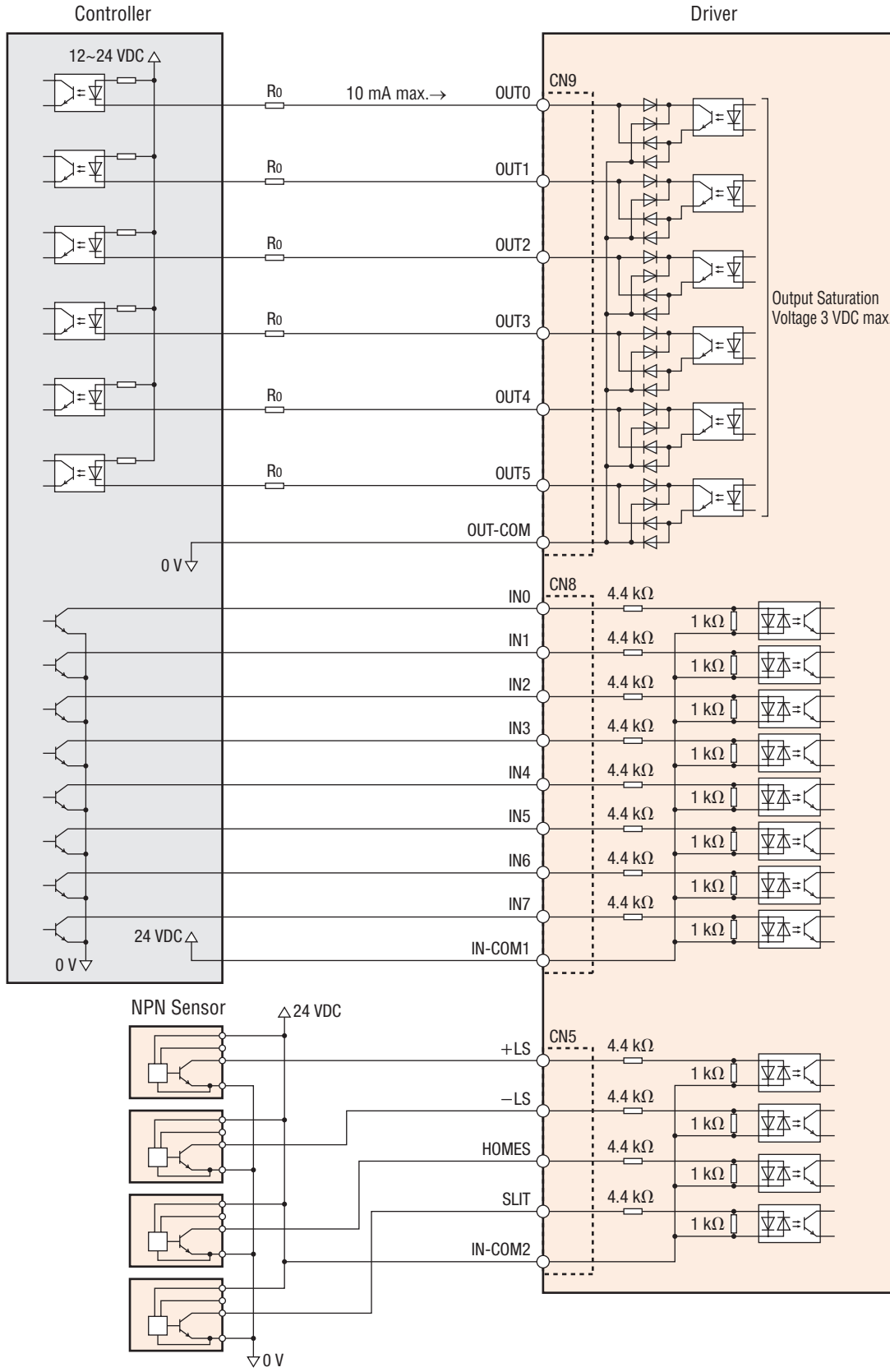
When wiring the motor and the driver, keep a maximum distance of 20 m (65.6 ft.).

\*2 Not Supplied.

\*3 Not Supplied. If the wiring distance between the motor and driver is extended to 15 m (49.2 ft.) or longer by using an accessory cable (sold separately), the 24 VDC±4% specification applies.

◇ Connecting to a Host Controller

● Connecting to a Current Sink Output Circuit

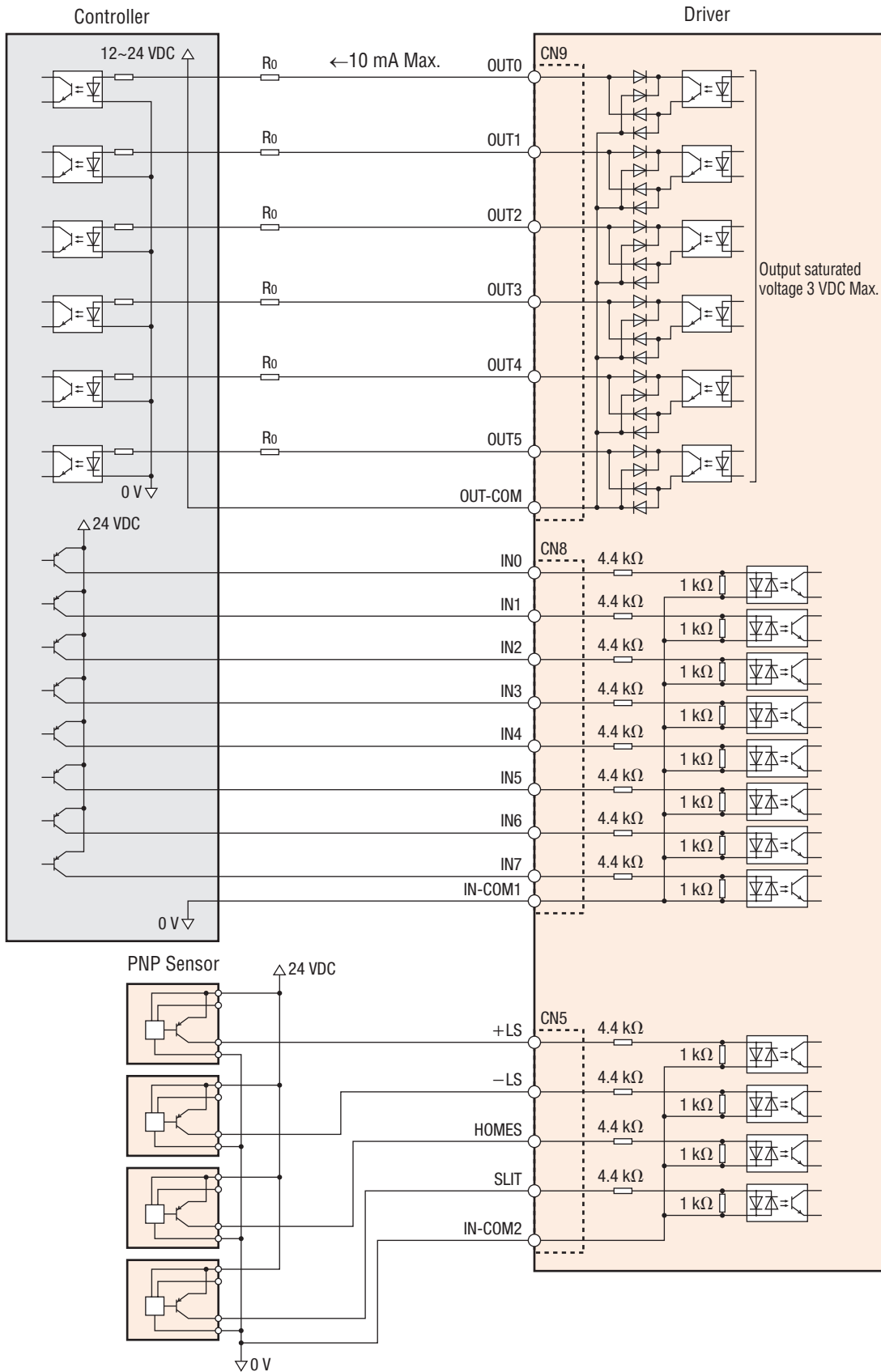


**Notes**

- Use input signals at 24 VDC.
- Use output signals at 26.4 VDC/10 mA or less. If the current exceeds 10 mA, connect an external resistor R0 to adjust current value to less than 10 mA.
- Output saturated voltage should be less than 3 VAC.
- Provide a minimum distance of 100 mm (3.94 in.) between the signal lines and power lines (Power supply lines, motor lines).  
Do not run the signal lines in the same duct as power lines or bundle them with power lines.
- If noise generated by the motor cable or power supply cable causes a problem with the specific wiring or layout, shield the cable or ferrite core.

◇ Connecting to a Host Controller

● Connecting to a Current Source Output Circuit

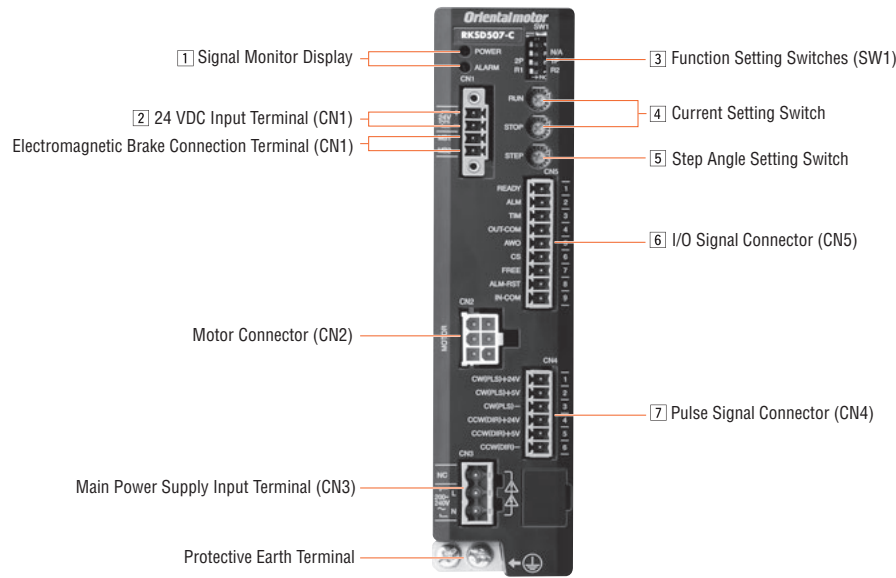


**Notes**

- Use 24 VDC for the input signal.
- Use output signals at 26.4 VDC/10 mA or less. If the current exceeds 10 mA, connect an external resistor  $R_o$  to adjust current value to less than 10 mA.
- Output saturated voltage should be less than 3 VDC.
- Signal lines should be kept at least 100 mm (3.94 in.) away from power lines (power supply lines and motor lines). Do not run the signal lines in the same duct or bundle them together.
- If noise generated by the motor cables or power supply cables causes a problem, try shielding the cables or using ferrite cores.

## Connection and Operation (Pulse Input Type)

### Names and Functions of Driver Parts



#### 1 Signal Monitor Display

##### ◇ LED Indicator

Indication	Color	Function	Lighting Condition
POWER	Green	Power Supply Indication	When the main power supply is input
ALARM	Red	Alarm Indication	Blinks when protective functions are activated

##### ◇ Alarm Contents

Blink Count	Function	Operating Condition	ALM-RST Release by Input	Motor Excitation
2	Main Circuit Overheating	The internal temperature of the driver exceeds 85°C (185°F).	Yes	No holding
3	Overvoltage	The internal voltage of the driver exceeds the permissible value	No	
4	Command Pulse Abnormality	The value of the command pulse becomes abnormal	Yes	
5	Overcurrent	The motor, cable and driver out put circuit shorted out	No	
6	Undervoltage	Power supply is instantaneously shut down Undervoltage	Yes	
7	Automatic Control of Electromagnetic Brake Abnormality	24 VDC power supply is not connected The electromagnetic brake is not connected The electromagnetic brake is mis-wired		
9	Electrolytic Capacitor Abnormality	The electrolytic capacitor of the main circuit is damaged.	No	
	EEPROM Abnormality	The saved data of the driver is damaged.		
Lighting	CPU Abnormality	CPU malfunctions		

#### 2 24 VDC Input Terminals/Electromagnetic Brake Connection Terminals

Indication	I/O	Terminal Name	Content
24 V+	Input	24 VDC Input Terminal +	Connects the 24 VDC power for electromagnetic brake.
24 V-	Input	24 VDC Input Terminal -	
MB1	Input	Electromagnetic Brake Connection Terminal (Black)	Connect the electromagnetic brake wire of the motor with the electromagnetic brake.
MB2	Input	Electromagnetic Brake Connection Terminal (White)	

### 3) Function Setting Switch (SW1)

Indication	No.	Function
R1/R2	1	Sets up the step angle in combination with the step angle setting switch.
2P/1P	2	Switches between 1-pulse input mode and 2-pulse input mode. [2P] for the 2-pulse input mode [1P] for the 1-pulse input mode

### 4) Current Setting Switch

Indication	Switch Name	Function
RUN	Operating Current Setting Switch	Sets the motor's operating current. The current value is set by the ratio of rated output current (%).
STOP	Stop Current Setting Switch	Sets the stopped current of the motor. The current value is set by the ratio of rated output current (%).

### 5) Step Angle Setting Switch

Indication	Function
STEP	Sets up step angle of the motor in combination with the function setting switch (SW1)

Function Setting Switch: R1				Function Setting Switch: R2			
Step Angle Setting Switch (STEP) Scale	Resolution [P/R]	Step Angle [°]	Microsteps/Step	Step Angle Setting Switch (STEP) Scale	Resolution [P/R]	Step Angle [°]	Microsteps/Step
0	500	0.72	1	0	200	1.8	0.4
1	1000	0.36	2	1	400	0.9	0.8
2	1250	0.288	2.5	2	600	0.6	1.2
3	2000	0.18	4	3	800	0.45	1.6
4	2500	0.144	5	4	1200	0.3	2.4
5	4000	0.09	8	5	1600	0.225	3.2
6	5000	0.072	10	6	3200	0.1125	6.4
7	10000	0.036	20	7	6000	0.06	12
8	12500	0.0288	25	8	6400	0.05625	12.8
9	20000	0.018	40	9	7200	0.05	14.4
A	25000	0.0144	50	A	8000	0.045	16
B	40000	0.009	80	B	12000	0.03	24
C	50000	0.0072	100	C	12800	0.028125	25.6
D	62500	0.00576	125	D	16000	0.0225	32
E	100000	0.0036	200	E	25600	0.0140625	51.2
F	125000	0.00288	250	F	200000	0.0018	400

### 6) I/O Signal Connector (CN5)

Indication	I/O	Pin Number	Content
READY	Output	1	Outputs when operation of the driver has been prepared.
ALM		2	Output alarm status of the driver (B contact).
TIM		3	Outputs when excitation state of the motor is at step "0" position.
OUT-COM		4	Output common
AWO	Input	5	Stops excitation of the motor.
CS		6	Switches the step angle.
FREE		7	Stops excitation of the motor. With electromagnetic brake type, the electromagnetic brake is also released.
ALM-RST		8	Resets the current alarm.
IN-COM		9	Input common

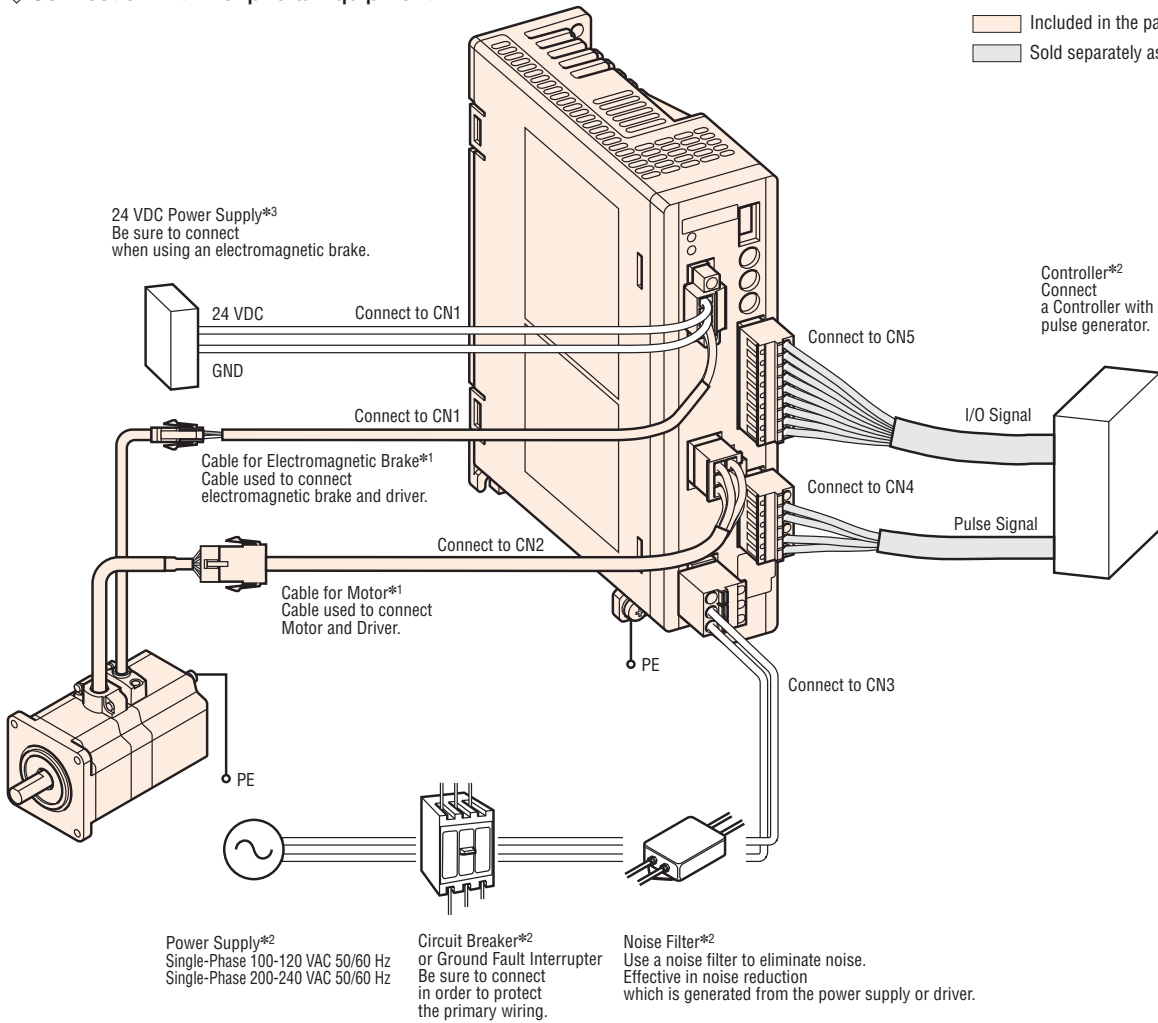
### 7) Pulse Signal Connector (CN4)

Indication	Pin Number	Content
CW (PLS) +24 V	1	CW Pulse Input (Pulse Input) [+24 V]
CW (PLS) +5 V	2	CW Pulse Input (Pulse Input)
CW (PLS) -	3	[+5 V or line driver]
CCW (DIR) +24 V	4	CCW Pulse Input (Rotation Direction Input) [+24 V]
CCW (DIR) +5 V	5	CCW Pulse Input (Rotation Direction Input)
CCW (DIR) -	6	[+5 V or line driver]

● Connection Diagram

◇ Connection with Peripheral Equipment

Included in the package.  
 Sold separately as Accessories.



\*1 Each product comes with a motor cable 3 m (9.8 ft.) long. Different lengths and flexible cables are available (sold separately).

When wiring the motor and the driver, keep a maximum distance of 20 m (65.6 ft.).

\*2 Not Supplied.

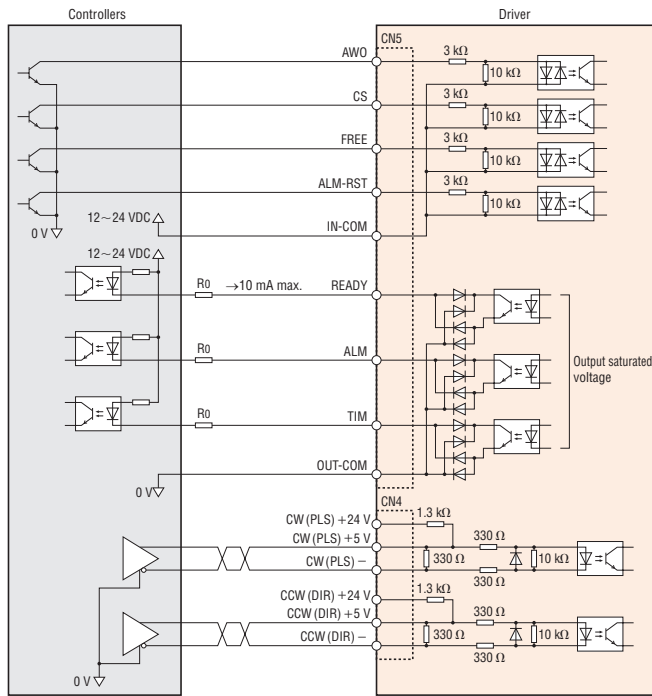
\*3 Not Supplied. If the wiring distance between the motor and driver is extended to 15 m (49.2 ft.) or longer by using an accessory cable (Sold separately), the 24 VDC±4% specification applies.



◇ Connection to Programmable Controller

● Connection Diagram for Current Sink Output Circuit

When pulse input is Line Driver

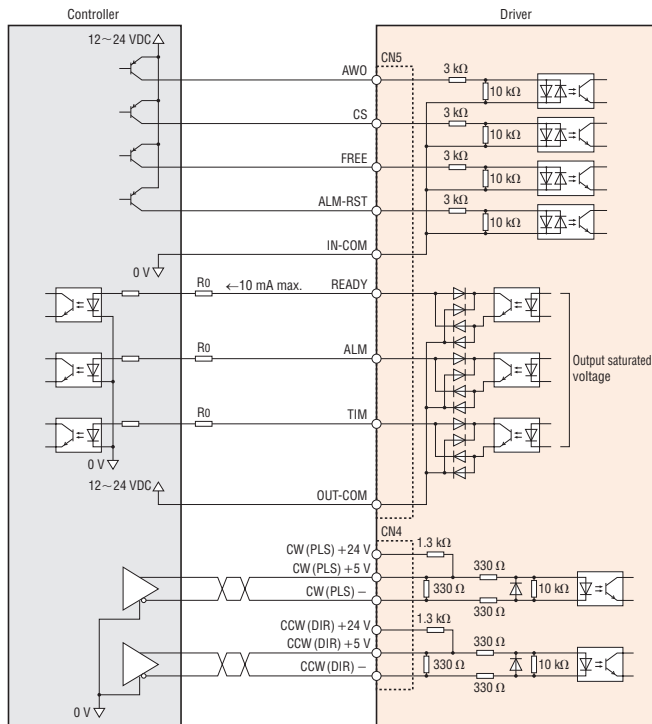


Notes

- Use input signal at 12~24 VDC.
- Use output signal at 12~24 VDC 10 mA max. When the current value exceeds 10 mA, connect the external resistor  $R_0$  to keep 10 mA max.
- Output saturated voltage should be less than 3 VAC.
- Provide a minimum distance of 100 mm (3.94 in.) between the signal lines and power lines (Power supply lines, motor lines).  
Do not run the signal lines in the same duct as power lines or bundle them with power lines.
- If noise generated by the motor cable or power supply cable causes a problem with the specific wiring or layout, shield the cable or use ferrite cores.

● Connecting Diagram for Current Source Output Circuit

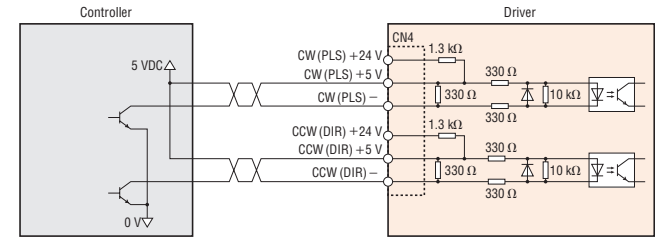
When pulse input is Line Driver



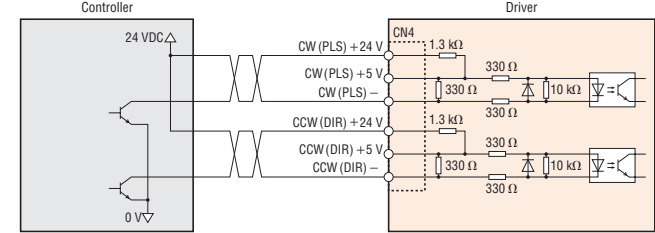
Notes

- Use input signal at 12~24 VDC.
- Use output signal at 12~24 VDC 10 mA max. When the current value exceeds 10 mA, connect the external resistor  $R_0$  to keep 10 mA max.
- Output saturated voltage should be less than 3 VAC.
- Provide a minimum distance of 100 mm (3.94 in.) between the signal lines and power lines (Power supply lines, motor lines).  
Do not run the signal lines in the same duct as power lines or bundle them with power lines.
- If noise generated by the motor cable or power supply cable causes a problem with the specific wiring or layout, shield the cable or use ferrite cores.

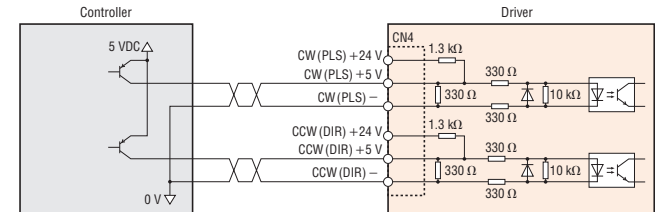
When pulse input is of 5 VDC type



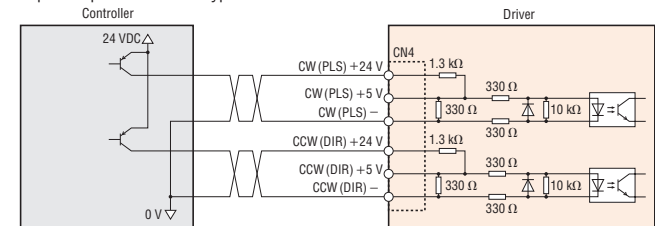
When pulse input is of 24 VDC type



When pulse input is of 5 VDC type



When pulse input is of 24 VDC type



## Motor and Driver Combinations

Product names for motor and driver combinations are shown below.

### Built-in Controller (Stored Data) Type

Type	Product Name	Motor Product Name	Driver Product Name
Standard Type	RKS543 <input type="checkbox"/> D-3	PKE543 <input type="checkbox"/> C	RKSD503- <input type="checkbox"/> D
	RKS544 <input type="checkbox"/> D-3	PKE544 <input type="checkbox"/> C	
	RKS545 <input type="checkbox"/> D-3	PKE545 <input type="checkbox"/> C	
	RKS564 <input type="checkbox"/> D-3	PKE564 <input type="checkbox"/> C	
	RKS566 <input type="checkbox"/> D-3	PKE566 <input type="checkbox"/> C	
	RKS569 <input type="checkbox"/> D-3	PKE569 <input type="checkbox"/> C	
	RKS596 <input type="checkbox"/> D-3	PKE596 <input type="checkbox"/> C	
Standard Type with Electromagnetic Brake	RKS599 <input type="checkbox"/> D-3	PKE599 <input type="checkbox"/> C	RKSD507- <input type="checkbox"/> D
	RKS5913 <input type="checkbox"/> D-3	PKE5913 <input type="checkbox"/> C	
	RKS543M <input type="checkbox"/> D-3	PKE543MC	
	RKS544M <input type="checkbox"/> D-3	PKE544MC	
	RKS545M <input type="checkbox"/> D-3	PKE545MC	
	RKS564M <input type="checkbox"/> D-3	PKE564MC	
	RKS566M <input type="checkbox"/> D-3	PKE566MC	
Standard Type with Encoder	RKS569M <input type="checkbox"/> D-3	PKE569MC	RKSD507- <input type="checkbox"/> D
	RKS596M <input type="checkbox"/> D-3	PKE596MC	
	RKS599M <input type="checkbox"/> D-3	PKE599MC	
	RKS5913M <input type="checkbox"/> D-3	PKE5913MC	
	RKS543R <input type="checkbox"/> D2-3	PKE543RC2	
	RKS544R <input type="checkbox"/> D2-3	PKE544RC2	
	RKS545R <input type="checkbox"/> D2-3	PKE545RC2	
TS Geared Type	RKS564R <input type="checkbox"/> D2-3	PKE564RC2	RKSD503- <input type="checkbox"/> D
	RKS566R <input type="checkbox"/> D2-3	PKE566RC2	
	RKS569R <input type="checkbox"/> D2-3	PKE569RC2	
	RKS596R <input type="checkbox"/> D2-3	PKE596RC2	
	RKS599R <input type="checkbox"/> D2-3	PKE599RC2	
	RKS5913R <input type="checkbox"/> D2-3	PKE5913RC2	
	RKS543 <input type="checkbox"/> D-TS3.6-3	PKE543 <input type="checkbox"/> C-TS3.6	
RKS543 <input type="checkbox"/> D-TS7.2-3	PKE543 <input type="checkbox"/> C-TS7.2		
RKS543 <input type="checkbox"/> D-TS10-3	PKE543 <input type="checkbox"/> C-TS10		
RKS543 <input type="checkbox"/> D-TS20-3	PKE543 <input type="checkbox"/> C-TS20		
RKS543 <input type="checkbox"/> D-TS30-3	PKE543 <input type="checkbox"/> C-TS30		
RKS564 <input type="checkbox"/> D-TS3.6-3	PKE564 <input type="checkbox"/> C-TS3.6		
RKS564 <input type="checkbox"/> D-TS7.2-3	PKE564 <input type="checkbox"/> C-TS7.2		
TS Geared Type with Electromagnetic Brake	RKS564 <input type="checkbox"/> D-TS10-3	PKE564 <input type="checkbox"/> C-TS10	RKSD507- <input type="checkbox"/> D
	RKS564 <input type="checkbox"/> D-TS20-3	PKE564 <input type="checkbox"/> C-TS20	
	RKS564 <input type="checkbox"/> D-TS30-3	PKE564 <input type="checkbox"/> C-TS30	
	RKS596 <input type="checkbox"/> D-TS3.6-3	PKE596 <input type="checkbox"/> C-TS3.6	
	RKS596 <input type="checkbox"/> D-TS7.2-3	PKE596 <input type="checkbox"/> C-TS7.2	
	RKS596 <input type="checkbox"/> D-TS10-3	PKE596 <input type="checkbox"/> C-TS10	
	RKS596 <input type="checkbox"/> D-TS20-3	PKE596 <input type="checkbox"/> C-TS20	
TS Geared Type with Electromagnetic Brake	RKS596 <input type="checkbox"/> D-TS30-3	PKE596 <input type="checkbox"/> C-TS30	RKSD503- <input type="checkbox"/> D
	RKS543M <input type="checkbox"/> D-TS3.6-3	PKE543MC-TS3.6	
	RKS543M <input type="checkbox"/> D-TS7.2-3	PKE543MC-TS7.2	
	RKS543M <input type="checkbox"/> D-TS10-3	PKE543MC-TS10	
	RKS543M <input type="checkbox"/> D-TS20-3	PKE543MC-TS20	
	RKS543M <input type="checkbox"/> D-TS30-3	PKE543MC-TS30	
	RKS564M <input type="checkbox"/> D-TS3.6-3	PKE564MC-TS3.6	
	RKS564M <input type="checkbox"/> D-TS7.2-3	PKE564MC-TS7.2	
	RKS564M <input type="checkbox"/> D-TS10-3	PKE564MC-TS10	
	RKS564M <input type="checkbox"/> D-TS20-3	PKE564MC-TS20	
RKS564M <input type="checkbox"/> D-TS30-3	PKE564MC-TS30		
TS Geared Type with Electromagnetic Brake	RKS596M <input type="checkbox"/> D-TS3.6-3	PKE596MC-TS3.6	RKSD507- <input type="checkbox"/> D
	RKS596M <input type="checkbox"/> D-TS7.2-3	PKE596MC-TS7.2	
	RKS596M <input type="checkbox"/> D-TS10-3	PKE596MC-TS10	
	RKS596M <input type="checkbox"/> D-TS20-3	PKE596MC-TS20	
	RKS596M <input type="checkbox"/> D-TS30-3	PKE596MC-TS30	
	RKS596M <input type="checkbox"/> D-TS30-3	PKE596MC-TS30	

Enter **A** (Single shaft) or **B** (Double shaft) where the box  is located within the product name.

Enter **A** (single-phase 100-120 VAC) or **C** (single-phase 200-240 VAC) where the box  is located within the product name.

Type	Product Name	Motor Product Name	Driver Product Name
PS Geared Type	RKS545 <input type="checkbox"/> D-PS5-3	PKE545 <input type="checkbox"/> C-PS5	RKSD503- <input type="checkbox"/> D
	RKS545 <input type="checkbox"/> D-PS7.2-3	PKE545 <input type="checkbox"/> C-PS7.2	
	RKS545 <input type="checkbox"/> D-PS10-3	PKE545 <input type="checkbox"/> C-PS10	
	RKS543 <input type="checkbox"/> D-PS25-3	PKE543 <input type="checkbox"/> C-PS25	
	RKS543 <input type="checkbox"/> D-PS36-3	PKE543 <input type="checkbox"/> C-PS36	
	RKS543 <input type="checkbox"/> D-PS50-3	PKE543 <input type="checkbox"/> C-PS50	
	RKS566 <input type="checkbox"/> D-PS5-3	PKE566 <input type="checkbox"/> C-PS5	RKSD507- <input type="checkbox"/> D
	RKS566 <input type="checkbox"/> D-PS7.2-3	PKE566 <input type="checkbox"/> C-PS7.2	
	RKS566 <input type="checkbox"/> D-PS10-3	PKE566 <input type="checkbox"/> C-PS10	
	RKS564 <input type="checkbox"/> D-PS25-3	PKE564 <input type="checkbox"/> C-PS25	
	RKS564 <input type="checkbox"/> D-PS36-3	PKE564 <input type="checkbox"/> C-PS36	
	RKS564 <input type="checkbox"/> D-PS50-3	PKE564 <input type="checkbox"/> C-PS50	
	RKS599 <input type="checkbox"/> D-PS5-3	PKE599 <input type="checkbox"/> C-PS5	
	RKS599 <input type="checkbox"/> D-PS7.2-3	PKE599 <input type="checkbox"/> C-PS7.2	
	RKS599 <input type="checkbox"/> D-PS10-3	PKE599 <input type="checkbox"/> C-PS10	
	RKS596 <input type="checkbox"/> D-PS25-3	PKE596 <input type="checkbox"/> C-PS25	
RKS596 <input type="checkbox"/> D-PS36-3	PKE596 <input type="checkbox"/> C-PS36		
RKS596 <input type="checkbox"/> D-PS50-3	PKE596 <input type="checkbox"/> C-PS50		
PS Geared Type with Electromagnetic Brake	RKS545M <input type="checkbox"/> D-PS5-3	PKE545MC-PS5	RKSD503- <input type="checkbox"/> D
	RKS545M <input type="checkbox"/> D-PS7.2-3	PKE545MC-PS7.2	
	RKS545M <input type="checkbox"/> D-PS10-3	PKE545MC-PS10	
	RKS543M <input type="checkbox"/> D-PS25-3	PKE543MC-PS25	
	RKS543M <input type="checkbox"/> D-PS36-3	PKE543MC-PS36	
	RKS543M <input type="checkbox"/> D-PS50-3	PKE543MC-PS50	
	RKS566M <input type="checkbox"/> D-PS5-3	PKE566MC-PS5	RKSD507- <input type="checkbox"/> D
	RKS566M <input type="checkbox"/> D-PS7.2-3	PKE566MC-PS7.2	
	RKS566M <input type="checkbox"/> D-PS10-3	PKE566MC-PS10	
	RKS564M <input type="checkbox"/> D-PS25-3	PKE564MC-PS25	
	RKS564M <input type="checkbox"/> D-PS36-3	PKE564MC-PS36	
	RKS564M <input type="checkbox"/> D-PS50-3	PKE564MC-PS50	
	RKS599M <input type="checkbox"/> D-PS5-3	PKE599MC-PS5	
	RKS599M <input type="checkbox"/> D-PS7.2-3	PKE599MC-PS7.2	
	RKS599M <input type="checkbox"/> D-PS10-3	PKE599MC-PS10	
	RKS596M <input type="checkbox"/> D-PS25-3	PKE596MC-PS25	
RKS596M <input type="checkbox"/> D-PS36-3	PKE596MC-PS36		
RKS596M <input type="checkbox"/> D-PS50-3	PKE596MC-PS50		
Harmonic Geared Type	RKS543 <input type="checkbox"/> D-HS50-3	PKE543 <input type="checkbox"/> C-HS50	RKSD503- <input type="checkbox"/> D
	RKS543 <input type="checkbox"/> D-HS100-3	PKE543 <input type="checkbox"/> C-HS100	
	RKS564 <input type="checkbox"/> D-HS50-3	PKE564 <input type="checkbox"/> C-HS50	RKSD507- <input type="checkbox"/> D
	RKS564 <input type="checkbox"/> D-HS100-3	PKE564 <input type="checkbox"/> C-HS100	
	RKS596 <input type="checkbox"/> D-HS50-3	PKE596 <input type="checkbox"/> C-HS50	
RKS596 <input type="checkbox"/> D-HS100-3	PKE596 <input type="checkbox"/> C-HS100		
Harmonic Geared Type with Electromagnetic Brake	RKS543M <input type="checkbox"/> D-HS50-3	PKE543MC-HS50	RKSD503- <input type="checkbox"/> D
	RKS543M <input type="checkbox"/> D-HS100-3	PKE543MC-HS100	
	RKS564M <input type="checkbox"/> D-HS50-3	PKE564MC-HS50	RKSD507- <input type="checkbox"/> D
	RKS564M <input type="checkbox"/> D-HS100-3	PKE564MC-HS100	
	RKS596M <input type="checkbox"/> D-HS50-3	PKE596MC-HS50	
RKS596M <input type="checkbox"/> D-HS100-3	PKE596MC-HS100		

- Enter **A** (Single shaft) or **B** (Double shaft) where the box  is located within the product name.
- Enter **A** (single-phase 100-120 VAC) or **C** (single-phase 200-240 VAC) where the box  is located within the product name.

● Pulse Input Type

Type	Product Name	Motor Product Name	Driver Product Name
Standard Type	RKS543 <input type="checkbox"/> -3	PKE543 <input type="checkbox"/> C	RKSD503- <input type="checkbox"/>
	RKS544 <input type="checkbox"/> -3	PKE544 <input type="checkbox"/> C	
	RKS545 <input type="checkbox"/> -3	PKE545 <input type="checkbox"/> C	
	RKS564 <input type="checkbox"/> -3	PKE564 <input type="checkbox"/> C	RKSD507- <input type="checkbox"/>
	RKS566 <input type="checkbox"/> -3	PKE566 <input type="checkbox"/> C	
	RKS569 <input type="checkbox"/> -3	PKE569 <input type="checkbox"/> C	
	RKS596 <input type="checkbox"/> -3	PKE596 <input type="checkbox"/> C	
	RKS599 <input type="checkbox"/> -3	PKE599 <input type="checkbox"/> C	
RKS5913 <input type="checkbox"/> -3	PKE5913 <input type="checkbox"/> C		
Standard Type with Electromagnetic Brake	RKS543M <input type="checkbox"/> -3	PKE543MC	RKSD503M- <input type="checkbox"/>
	RKS544M <input type="checkbox"/> -3	PKE544MC	
	RKS545M <input type="checkbox"/> -3	PKE545MC	
	RKS564M <input type="checkbox"/> -3	PKE564MC	RKSD507M- <input type="checkbox"/>
	RKS566M <input type="checkbox"/> -3	PKE566MC	
	RKS569M <input type="checkbox"/> -3	PKE569MC	
	RKS596M <input type="checkbox"/> -3	PKE596MC	
	RKS599M <input type="checkbox"/> -3	PKE599MC	
RKS5913M <input type="checkbox"/> -3	PKE5913MC		
TS Geared Type	RKS543 <input type="checkbox"/> -TS3.6-3	PKE543 <input type="checkbox"/> C-TS3.6	RKSD503- <input type="checkbox"/>
	RKS543 <input type="checkbox"/> -TS7.2-3	PKE543 <input type="checkbox"/> C-TS7.2	
	RKS543 <input type="checkbox"/> -TS10-3	PKE543 <input type="checkbox"/> C-TS10	
	RKS543 <input type="checkbox"/> -TS20-3	PKE543 <input type="checkbox"/> C-TS20	
	RKS543 <input type="checkbox"/> -TS30-3	PKE543 <input type="checkbox"/> C-TS30	RKSD507- <input type="checkbox"/>
	RKS564 <input type="checkbox"/> -TS3.6-3	PKE564 <input type="checkbox"/> C-TS3.6	
	RKS564 <input type="checkbox"/> -TS7.2-3	PKE564 <input type="checkbox"/> C-TS7.2	
	RKS564 <input type="checkbox"/> -TS10-3	PKE564 <input type="checkbox"/> C-TS10	
	RKS564 <input type="checkbox"/> -TS20-3	PKE564 <input type="checkbox"/> C-TS20	
	RKS564 <input type="checkbox"/> -TS30-3	PKE564 <input type="checkbox"/> C-TS30	
	RKS596 <input type="checkbox"/> -TS3.6-3	PKE596 <input type="checkbox"/> C-TS3.6	
	RKS596 <input type="checkbox"/> -TS7.2-3	PKE596 <input type="checkbox"/> C-TS7.2	
	RKS596 <input type="checkbox"/> -TS10-3	PKE596 <input type="checkbox"/> C-TS10	
	RKS596 <input type="checkbox"/> -TS20-3	PKE596 <input type="checkbox"/> C-TS20	
RKS596 <input type="checkbox"/> -TS30-3	PKE596 <input type="checkbox"/> C-TS30		
TS Geared Type with Electromagnetic Brake	RKS543M <input type="checkbox"/> -TS3.6-3	PKE543MC-TS3.6	RKSD503M- <input type="checkbox"/>
	RKS543M <input type="checkbox"/> -TS7.2-3	PKE543MC-TS7.2	
	RKS543M <input type="checkbox"/> -TS10-3	PKE543MC-TS10	
	RKS543M <input type="checkbox"/> -TS20-3	PKE543MC-TS20	
	RKS543M <input type="checkbox"/> -TS30-3	PKE543MC-TS30	RKSD507M- <input type="checkbox"/>
	RKS564M <input type="checkbox"/> -TS3.6-3	PKE564MC-TS3.6	
	RKS564M <input type="checkbox"/> -TS7.2-3	PKE564MC-TS7.2	
	RKS564M <input type="checkbox"/> -TS10-3	PKE564MC-TS10	
	RKS564M <input type="checkbox"/> -TS20-3	PKE564MC-TS20	
	RKS564M <input type="checkbox"/> -TS30-3	PKE564MC-TS30	
	RKS596M <input type="checkbox"/> -TS3.6-3	PKE596MC-TS3.6	
	RKS596M <input type="checkbox"/> -TS7.2-3	PKE596MC-TS7.2	
	RKS596M <input type="checkbox"/> -TS10-3	PKE596MC-TS10	
	RKS596M <input type="checkbox"/> -TS20-3	PKE596MC-TS20	
RKS596M <input type="checkbox"/> -TS30-3	PKE596MC-TS30		

● Enter **A** (Single shaft) or **B** (Double shaft) where the box  is located within the product name.  
 Enter **A** (single-phase 100-120 VAC) or **C** (single-phase 200-240 VAC) where the box  is located within the product name.

Type	Product Name	Motor Product Name	Driver Product Name
PS Geared Type	RKS545 <input type="checkbox"/> -PS5-3	PKE545 <input type="checkbox"/> C-PS5	RKSD503- <input type="checkbox"/>
	RKS545 <input type="checkbox"/> -PS7.2-3	PKE545 <input type="checkbox"/> C-PS7.2	
	RKS545 <input type="checkbox"/> -PS10-3	PKE545 <input type="checkbox"/> C-PS10	
	RKS543 <input type="checkbox"/> -PS25-3	PKE543 <input type="checkbox"/> C-PS25	
	RKS543 <input type="checkbox"/> -PS36-3	PKE543 <input type="checkbox"/> C-PS36	
	RKS543 <input type="checkbox"/> -PS50-3	PKE543 <input type="checkbox"/> C-PS50	
	RKS566 <input type="checkbox"/> -PS5-3	PKE566 <input type="checkbox"/> C-PS5	RKSD507- <input type="checkbox"/>
	RKS566 <input type="checkbox"/> -PS7.2-3	PKE566 <input type="checkbox"/> C-PS7.2	
	RKS566 <input type="checkbox"/> -PS10-3	PKE566 <input type="checkbox"/> C-PS10	
	RKS564 <input type="checkbox"/> -PS25-3	PKE564 <input type="checkbox"/> C-PS25	
	RKS564 <input type="checkbox"/> -PS36-3	PKE564 <input type="checkbox"/> C-PS36	
	RKS564 <input type="checkbox"/> -PS50-3	PKE564 <input type="checkbox"/> C-PS50	
	RKS599 <input type="checkbox"/> -PS5-3	PKE599 <input type="checkbox"/> C-PS5	
	RKS599 <input type="checkbox"/> -PS7.2-3	PKE599 <input type="checkbox"/> C-PS7.2	
	RKS599 <input type="checkbox"/> -PS10-3	PKE599 <input type="checkbox"/> C-PS10	
	RKS596 <input type="checkbox"/> -PS25-3	PKE596 <input type="checkbox"/> C-PS25	
RKS596 <input type="checkbox"/> -PS36-3	PKE596 <input type="checkbox"/> C-PS36		
RKS596 <input type="checkbox"/> -PS50-3	PKE596 <input type="checkbox"/> C-PS50		
PS Geared Type with Electromagnetic Brake	RKS545M <input type="checkbox"/> -PS5-3	PKE545MC-PS5	RKSD503M- <input type="checkbox"/>
	RKS545M <input type="checkbox"/> -PS7.2-3	PKE545MC-PS7.2	
	RKS545M <input type="checkbox"/> -PS10-3	PKE545MC-PS10	
	RKS543M <input type="checkbox"/> -PS25-3	PKE543MC-PS25	
	RKS543M <input type="checkbox"/> -PS36-3	PKE543MC-PS36	
	RKS543M <input type="checkbox"/> -PS50-3	PKE543MC-PS50	
	RKS566M <input type="checkbox"/> -PS5-3	PKE566MC-PS5	RKSD507M- <input type="checkbox"/>
	RKS566M <input type="checkbox"/> -PS7.2-3	PKE566MC-PS7.2	
	RKS566M <input type="checkbox"/> -PS10-3	PKE566MC-PS10	
	RKS564M <input type="checkbox"/> -PS25-3	PKE564MC-PS25	
	RKS564M <input type="checkbox"/> -PS36-3	PKE564MC-PS36	
	RKS564M <input type="checkbox"/> -PS50-3	PKE564MC-PS50	
	RKS599M <input type="checkbox"/> -PS5-3	PKE599MC-PS5	
	RKS599M <input type="checkbox"/> -PS7.2-3	PKE599MC-PS7.2	
	RKS599M <input type="checkbox"/> -PS10-3	PKE599MC-PS10	
	RKS596M <input type="checkbox"/> -PS25-3	PKE596MC-PS25	
RKS596M <input type="checkbox"/> -PS36-3	PKE596MC-PS36		
RKS596M <input type="checkbox"/> -PS50-3	PKE596MC-PS50		
Harmonic Geared Type	RKS543 <input type="checkbox"/> -HS50-3	PKE543 <input type="checkbox"/> C-HS50	RKSD503- <input type="checkbox"/>
	RKS543 <input type="checkbox"/> -HS100-3	PKE543 <input type="checkbox"/> C-HS100	RKSD507- <input type="checkbox"/>
	RKS564 <input type="checkbox"/> -HS50-3	PKE564 <input type="checkbox"/> C-HS50	
	RKS564 <input type="checkbox"/> -HS100-3	PKE564 <input type="checkbox"/> C-HS100	
	RKS596 <input type="checkbox"/> -HS50-3	PKE596 <input type="checkbox"/> C-HS50	
RKS596 <input type="checkbox"/> -HS100-3	PKE596 <input type="checkbox"/> C-HS100		
Harmonic Geared Type with Electromagnetic Brake	RKS543M <input type="checkbox"/> -HS50-3	PKE543MC-HS50	RKSD503M- <input type="checkbox"/>
	RKS543M <input type="checkbox"/> -HS100-3	PKE543MC-HS100	RKSD507M- <input type="checkbox"/>
	RKS564M <input type="checkbox"/> -HS50-3	PKE564MC-HS50	
	RKS564M <input type="checkbox"/> -HS100-3	PKE564MC-HS100	
	RKS596M <input type="checkbox"/> -HS50-3	PKE596MC-HS50	
RKS596M <input type="checkbox"/> -HS100-3	PKE596MC-HS100		

- Enter **A** (Single shaft) or **B** (Double shaft) where the box  is located within the product name.  
Enter **A** (single-phase 100-120 VAC) or **C** (single-phase 200-240 VAC) where the box  is located within the product name.

# Accessories (Sold Separately)

## Connection Cable Sets (RoHS), Flexible Connection Cable Sets (RoHS) Extension Cable Sets (RoHS), Flexible Extension Cable Sets (RoHS)

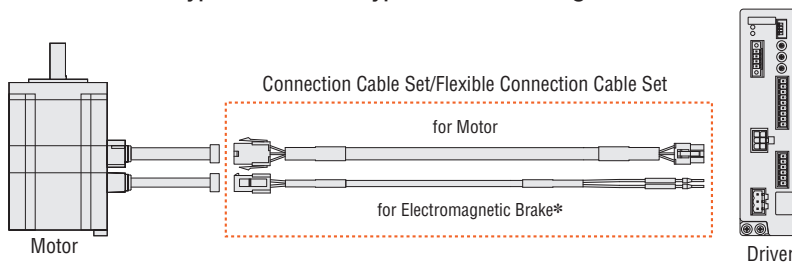
The **RKII** Series comes with a 3 m (9.8 ft.) cable for connection between the motor and driver.  
When the distance between the motor and driver is extended to 3 m (9.8 ft.) or longer, a connection cable set or extension cable set must be used.  
Keep the wiring distance between the motor and driver to 20 m (65.6 ft.) max.

### System Configuration

#### When Connecting the Motor and Driver without Using an Included Cable

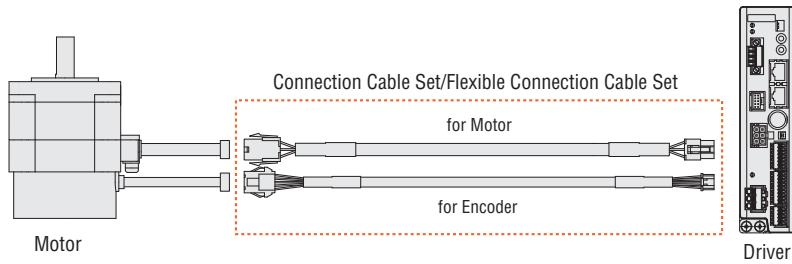
- Use a connection cable set.
- Use a flexible connection cable set if the cable will be bent.

##### For Standard Type or Standard Type with Electromagnetic Brake



\*Electromagnetic Brake Cable is required for the Motor with Electromagnetic Brake.

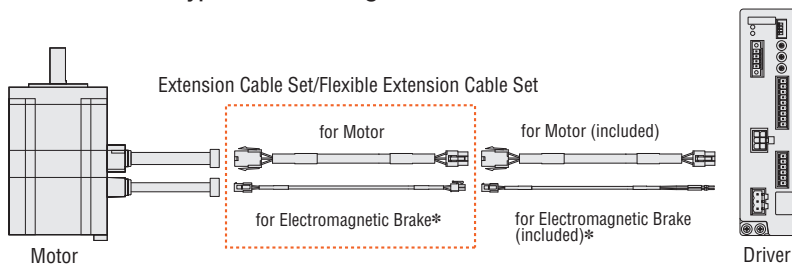
##### For Motor with Encoder



#### When Extending the Distance between the Motor and the Driver Using an Included Cable

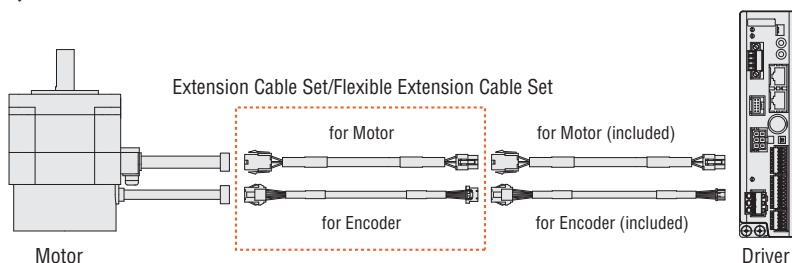
- Use an extension cable set and connect it to the included cable.
- Use flexible extension cable set added if the cable will be bent.

##### For Standard Type or Electromagnetic Brake Motor



\*Electromagnetic Brake Cable is required for the Motor with Electromagnetic Brake.

##### For Motor with Encoder



#### Notes

- Keep the total cable length below 20 m (65.6 ft.) when connecting a cable included in the **RKII** Series and an extension cable.
- The cable on the Electromagnetic Brake or Encoder cannot be connected to the driver directly. To connect to the driver, a connection cable (sold separately) is available.



# Connection Cable Sets (RoHS), Flexible Connection Cable Sets (RoHS)

## Product Line

### Connection Cable Sets

#### For Standard Motor



Motor Cable

Product Name	Length L m (ft.)	List Price
<b>CC010VPF</b>	1 (3.3)	\$34.00
<b>CC020VPF</b>	2 (6.6)	\$39.00
<b>CC030VPF</b>	3 (9.8)	\$44.00
<b>CC050VPF</b>	5 (16.4)	\$53.00
<b>CC070VPF</b>	7 (23.0)	\$71.00
<b>CC100VPF</b>	10 (32.8)	\$97.00
<b>CC150VPF</b>	15 (49.2)	\$142.00
<b>CC200VPF</b>	20 (65.6)	\$186.00

#### For Electromagnetic Brake Motor



Motor Cable



Electromagnetic Brake Cable

Product Name	Length L m (ft.)	List Price
<b>CC010VPFB</b>	1 (3.3)	\$51.00
<b>CC020VPFB</b>	2 (6.6)	\$58.00
<b>CC030VPFB</b>	3 (9.8)	\$66.00
<b>CC050VPFB</b>	5 (16.4)	\$81.00
<b>CC070VPFB</b>	7 (23.0)	\$104.00
<b>CC100VPFB</b>	10 (32.8)	\$138.00
<b>CC150VPFB</b>	15 (49.2)	\$197.00
<b>CC200VPFB</b>	20 (65.6)	\$255.00

#### For Encoder Motor



Motor Cable



Encoder Cable

Product Name	Length L m (ft.)	List Price
<b>CC010VPFE</b>	1 (3.3)	\$78.00
<b>CC020VPFE</b>	2 (6.6)	\$88.00
<b>CC030VPFE</b>	3 (9.8)	\$100.00
<b>CC050VPFE</b>	5 (16.4)	\$121.00
<b>CC070VPFE</b>	7 (23.0)	\$149.00
<b>CC100VPFE</b>	10 (32.8)	\$193.00
<b>CC150VPFE</b>	15 (49.2)	\$267.00
<b>CC200VPFE</b>	20 (65.6)	\$340.00

### Flexible Connection Cable Sets

#### For Standard Motor



Motor Cable

Product Name	Length L m (ft.)	List Price
<b>CC010VPR</b>	1 (3.3)	\$45.00
<b>CC020VPR</b>	2 (6.6)	\$52.00
<b>CC030VPR</b>	3 (9.8)	\$58.00
<b>CC050VPR</b>	5 (16.4)	\$70.00
<b>CC070VPR</b>	7 (23.0)	\$93.00
<b>CC100VPR</b>	10 (32.8)	\$127.00
<b>CC150VPR</b>	15 (49.2)	\$186.00
<b>CC200VPR</b>	20 (65.6)	\$242.00

#### For Electromagnetic Brake Motor



Motor Cable



Electromagnetic Brake Cable

Product Name	Length L m (ft.)	List Price
<b>CC010VPRB</b>	1 (3.3)	\$77.00
<b>CC020VPRB</b>	2 (6.6)	\$90.00
<b>CC030VPRB</b>	3 (9.8)	\$101.00
<b>CC050VPRB</b>	5 (16.4)	\$125.00
<b>CC070VPRB</b>	7 (23.0)	\$159.00
<b>CC100VPRB</b>	10 (32.8)	\$210.00
<b>CC150VPRB</b>	15 (49.2)	\$296.00
<b>CC200VPRB</b>	20 (65.6)	\$379.00

#### For Encoder Motor



Motor Cable



Encoder Cable

Product Name	Length L m (ft.)	List Price
<b>CC010VPRE</b>	1 (3.3)	\$92.00
<b>CC020VPRE</b>	2 (6.6)	\$109.00
<b>CC030VPRE</b>	3 (9.8)	\$122.00
<b>CC050VPRE</b>	5 (16.4)	\$155.00
<b>CC070VPRE</b>	7 (23.0)	\$197.00
<b>CC100VPRE</b>	10 (32.8)	\$259.00
<b>CC150VPRE</b>	15 (49.2)	\$364.00
<b>CC200VPRE</b>	20 (65.6)	\$467.00

# Extension Cable Sets (RoHS), Flexible Extension Cable Sets (RoHS)

## Product Line

### Extension Cable Sets

#### For Standard Motor



Motor Cable

Product Name	Length L m (ft.)	List Price
<b>CC010VPF</b>	1 (3.3)	\$34.00
<b>CC020VPF</b>	2 (6.6)	\$39.00
<b>CC030VPF</b>	3 (9.8)	\$44.00
<b>CC050VPF</b>	5 (16.4)	\$53.00
<b>CC070VPF</b>	7 (23.0)	\$71.00
<b>CC100VPF</b>	10 (32.8)	\$97.00
<b>CC150VPF</b>	15 (49.2)	\$142.00

#### For Electromagnetic Brake Motor



Motor Cable



Electromagnetic Brake Cable

Product Name	Length L m (ft.)	List Price
<b>CC010VPFBT</b>	1 (3.3)	\$53.00
<b>CC020VPFBT</b>	2 (6.6)	\$61.00
<b>CC030VPFBT</b>	3 (9.8)	\$69.00
<b>CC050VPFBT</b>	5 (16.4)	\$84.00
<b>CC070VPFBT</b>	7 (23.0)	\$107.00
<b>CC100VPFBT</b>	10 (32.8)	\$141.00
<b>CC150VPFBT</b>	15 (49.2)	\$200.00

#### For Encoder Motor



Motor Cable



Encoder Cable

Product Name	Length L m (ft.)	List Price
<b>CC010VPFET</b>	1 (3.3)	\$78.00
<b>CC020VPFET</b>	2 (6.6)	\$88.00
<b>CC030VPFET</b>	3 (9.8)	\$100.00
<b>CC050VPFET</b>	5 (16.4)	\$121.00
<b>CC070VPFET</b>	7 (23.0)	\$149.00
<b>CC100VPFET</b>	10 (32.8)	\$193.00
<b>CC150VPFET</b>	15 (49.2)	\$267.00

### Flexible Extension Cable Sets

#### For Standard Motor



Motor Cable

Product Name	Length L m (ft.)	List Price
<b>CC010VPR</b>	1 (3.3)	\$45.00
<b>CC020VPR</b>	2 (6.6)	\$52.00
<b>CC030VPR</b>	3 (9.8)	\$58.00
<b>CC050VPR</b>	5 (16.4)	\$70.00
<b>CC070VPR</b>	7 (23.0)	\$93.00
<b>CC100VPR</b>	10 (32.8)	\$127.00
<b>CC150VPR</b>	15 (49.2)	\$186.00

#### For Electromagnetic Brake Motor



Motor Cable



Electromagnetic Brake Cable

Product Name	Length L m (ft.)	List Price
<b>CC010VPRBT</b>	1 (3.3)	\$80.00
<b>CC020VPRBT</b>	2 (6.6)	\$93.00
<b>CC030VPRBT</b>	3 (9.8)	\$104.00
<b>CC050VPRBT</b>	5 (16.4)	\$127.00
<b>CC070VPRBT</b>	7 (23.0)	\$162.00
<b>CC100VPRBT</b>	10 (32.8)	\$212.00
<b>CC150VPRBT</b>	15 (49.2)	\$299.00

#### For Encoder Motor



Motor Cable



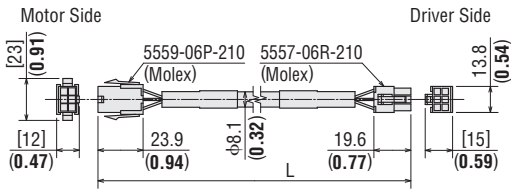
Encoder Cable

Product Name	Length L m (ft.)	List Price
<b>CC010VPRET</b>	1 (3.3)	\$92.00
<b>CC020VPRET</b>	2 (6.6)	\$109.00
<b>CC030VPRET</b>	3 (9.8)	\$122.00
<b>CC050VPRET</b>	5 (16.4)	\$155.00
<b>CC070VPRET</b>	7 (23.0)	\$197.00
<b>CC100VPRET</b>	10 (32.8)	\$259.00
<b>CC150VPRET</b>	15 (49.2)	\$364.00

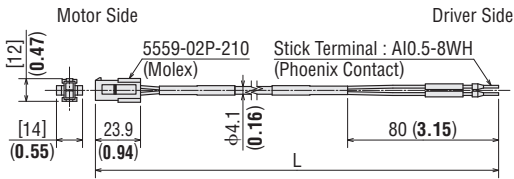
## ■ Dimensions Unit = mm (in.)

### ● Connection Cable

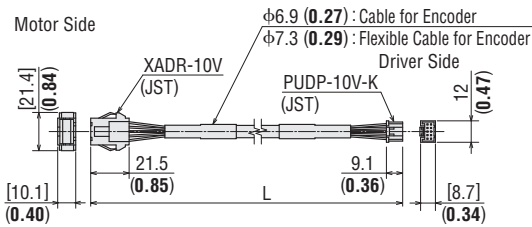
#### ◇ Motor Cable



#### ◇ Electromagnetic Brake Cable

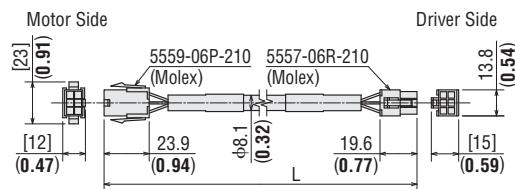


#### ◇ Encoder Cable

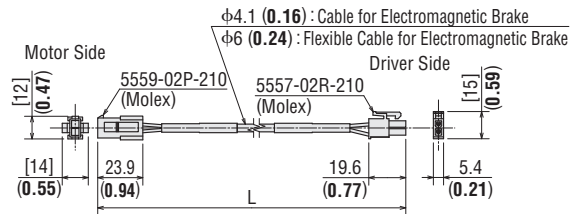


### ● Extension Cable

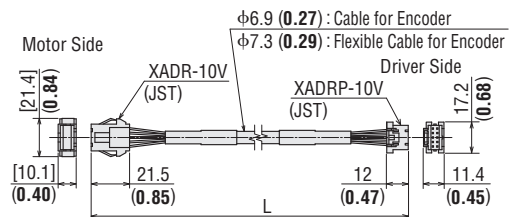
#### ◇ Motor Cable



#### ◇ Electromagnetic Brake Cable

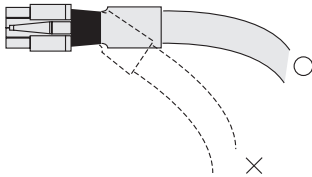


#### ◇ Encoder Cable

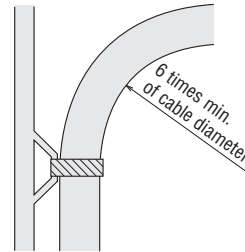


## ■ Note on Use of Flexible Cable

① Do not allow the cable to bend at the cable connector.



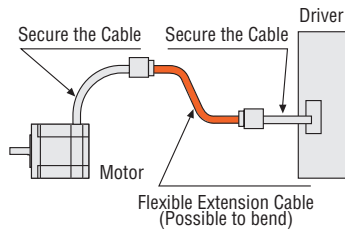
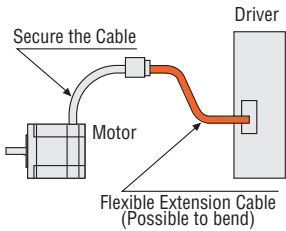
② For the bending radius, use at six times min. of the cable diameter.



③ The cable from the motor and the included cables are not for bending. If the motor cable is to be bent, bend it by using the flexible cable.

● Flexible Connection Cable

● Flexible Extension Cable



# MCS Couplings RoHS



## Product Line

Product Name	List Price
<b>MCS14</b> <input type="checkbox"/>	\$46.00
<b>MCS20</b> <input type="checkbox"/>	\$50.00
<b>MCS30</b> <input type="checkbox"/>	\$71.00
<b>MCS40</b> <input type="checkbox"/>	\$104.00
<b>MCS55</b> <input type="checkbox"/>	\$134.00
<b>MCS65</b> <input type="checkbox"/>	\$204.00

● A number indicating the coupling inner diameter is entered where the box  is located within the product name.

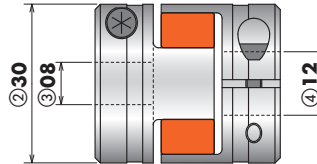
## Product Number

# MCS 30 08 12

- ①      ②      ③      ④

①	<b>MCS Couplings</b>
②	Outer Diameter of Coupling
③	Inner Diameter d1 (smaller inner diameter) <b>(FO4 represents <math>\phi</math>6.35 mm)</b>
④	Inner Diameter d2 (larger inner diameter) <b>(FO4 represents <math>\phi</math>6.35 mm)</b>

● For inner diameter d1, the smaller of the motor shaft diameter or the driven shaft diameter is entered.  
 For inner diameter d2, the larger of the motor shaft diameter or the driven shaft diameter is entered.



## Coupling Selection Table

Type	Frame Size	Product Name	Gear Ratio	Coupling Type	Motor Shaft Diameter mm (in.)	Driven Shaft Diameter mm (in.)															
						04	05	06	F04	08	10	12	14	15	16	18	20	22	24	25	
						$\phi$ 4 ( $\phi$ 0.1575)	$\phi$ 5 ( $\phi$ 0.1969)	$\phi$ 6 ( $\phi$ 0.2362)	$\phi$ 6.35 ( $\phi$ 0.2500)	$\phi$ 8 ( $\phi$ 0.3150)	$\phi$ 10 ( $\phi$ 0.3937)	$\phi$ 12 ( $\phi$ 0.4724)	$\phi$ 14 ( $\phi$ 0.5512)	$\phi$ 15 ( $\phi$ 0.5906)	$\phi$ 16 ( $\phi$ 0.6299)	$\phi$ 18 ( $\phi$ 0.7087)	$\phi$ 20 ( $\phi$ 0.7874)	$\phi$ 22 ( $\phi$ 0.8661)	$\phi$ 24 ( $\phi$ 0.9445)	$\phi$ 25 ( $\phi$ 0.9843)	
Step Angle 0.72° Standard Type	42 mm (1.65)	<b>RKS543</b>	-	<b>MCS14</b>	<b>06</b>	$\phi$ 6 ( $\phi$ 0.2362)	●	●	●												
		<b>RKS544</b> <b>RKS545</b>																			
	60 mm (2.36)	<b>RKS564</b> <b>RKS566</b>	-	<b>MCS20</b>	<b>10</b>	$\phi$ 10 ( $\phi$ 0.3937)		●	●	●	●	●									
		<b>RKS569</b>				$\phi$ 10 ( $\phi$ 0.3937)			●	●	●	●	●	●							
	85 mm (3.35)	<b>RKS596</b>	-	<b>MCS30</b>	<b>14</b>	$\phi$ 14 ( $\phi$ 0.5512)			●	●	●	●	●	●							
		<b>RKS599</b>				$\phi$ 14 ( $\phi$ 0.5512)			●	●	●	●	●								
<b>RKS5913</b>		$\phi$ 14 ( $\phi$ 0.5512)							●	●	●	●	●	●	●	●	●	●	●	●	●
TS Geared Type	42 mm (1.65)	<b>RKS543</b>	<b>3.6, 7.2, 10, 20, 30</b>	<b>MCS20</b>	<b>06</b>	$\phi$ 6 ( $\phi$ 0.2362)		●	●	●	●										
	60 mm (2.36)	<b>RKS564</b>	<b>3.6, 7.2, 10, 20, 30</b>			<b>10</b>	$\phi$ 10 ( $\phi$ 0.3937)			●	●	●	●	●	●						
	90 mm (3.54)	<b>RKS596</b>	<b>3.6, 7.2, 10, 20, 30</b>			<b>18</b>	$\phi$ 14 ( $\phi$ 0.5512)					●	●	●	●	●	●	●	●	●	
PS Geared Type	42 mm (1.65)	<b>RKS545</b>	<b>5</b>	<b>MCS20</b>	<b>10</b>	$\phi$ 10 ( $\phi$ 0.3937)		●	●	●	●	●									
			<b>7.2, 10</b>			<b>MCS30</b>	<b>10</b>	$\phi$ 10 ( $\phi$ 0.3937)			●	●	●	●	●	●					
		<b>RKS543</b>	<b>25, 36, 50</b>	<b>MCS40</b>	<b>10</b>	$\phi$ 10 ( $\phi$ 0.3937)				●	●	●	●	●	●	●	●	●			
	60 mm (2.36)	<b>RKS566</b>	<b>5</b>	<b>MCS40</b>	<b>12</b>	$\phi$ 12 ( $\phi$ 0.4724)				●	●	●	●	●	●	●	●				
			<b>7.2, 10</b>			<b>MCS55</b>	<b>12</b>	$\phi$ 12 ( $\phi$ 0.4724)				●	●	●	●	●	●	●	●	●	
		<b>RKS564</b>	<b>25, 36, 50</b>	<b>MCS55</b>	<b>12</b>	$\phi$ 12 ( $\phi$ 0.4724)					●	●	●	●	●	●	●	●	●		
90 mm (3.54)	<b>RKS599</b>	<b>5</b>	<b>MCS55</b>	<b>18</b>	$\phi$ 18 ( $\phi$ 0.7087)					●	●	●	●	●	●	●	●	●			
		<b>7.2, 10</b>			<b>MCS65</b>	<b>18</b>	$\phi$ 18 ( $\phi$ 0.7087)							●	●	●	●	●	●		
	<b>RKS596</b>	<b>25, 36, 50</b>	<b>MCS65</b>	<b>18</b>	$\phi$ 18 ( $\phi$ 0.7087)								●	●	●	●	●	●			
Harmonic Geared Type	42 mm (1.65)	<b>RKS543</b>	<b>50, 100</b>	<b>MCS40</b>	<b>10</b>	$\phi$ 10 ( $\phi$ 0.3937)			●	●	●	●	●	●	●	●					

● Enter the gear ratio in the box (  ) within the model name.  
 ● These couplings can also be used with a motor with an encoder.

# Motor Mounting Brackets RoHS

Mounting brackets are convenient for installation and securing a stepper motor and geared stepper motor.



## Product Line Unit = mm (in.)

### Standard Type

Material: Aluminum Alloy

Product Name	Motor Frame Size	Applicable Product	List Price
<b>PAFOP</b>	42 mm (1.65 in.)	<b>RKS543</b>	\$13.00
<b>PALOPA</b>		<b>RKS544</b> <b>RKS545</b>	
<b>PAL2P-5A</b>	60 mm (2.36 in.)	<b>RKS564</b> <b>RKS566</b> <b>RKS569</b>	\$17.00
<b>PAL4P-5A</b>	85 mm (3.35 in.)	<b>RKS596</b> <b>RKS599</b> <b>RKS5913</b>	\$19.00

- The applicable motor products are listed such that the bracket can be determined.
- The mounting bracket base is built with holes large enough to allow for adjustments of belt tension after a motor is installed.
- These mounting brackets can fit to the pilot of the stepper motors. (Excluding **PALOP**)

### TS Geared Type

Material: Aluminum Alloy

Product Name	Motor Frame Size	Applicable Product	List Price
<b>SOLOB-A</b>	42 mm (1.65 in.)	<b>RKS543</b>	\$23.00
<b>SOL2M4</b>	60 mm (2.36 in.)	<b>RKS564</b>	\$27.00
<b>SOL5B-A</b>	90 mm (3.54 in.)	<b>RKS596</b>	\$34.00

### PS Geared Type

Material: SS400

Surface Treatment: Electroless nickel plating

Product Name	Motor Frame Size	Applicable Product	List Price
<b>PLA60G</b>	60 mm (2.36 in.)	<b>RKS564</b> <b>RKS566</b>	\$190.00
<b>PLA90G</b>	90 mm (3.54 in.)	<b>RKS596</b> <b>RKS599</b>	\$226.00

- The mounting bracket base is built with holes large enough to allow for alignment adjustments in the horizontal direction.
- Motor Mounting Screws are included.

### Harmonic Geared Type

Material: SS400

Surface Treatment: Electroless nickel plating

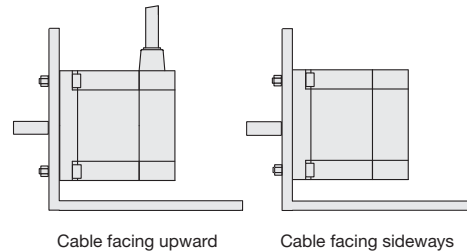
Product Name	Motor Frame Size	Applicable Product	List Price
<b>PLA60H</b>	60 mm (2.36 in.)	<b>RKS564</b>	\$190.00
<b>PLA90H</b>	90 mm (3.54 in.)	<b>RKS596</b>	\$226.00

- The mounting bracket base is built with holes large enough to allow for adjustments of belt tension after a motor is installed.
- Motor Mounting Screws are included.

## Motor Mounting Direction

The motor cable comes out at a right angle to the motor. Orient the motor so that the cable faces either upward or sideways.

- For **PLA60G**, **PLA90G**, **PLA60H**, **PLA90H**: The cable can face downward.

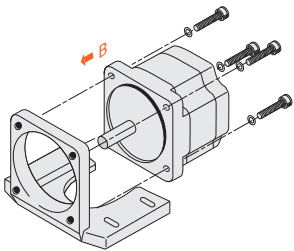


Cable facing upward

Cable facing sideways

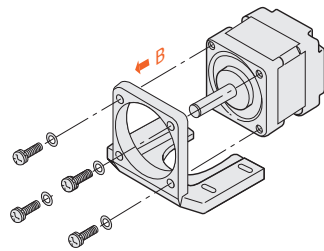
## Installation Methods of the Motor

### 1 PAL2P-5A, PAL4P-5A SOL2M4, SOL5B-A



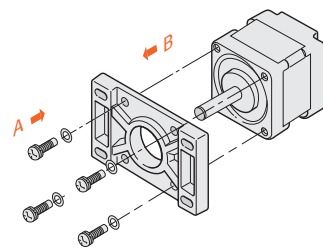
- ① Use the screws provided to secure the motor to the mounting bracket.
- ② Attach the motor from the direction shown by the arrow (B).

### 2 PALOP, SOLOB-A



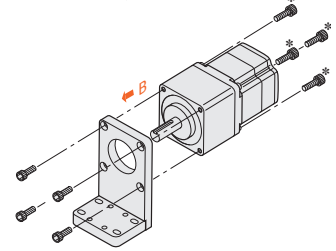
- ① Use the screws provided to secure the motor to the mounting bracket.
- ② Attach the motor from the direction shown by the arrow (B).

### 3 PAFOP



- ① Use the screws provided to secure the motor to the mounting bracket.
- ② Attach motor from the direction shown by either arrow (A) or arrow (B).

### 4 PLA60G, PLA90G PLA60H, PLA90H



- ① Use the screws provided to secure the motor to the mounting bracket.
- ② Attach the motor from the direction shown by the arrow (B).

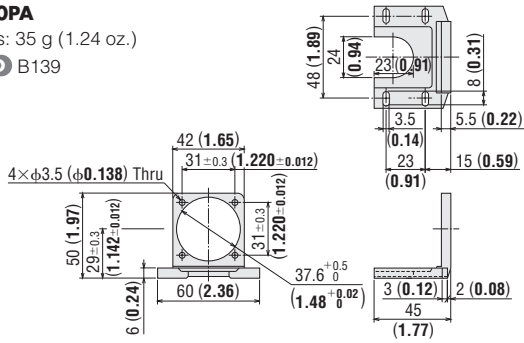
\* Motor mounting hole on **PLA90H** is processed with tapping. Insert the screw from direction B.

**Dimensions** Unit = mm (in.)

**PALOPA**

Mass: 35 g (1.24 oz.)

**CAD** B139

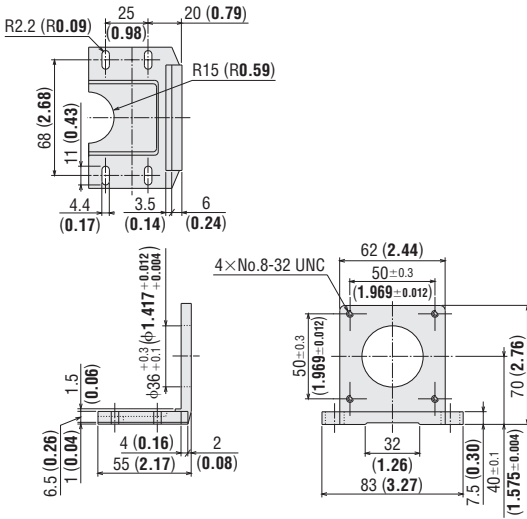


- Screws (Included)  
No.4-40 UNC Length 10 mm (0.39 in.) ... 4 pieces

**PAL2P-5A**

Mass: 110 g (3.9 oz.)

**CAD** B143

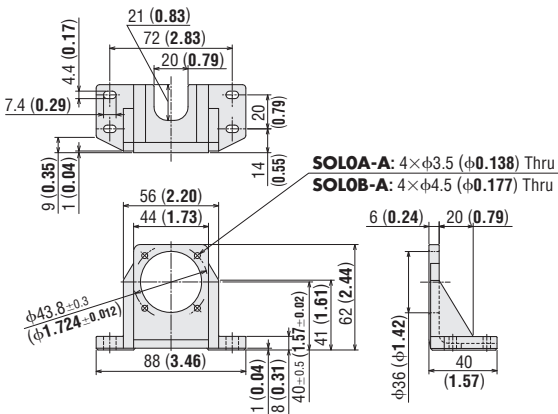


- Screws (Included)  
No.8-32 UNC Length 12.7 mm (0.5 in.) ... 4 pieces

**SOLOB-A**

Mass: 85 g (3 oz.)

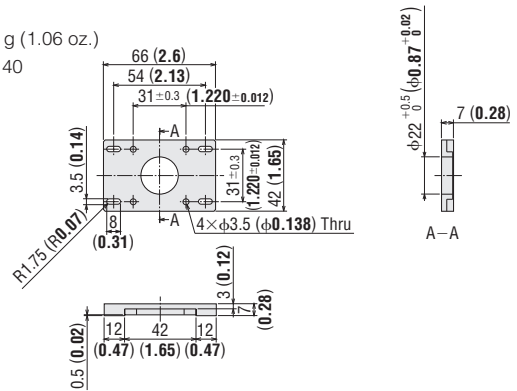
**CAD** B267



**PAFOP**

Mass: 30 g (1.06 oz.)

**CAD** B140

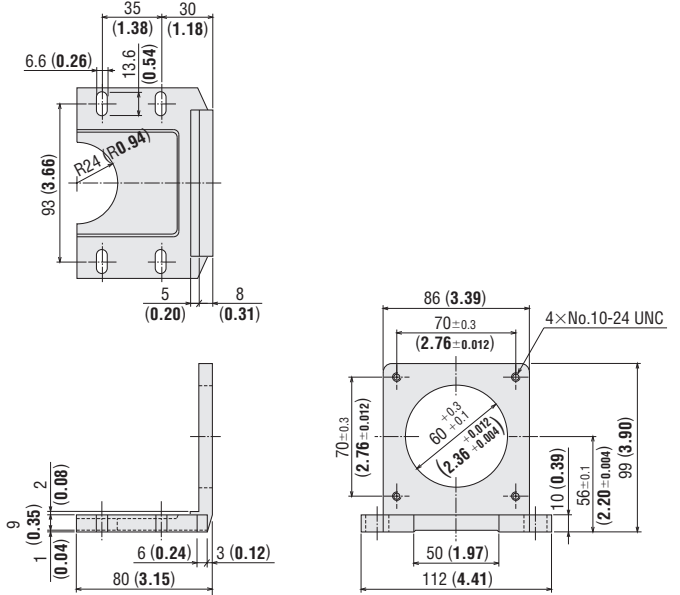


- Screws (Included)  
M3P0.5 Length 7 mm (0.28 in.) ... 4 pieces

**PAL4P-5A**

Mass: 250 g (8.8 oz.)

**CAD** B145

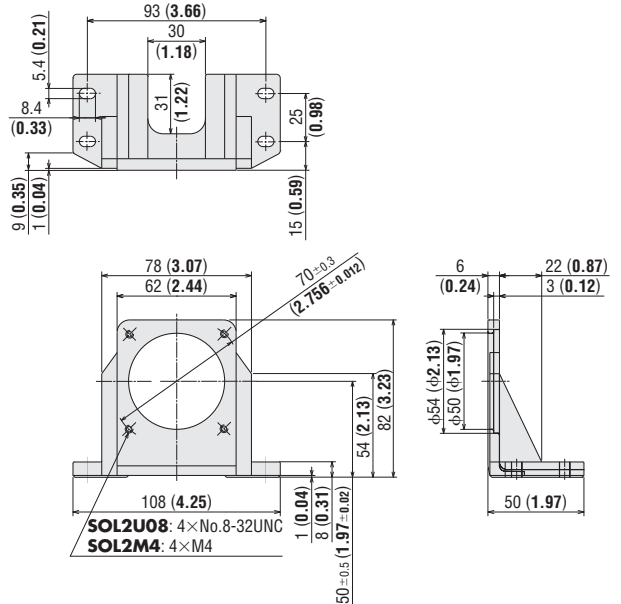


- Screws (Included)  
No.10-24 UNC Length 15.875 mm (0.625 in.) ... 4 pieces

**SOL2M4**

Mass: 135 g (4.8 oz.)

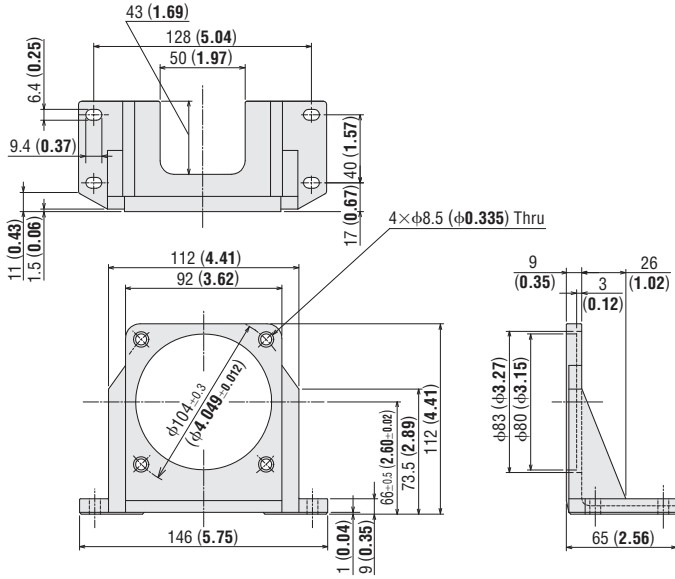
**CAD** A321



**SOL5B-A**

Mass: 270 g (9.5 oz.)

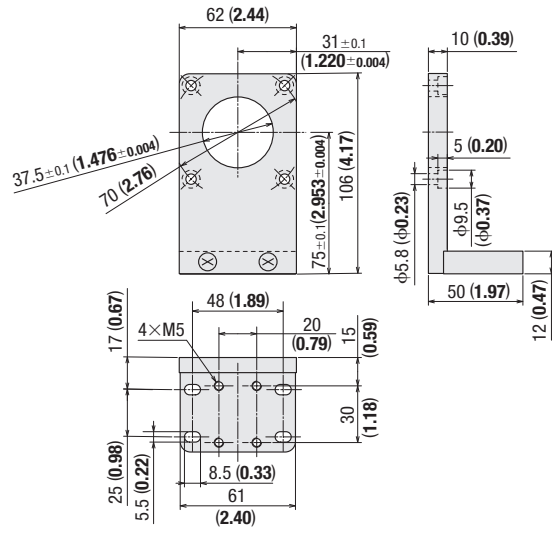
**CAD** B271



**PLA60G**

Mass: 0.7 kg (1.54 lb.)

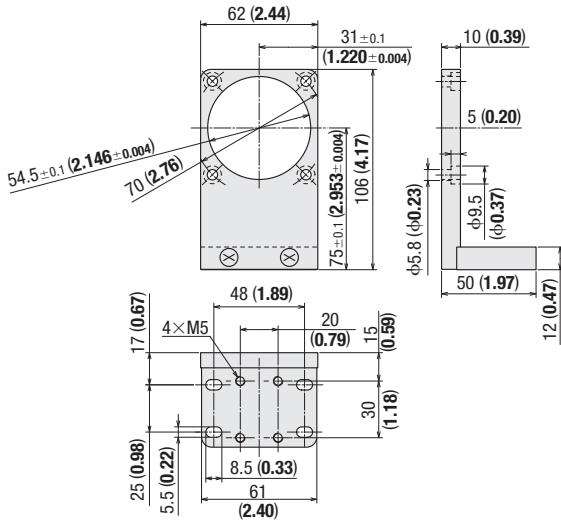
**CAD** B634



**PLA60H**

Mass: 0.7 kg (1.54 lb.)

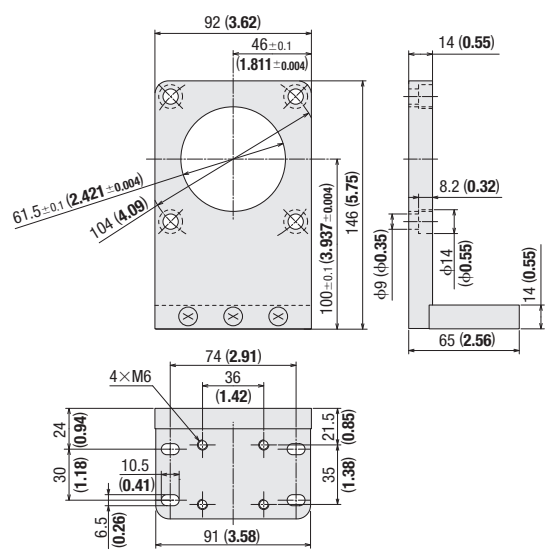
**CAD** B635



**PLA90G**

Mass: 1.6 kg (3.5 lb.)

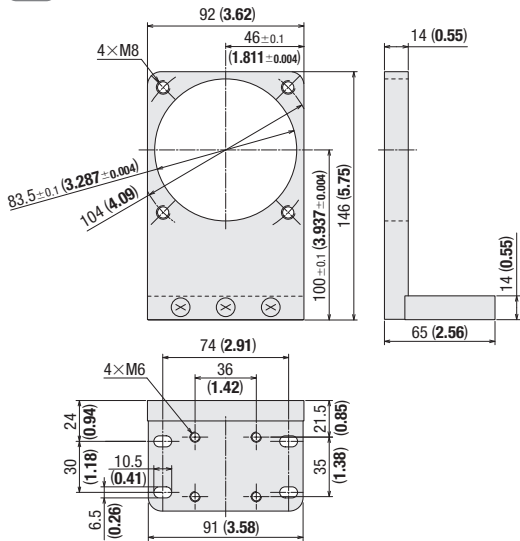
**CAD** B637



**PLA90H**

Mass: 1.6 kg (3.5 lb.)

**CAD** B638





# DIN Rail Mounting Bracket RoHS

Use to mount the driver on DIN rail.

## Product Line

Material: SPCC Surface Treatment: Trivalent Chromate

Product Name	List Price
<b>MADPO2</b>	\$29.00



- DIN rail should be mounted on highly thermal conductive flat metal plate, comparable to 200 mm×200 mm×2 mm (7.87 in×7.87 in×0.08 in). Be sure to keep the ambient temperature of the driver 0~+40°C (+32~+104°F).

# Communication Cable for Data Setting Software RoHS

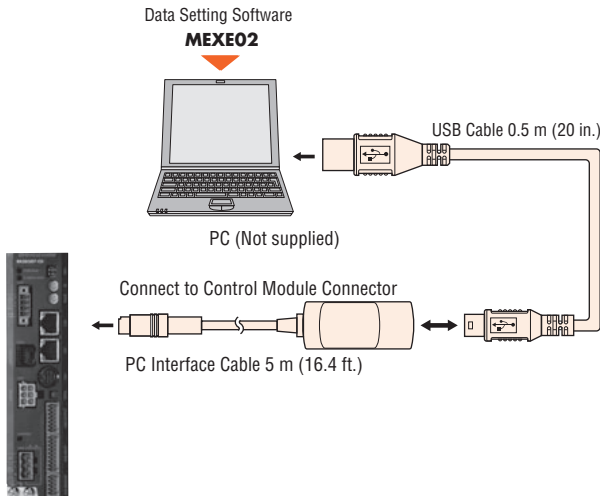
This communication cable is required for connecting to the computer on which the data setting software is installed.



## Product Line

Product Name	Applicable Product	List Price
<b>CC05IF-USB</b>	Built-in Controller Type	\$120.00

## Connection between Computer and Driver



### Note

- To connect with PC, exclusive device driver should be installed.

## Data Setting Software MEXE02

The data setting software can be downloaded from the Oriental Motor website.

For details, please inquire via the website or contact the nearest Oriental Motor sales office.  
www.orientalmotor.com

## Operating Environment

### Operating Systems (OS)

- Microsoft Windows 2000 Professional Service Pack 4  
Be sure to install Rollup 1 provided by Microsoft Corporation. Check whether Rollup 1 has been installed in "Add or remove programs".

For the following operating systems, both the 32-bit (x86) edition and 64-bit (x64) edition are supported.

- Microsoft Windows XP Home Edition Service Pack 3
  - Microsoft Windows XP Professional Service Pack 2
  - Microsoft Windows XP Professional Service Pack 3\*
  - Microsoft Windows Vista Home Basic Service Pack 2
  - Microsoft Windows Vista Home Premium Service Pack 2
  - Microsoft Windows Vista Business Service Pack 2
  - Microsoft Windows Vista Ultimate Service Pack 2
  - Microsoft Windows Vista Enterprise Service Pack 2
  - Microsoft Windows 7 Starter Service Pack 1
  - Microsoft Windows 7 Home Premium Service Pack 1
  - Microsoft Windows 7 Professional Service Pack 1
  - Microsoft Windows 7 Ultimate Service Pack 1
  - Microsoft Windows 7 Enterprise Service Pack 1
- \*Supports 32-bit (x86) version only

### Computer

Recommended CPU*1	Intel Core Processor 2 GHz or more (The OS must be supported.)
Display	high resolution video adapter and monitor, XGA (1024x768) or more.
Recommended Memory*1	32-bit (x86) version: 1 GB or more 64-bit (x64) version: 2 GB or more
Hard Disk*2	Available disk space of 30 MB or more
USB Port	USB 1.1 1 port
Disk Device	CD-ROM drive (use for installation of software)

\*1 The OS operating conditions must be satisfied.

\*2 Microsoft .NET Framework 2.0 Service Pack 2 is required to use MEXE02. If it is not already installed, it will be installed automatically, in which case up to 500 MB of additional space is required.

- Windows and Windows Vista are registered trademark of Microsoft Corporation in the United States and other countries. Pentium is a trademark of Intel Corporation.
- Please refer to our website for the latest update of operating environment.

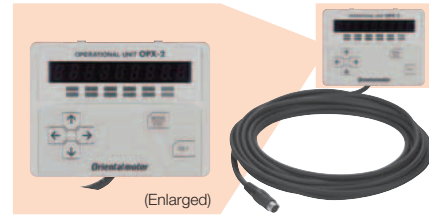
### Notes

- The required memory and hard disk space may vary depending on the system environment.
- Windows and Windows Vista are registered trademarks of the Microsoft Corporation in the United States and other countries.

# Control Module RoHS

Perform operations such as setting the driver's internal parameters and setting or changing the data.

It can also be used for operations such as speed and I/O monitoring, and teaching.



## Product Line

Product Name	Applicable Product	List Price
<b>OPX-2A</b>	Built-in Controller Type	\$300.00

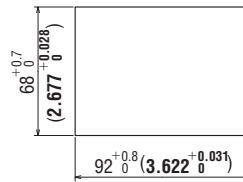
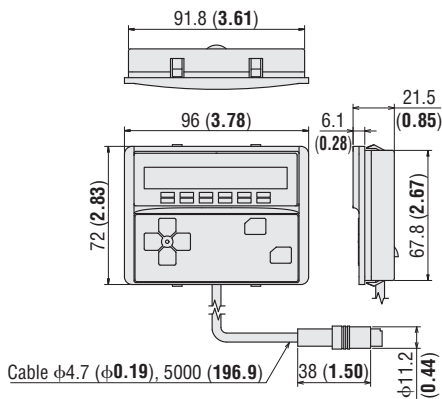
## Dimensions Unit = mm (in.)

### Control Module

Mass: 0.25 kg (0.55 lb.) CAD B453

### Panel Cut-Out for Control Module

[Thickness of the mounting plate: 1~3 mm (0.04~0.12 in.)]



# Driver Cable

## General-Purpose Cables RoHS

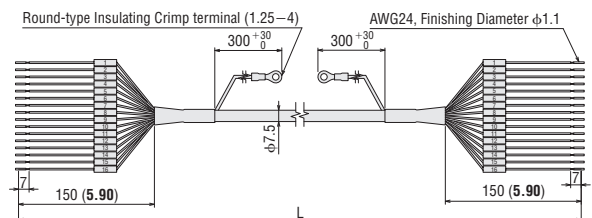


General-purpose multiconductor cable which is convenient for connection between the driver and the host controller.

## Product Line

Product Name	Length m (ft.)	List Price
<b>CC16D005B-1</b>	0.5 (1.65)	\$34.00
<b>CC16D010B-1</b>	1.0 (3.3)	\$39.00
<b>CC16D015B-1</b>	1.5 (4.95)	\$44.00
<b>CC16D020B-1</b>	2.0 (6.6)	\$49.00

## Dimensions Unit = mm (in.)



# RS-485 Communication Cable RoHS

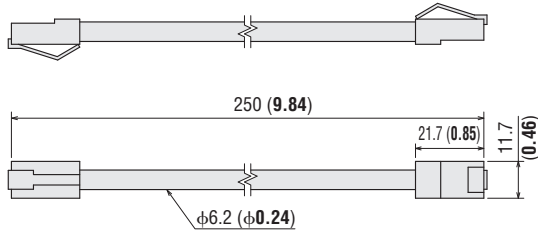
This cable is used to link drivers in multi-axis operations.  
It also connects the network converter to the driver.



## Product Line

Product Name	Length m (ft.)	Applicable Product	List Price
<b>CC002-R54</b>	0.25 (0.82)	Built-in Controller Type	\$33.00

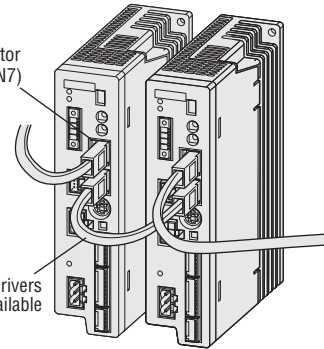
## Dimensions Unit = mm (in.)



● Example of connection

RS-485 Communication Connector (CN6/CN7)

Link between drivers is available



# Network Converters RoHS

The network converter is a transducer that converts from the host communication protocol to RS-485 communication protocol. Use the network converter to control products supporting Oriental Motor's RS-485 Built-in Controller (Stored Data) type drivers in the host communication environment.

## Product Line

Network Type	Product Name	List Price
CC-Link Compatible	<b>NETC01-CC</b>	\$282.00
MECHATROLINK - II Compatible	<b>NETC01-M2</b>	\$358.00
MECHATROLINK - III Compatible	<b>NETC01-M3</b>	\$ Call
EtherCAT Compatible	<b>NETC01-ECT</b>	\$245.00



**NETC01-CC**



**NETC01-M2**



**NETC01-M3**



**NETC01-ECT**

# Controller

## Universal Controller

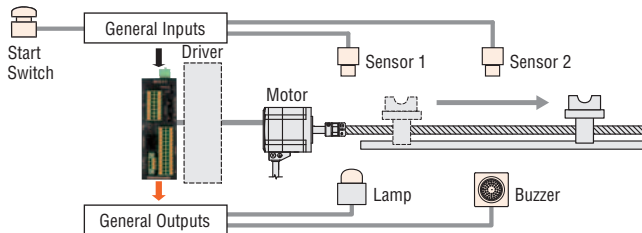
### SCX11 RoHS

The **SCX11** Universal Controller is a highly functional and sophisticated controller, equipped with program editing and execution functions. The **SCX11** is also able to control the motor via various serial ports such as USB, RS-232C and **CANopen**. Use the **SCX11** to support Oriental Motor's Pulse Input Type drivers.



### Feature

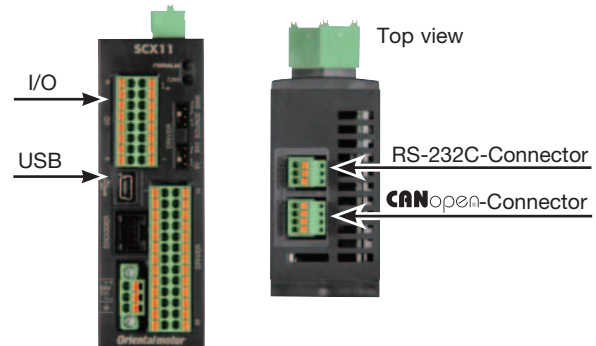
- 100 Sequence Programs can be Stored
- Stored Program with GUI
- USB Connection to PC
- Various Interfaces for Operation
- External Encoder Input
- Stand Alone Operation Using Sensors and Switches



### Product Line

Product Name	List Price
<b>SCX11</b>	\$349.00

### Various Interfaces for Operation



- Direct Command Operation via CANopen
- Operations Using a PC or PLC

Specifications are subject to change without notice. This catalog was published in October, 2013.

## ORIENTAL MOTOR U.S.A. CORP.

**Western Sales and Customer Service Center**  
 Tel: (310) 715-3301 Fax: (310) 225-2594  
 Los Angeles  
 Tel: (310) 715-3301  
 San Jose  
 Tel: (408) 392-9735

**Midwest Sales and Customer Service Center**  
 Tel: (847) 871-5900 Fax: (847) 472-2623  
 Chicago  
 Tel: (847) 871-5900  
 Dallas  
 Tel: (214) 432-3386  
 Toronto  
 Tel: (905) 502-5333

**Eastern Sales and Customer Service Center**  
 Tel: (781) 848-2426 Fax: (781) 848-2617  
 Boston  
 Tel: (781) 848-2426  
 Charlotte  
 Tel: (704) 766-1335  
 New York  
 Tel: (973) 359-1100

**Technical Support**  
 Tel: (800) 468-3982 / 8:30 A.M. to 5:00 P.M., P.S.T. (M-F)  
 7:30 A.M. to 5:00 P.M., C.S.T. (M-F)  
 E-mail: [techsupport@orientalmotor.com](mailto:techsupport@orientalmotor.com)

**Obtain Specifications, Online Training and Purchase Products at:**  
[www.orientalmotor.com](http://www.orientalmotor.com)