

Standard AC Motors

Accessories

Overview,
Product
Series

Constant
Speed
Motors

Three-Phase
Induction
Motors

Single-Phase
Induction
Motors

Reversible
Motors

Electromagnetic
Brake Motors

Clutch &
Brake Motors

Low-Speed
Synchronous
Motors

Torque
Motors

Watertight,
Dust-Resistant
Motors

Right-Angle
Gearheads

Linear
Heads

Brake Pack

Accessories

Accessories

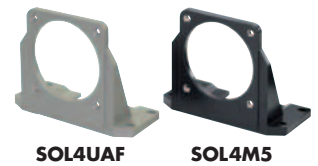
Installation

Page

Motor/Gearhead Mounting Brackets.....	C-196
Torque Arms	C-200
Flexible Couplings	C-201
Capacitor Mounting Bracket	C-208
CR Circuit for Surge Suppression	C-208

Motor/Gearhead Mounting Brackets

This is an aluminum die cast mounting bracket for gearheads and geared motors. There are also high-strength types available for high-power motors and gearheads. Long, horizontal holes make it easy to make fine adjustments during installation.



Product Line

Material: Aluminum alloy Surface treatment: paint

Standard AC Motors

Select the pinion shaft type based on the gearhead to be attached.

Product Name	List Price	Applicable Product		
		Combination Type	Gearhead	Round Shaft Type
SOL2U08F	\$22.00	2IK6U	—	—
SOL2U08	\$27.00	—	2GN□SA	2IK6
SOL2M4	\$27.00	—	2GN10XS (Decimal Gearhead)*	—
SOL3UAF	\$25.00	3IK15U	—	—
SOL3U10	\$30.00	—	3GN□SA	3IK15
SOL3M5	\$30.00	—	3GN10XS (Decimal Gearhead)*	—
SOL4UAF	\$27.00	4IK25U	—	—
SOL4U10	\$32.00	—	4GN□SA	4IK25
SOL4M5	\$32.00	—	4GN10XS (Decimal Gearhead)*	—
SOL5UBF	\$29.00	5IK60ES 5IK100ES 5IK40U 5IK60U 5IK90U	—	—
SOL5M6F	\$30.00	—	—	5IK60VA 5IK100VA
SOL5UA	\$34.00	—	5GN□SA 5GE□SA	5IK40 5IK60 5IK90
SOL5M6	\$34.00	—	5GN10XS (Decimal Gearhead)* 5GE10XS (Decimal Gearhead)*	—
SOL6M8	\$37.00	BHI62-□	—	BHI62-A

*Use this mounting bracket when using a decimal gearhead with parallel shaft gearhead.

- A number indicating the gear ratio is entered where the box □ is located within the product name.
- Letters are provided in the applicable products table for identifying the series.

Note

- Product names with an "F" on the end are painted the same misty gray metallic as the **KIIS** Series and **KII** Series. Choose the products after confirming the products to be assembled.
- Not available for the following products.
KIIS Series Right-Angle Geared Motor
 Right-Angle Gearhead (**RH** Type, **RAA** Type)
 Right-Angle Shaft Type (**BH** Series)

● **Brushless Motors and AC Speed Control Motors**

● Select the pinion shaft type based on the gearhead to be attached.

Product Name	List Price	Applicable Product			
		Brushless Motors		AC Speed Control Motors	
		Combination Type	Round Shaft Type	Combination Type	Round Shaft Type
SOL0U04	\$23.00	–	BLH015-A	–	–
SOL0B	\$23.00	BLH015- <input type="checkbox"/>	–	–	–
SOL2U08F	\$22.00	BMU230	BMU230 BMU260	DSCI26	DSCI26
SOL2M4	\$27.00	BLE23 BXS230 BLH230	BLE23 BXS230 BLH230	–	–
SOL3UAF	\$25.00	–	–	DSCI315	–
SOL3M5F	\$26.00	–	–	–	DSCI315
SOL4UAF	\$27.00	BMU460S	–	DSCI425	–
SOL4M5F	\$28.00	–	–	–	DSCI425
SOL4M6	\$32.00	BLE46 BXS460 BLH450	BLE46 BXS460 BLH450	–	–
SOL5UBF	\$29.00	BMU5120	BMU5120 BMU5200	DSCI540 DSCI560 DSCI590	–
SOL5M6F	\$30.00	–	–	–	DSCI540 DSCI560 DSCI590
SOL5M8	\$34.00	BLE512 BXS5120 BLH5100	BLE512 BXS5120 BLH5100	–	–
SOL6UBF	\$33.00	BMU6200	–	–	–
SOL6M8	\$37.00	BXS6200 BXS6400	BXS6200 BXS6400	–	–

● A number indicating the gear ratio is entered where the box is located within the product name.

● Letters are provided in the applicable products table for identifying the series.

Note

● Not available for the following products.

Hollow Shaft Flat Gearhead (**GFS2G****FR**, **GFS4G****FR**, **GFS5G****FR**, **GFS6G****FR**)

Overview,
Product
Series

Constant
Speed
Motors

Three-Phase
Induction
Motors

Single-Phase
Induction
Motors

Reversible
Motors

Electromagnetic
Brake Motors

Clutch &
Brake Motors

Low-Speed
Synchronous
Motors

Torque
Motors

Watertight,
Dust-Resistant
Motors

Right-Angle
Gearheads

Linear
Heads

Brake Pack

Accessories

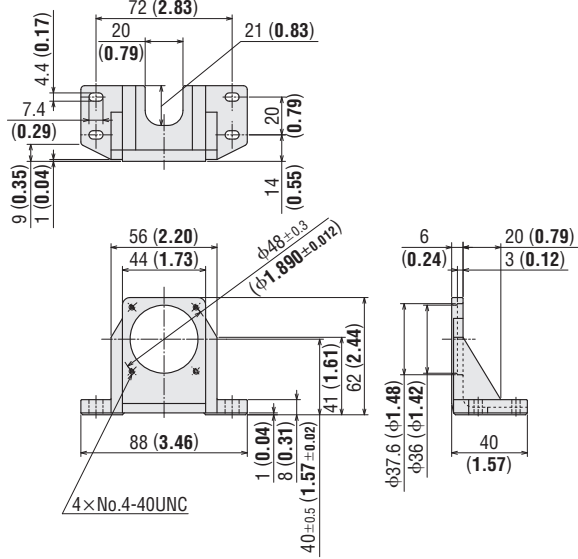
Installation

Dimensions Unit = mm (in.)

SOLOU04

Mass: 85 g (3.0 oz.)

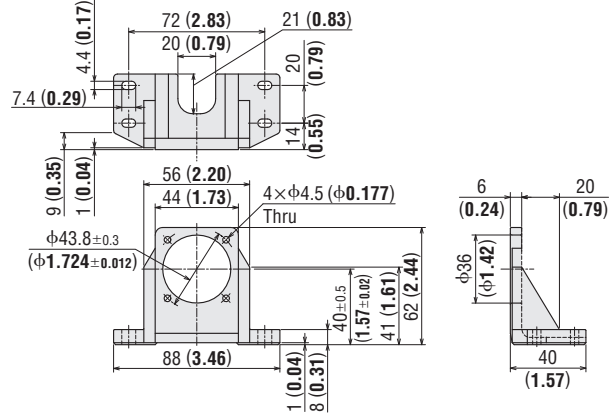
2D CAD A320U 3D CAD



SOLOB

Mass: 85 g (3.0 oz.)

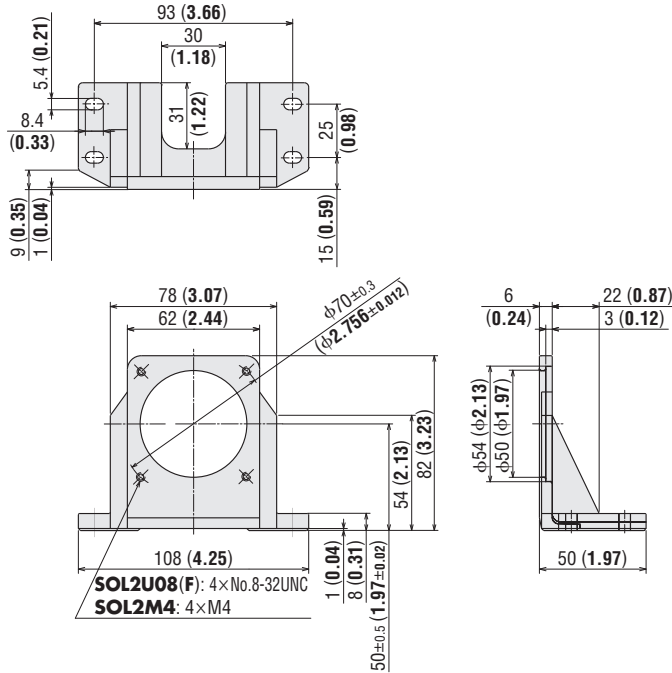
2D CAD B267 3D CAD



SOL2U08F, SOL2U08, SOL2M4

Mass: 135 g (4.8 oz.)

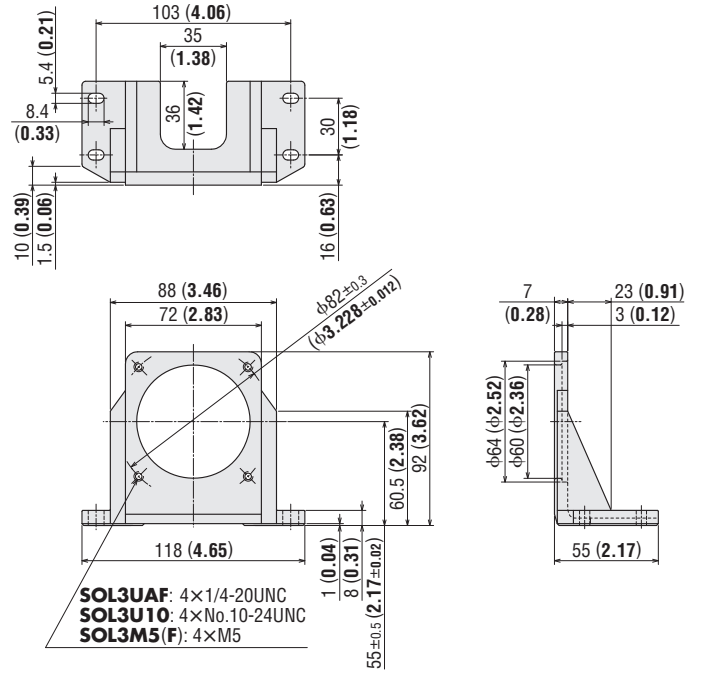
2D CAD A1354 (SOL2U08F) 3D CAD
A321U (SOL2U08)
A321 (SOL2M4)



SOL3UAF, SOL3U10, SOL3M5F, SOL3M5

Mass: 175 g (6.2 oz.)

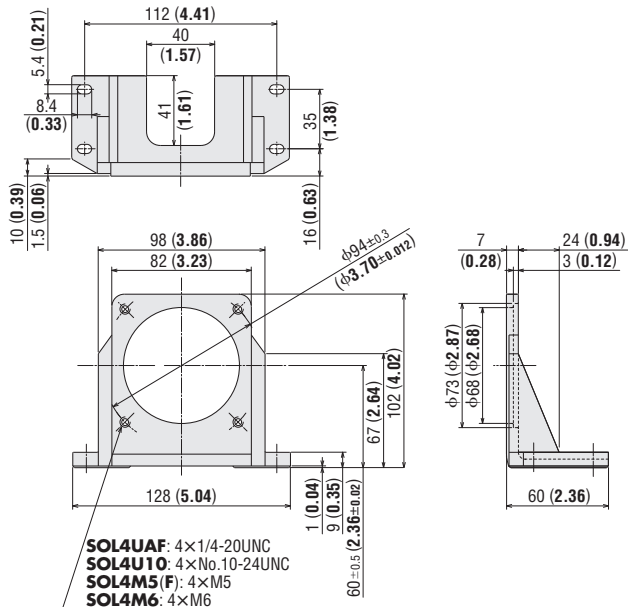
2D CAD A1355 (SOL3UAF) 3D CAD
A322U (SOL3U10)
A322 (SOL3M5F, SOL3M5)



SOL4UAF, SOL4U10, SOL4M5F, SOL4M5, SOL4M6

Mass: 210 g (7.4 oz.)

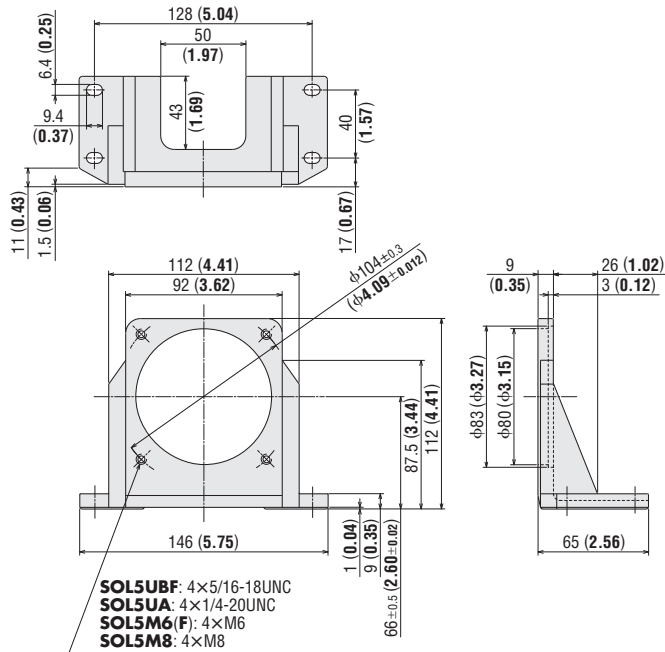
2D CAD A1356 (**SOL4UAF**) **3D CAD**
 A236U (**SOL4U10**)
 A236 (**SOL4M5F, SOL4M5**)
 A237 (**SOL4M6**)



SOL5UBF, SOL5UA, SOL5M6F, SOL5M6, SOL5M8

Mass: 270 g (9.5 oz.)

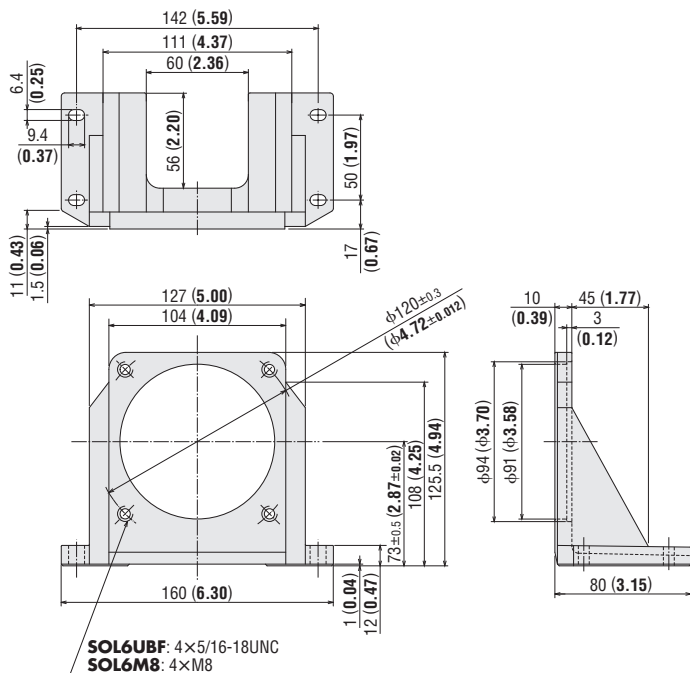
2D CAD A1357 (**SOL5UBF**) **3D CAD**
 A238U (**SOL5UA**)
 A238 (**SOL5M6F, SOL5M6**)
 A239 (**SOL5M8**)



SOL6UBF, SOL6M8

Mass: 430 g (15.2 oz.)

2D CAD A1358 (**SOL6UBF**) **3D CAD**
 A240 (**SOL6M8**)



Overview,
Product
Series

Constant
Speed
Motors

Three-Phase
Induction
Motors

Single-Phase
Induction
Motors

Reversible
Motors

Electromagnetic
Brake Motors

Clutch &
Brake Motors

Low-Speed
Synchronous
Motors

Torque
Motors

Watertight,
Dust-Resistant
Motors

Right-Angle
Gearheads

Linear
Heads

Brake Pack

Accessories

Installation

Torque Arms

In order to prevent gearheads from rotating due to the reactive force of the shaft being driven, the torque arm acts as an anti-spin mechanism when a right-angle, hollow shaft type gearhead is installed.



SOT5A



SOT6

Product Line

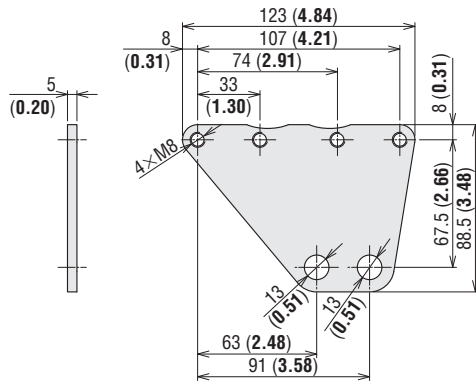
Product Name	List Price	Applicable Product
SOT5A	\$23.00	5IK100-GHR
SOT6	\$24.00	5GE□RH BHI62-RH

Dimensions Unit = mm (in.)

SOT5A

Mass: 275 g (9.7 oz.)

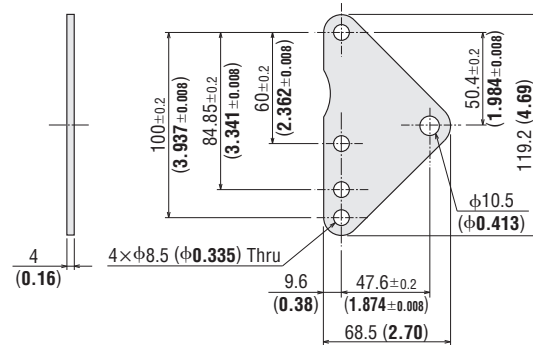
2D CAD A1331 3D CAD



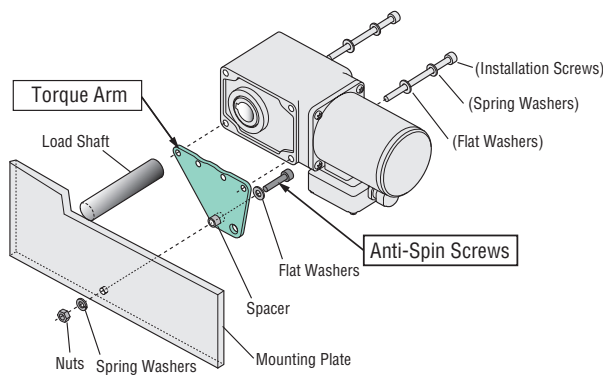
SOT6

Mass: 145 g (5.1 oz.)

2D CAD A1332 3D CAD



Mounting Method



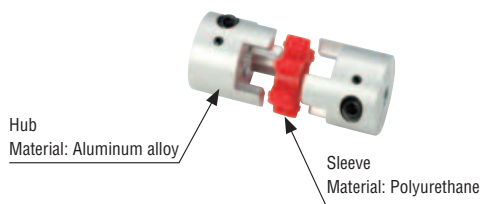
● The parentheses () indicate what is included with the motor.

Flexible Couplings

These products are clamp type couplings used to connect a motor or gearhead shaft to the shaft of the equipment. Once the motor or gearhead is determined, the proper coupling can be selected.

Features

- Good for high torque applications
- Excellent for preventing eccentricity
- The structure features a separated hub and sleeve, so workability during installation is improved.



Selecting a Flexible Coupling

Once the motor or gearhead, along with the shaft diameter of the equipment to be connected to is selected, the proper flexible coupling is easy to choose. **MCL** couplings are available in several external diameters that provide the strength required for the torque of the motor or gearhead.

Example **MCL 30 F06 F06**

Inner Diameter d1 Inner Diameter d2

- For uniform load, when the gearhead is **4GN□SA** (shaft outer diameter of $\phi 3/8$ in.) and the shaft diameter of the equipment to be connected is $\phi 3/8$ in., use **MCL30F06F06**.
- For impact-applied use, when the gearhead is **4GN□SA** (shaft outer diameter of $\phi 3/8$ in.) and the shaft diameter of the equipment to be connected is $\phi 3/8$ in., use **MCL40F06F06**.

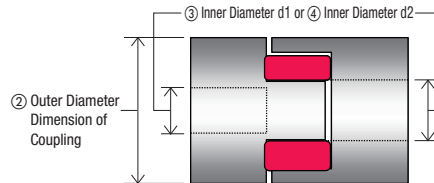


Product Number

MCL 40 F08 F10

① ② ③ ④

①	Flexible Coupling	
②	Outer Diameter of Coupling	20: $\phi 20$ mm ($\phi 0.79$ in.)~ 65: $\phi 65$ mm ($\phi 2.56$ in.)
③	Inner Diameter d1 (Small Inner Diameter)	06: $\phi 6$ mm ($\phi 0.2362$ in.)~ 25: $\phi 25$ mm ($\phi 0.9843$ in.) F03: 4.762 mm (3/16 in.)~ F12: 19.05 mm (3/4 in.)
④	Inner Diameter d2 (Large Inner Diameter)	06: $\phi 6$ mm ($\phi 0.2362$ in.)~ 25: $\phi 25$ mm ($\phi 0.9843$ in.) F03: 4.762 mm (3/16 in.)~ F12: 19.05 mm (3/4 in.)



Product Line

Product Name	List Price
MCL20 □	\$36.00
MCL30 □	\$51.00
MCL40 □	\$76.00
MCL55 □	\$97.00
MCL6518F10 MCL6518F12	\$147.00
MCL652022 MCL652222 MCL652225	\$191.00

● A number indicating the coupling inner diameter is entered where the box □ is located within the product name.

Overview, Product Series

Constant Speed Induction Motors

Three-Phase Induction Motors

Single-Phase Induction Motors

Reversible Motors

Electromagnetic Brake Motors

Clutch & Brake Motors

Low-Speed Synchronous Motors

Torque Motors

Watertight, Dust-Resistant Motors

Right-Angle Gearheads

Linear Heads

Brake Pack

Accessories

Installation

Applicable Products

- Couplings are also available for round shaft motors, if a shaft diameter matches.
- For the **BXII** Series round shaft type, refer to the **MCS** coupling.

Gearhead Product Name		Coupling Type	Shaft Diameter		Connected Device Shaft Diameter											
					F03	F04	F05	F06	F08	F10	F12	20	22	25		
Uniform Load	Shock Load		mm	in.	4.762 mm	6.350 mm	7.937 mm	9.525 mm	12.7 mm	15.875 mm	19.050 mm	20 mm	22 mm	25 mm		
					3/16 in.	1/4 in.	5/16 in.	3/8 in.	1/2 in.	5/8 in.	3/4 in.	0.7874 in.	0.8661 in.	0.9843 in.		
—	—	MCL20	F03	4.762	3/16	●	●	●								
BLH015	BLH015		O6	6	0.2362	●	●	●								
—	—		F04	6.350	1/4	●	●	●								
2GN□SA	—		F05	7.937	5/16	●	●	●								
—	—		O8	8	0.3150		●	●								
—	—	MCL30	F04	6.350	1/4		●	●								
—	2GN□SA		F05	7.937	5/16		●	●	●							
—	—		O8	8	0.3150		●	●	●							
2IK6, 3GN□SA, 4GN□SA, 4GN□RAA, 5GN□RAA, BMU230, DSCI26	2IK6, 3GN□SA, BMU230, DSCI26		F06	9.525	3/8			●	●	●						
BLE23, BXS230, BLH230	BLE23, BXS230, BLH230		10	10	0.3937			●	●	●						
—	—		12	12	0.4724			●	●	●						
3IK15, 5GN□SA, DSCI315	—		F08	12.7	1/2			●	●							
—	—		F05	7.937	5/16			●	●							
—	4GN□SA, 4GN□RAA, 5GN□RAA		F06	9.525	3/8			●	●	●						
—	—		10	10	0.3937			●	●	●						
—	—	12	12	0.4724			●	●	●	●						
—	3IK15, 5GN□SA, DSCI315	F08	12.7	1/2			●	●	●							
—	—	14	14	0.5512			●	●	●							
BLE46, BXS460, BLH450	—	15	15	0.5906			●	●	●							
4IK25, 5GE□SA, 5GE□RAA, BMU460, DSCI425	—	F10	15.875	5/8					●	●						
—	BLE46, BXS460, BLH450	15	15	0.5906					●	●	●					
—	4IK25, 5GE□SA, 5GE□RAA, BMU460, DSCI425	F10	15.875	5/8						●	●					
BHI62-□, BLE512, BXS5120, BLH5100	BLE512, BXS5120, BLH5100	18	18	0.7087						●	●					
5IK40, 5IK60, 5IK90, 5IK100, BMU5120, DSCI540, DSCI560, DSCI590	5IK40, 5IK60, 5IK90, 5IK100, BMU5120, DSCI540, DSCI560, DSCI590	F12	19.050	3/4						●						
—	BHI62-□	18	18	0.7087						●	●					
5IK100-GA□□, BHI62-□RA, BXS6200, BXS6400	5IK100-GA□□, BHI62-□RA, BXS6200, BXS6400	22	22	0.8661								●	●	●		

- A number indicating the gear ratio is entered where the box □ is located within the product name.
- The letter **R** or **L** is entered where the box ■ is located within the product name to indicate the output shaft direction.
- Letters are provided in the applicable products table for identifying the series.

Specifications

Coupling Type	Product Name	Dimensions				Nominal Torque	Mass	Moment of Inertia: J	Permissible Eccentricity	Permissible Declination	Permissible End Play
		Outer Diameter mm (in.)	Length mm (in.)	Shaft Hole Diameter mm (in.)	Shaft Hole Diameter mm (in.)						
MCL20	MCL20F03F03	φ20 (φ0.79)	29 (1.14)	4.762 (0.1875)	4.762 (0.1875)	5 (44)	19 (0.67)	0.01 (0.055)	0.15 (5.9×10 ⁻³)	+0.8 0 (+0.031 0)	
	MCL20F03F04				6.35 (0.2500)						
	MCL20F03F05				7.937 (0.3125)						
	MCL2006F03			6 (0.2362)	4.762 (0.1875)						
	MCL2006F04				6.35 (0.2500)						
	MCL2006F05				7.937 (0.3125)						
	MCL20F04F04			6.35 (0.2500)	7.937 (0.3125)						6.35 (0.2500)
	MCL20F04F05										7.937 (0.3125)
	MCL20F05F05										7.937 (0.3125)
MCL2008F04	8 (0.3150)	7.937 (0.3125)	6.35 (0.2500)								
MCL2008F05			7.937 (0.3125)								
MCL30	MCL30F04F05	φ30 (φ1.18)	43.5 (1.71)	6.35 (0.2500)	7.937 (0.3125)	12.5 (110)	66 (2.3)	0.083 (0.45)	+1.0 0 (+0.039 0)		
	MCL30F05F05				7.937 (0.3125)						
	MCL30F05F06			9.525 (0.3750)							
	MCL3008F04			8 (0.3150)	6.35 (0.2500)						
	MCL3008F05				7.937 (0.3125)						
	MCL3008F06				9.525 (0.3750)						
	MCL30F06F06			9.525 (0.3750)	12.7 (0.5000)					9.525 (0.3750)	
	MCL30F06F08									12.7 (0.5000)	
	MCL3010F05									7.937 (0.3125)	
	MCL3010F06			10 (0.3937)	9.525 (0.3750)					9.525 (0.3750)	
	MCL3010F08									12.7 (0.5000)	
	MCL3012F05			12 (0.4724)	9.525 (0.3750)					7.937 (0.3125)	
	MCL3012F06									9.525 (0.3750)	
	MCL3012F08									12.7 (0.5000)	
MCL30F08F08	12.7 (0.5000)	12.7 (0.5000)									
MCL40	MCL40F05F06	φ40 (φ1.57)	64 (2.52)	7.937 (0.3125)	9.525 (0.3750)	25.0 (220)	150 (5.3)	0.36 (1.97)	0.2 (7.9×10 ⁻³)	+1.2 0 (+0.047 0)	
	MCL40F06F06				9.525 (0.3750)						
	MCL40F06F08			12.7 (0.5000)							
	MCL4010F05			10 (0.3937)	7.937 (0.3125)						
	MCL4010F06				9.525 (0.3750)						
	MCL4010F08				12.7 (0.5000)						
	MCL4012F06			12 (0.4724)	9.525 (0.3750)						9.525 (0.3750)
	MCL4012F08										12.7 (0.5000)
	MCL4012F10										15.875 (0.6250)
	MCL40F08F08			12.7 (0.5000)	15.875 (0.6250)						12.7 (0.5000)
	MCL40F08F10										15.875 (0.6250)
	MCL4014F06										9.525 (0.3750)
	MCL4014F08			14 (0.5512)	12.7 (0.5000)						12.7 (0.5000)
	MCL4014F10										15.875 (0.6250)
	MCL4015F06			15 (0.5906)	9.525 (0.3750)						9.525 (0.3750)
	MCL4015F08										12.7 (0.5000)
	MCL4015F10										15.875 (0.6250)
MCL40F10F10	15.875 (0.6250)	15.875 (0.6250)									
MCL55	MCL5515F08	φ55 (φ2.17)	76 (2.99)	15 (0.5906)	12.7 (0.5000)	60.0 (530)	350 (12.4)	1.6 (8.8)	+1.4 0 (+0.055 0)		
	MCL5515F10				15.875 (0.6250)						
	MCL5515F12				19.05 (0.7500)						
	MCL55F10F10			15.875 (0.6250)	15.875 (0.6250)						
	MCL55F10F12				19.05 (0.7500)						
	MCL5518F10				15.875 (0.6250)						
MCL5518F12	18 (0.7087)	19.05 (0.7500)									
MCL65	MCL6518F10	φ65 (φ2.56)	87.5 (3.44)	18 (0.7087)	15.875 (0.6250)	160 (1410)	570 (20)	3.7 (20)	+1.5 0 (+0.059 0)		
	MCL6518F12				19.05 (0.7500)						
	MCL652022				22 (0.8661)						
	MCL652222			22 (0.8661)							
	MCL652225			25 (0.9843)							

● The specifications above are the values when combined with Oriental Motor's motor and gearhead.

Overview,
Product
Series

Constant
Speed
Motors

Three-Phase
Induction
Motors

Single-Phase
Induction
Motors

Reversible
Motors

Electromagnetic
Brake Motors

Clutch &
Brake Motors

Low-Speed
Synchronous
Motors

Torque
Motors

Watertight,
Dust-Resistant
Motors

Right-Angle
Gearheads

Linear
Heads

Brake Pack

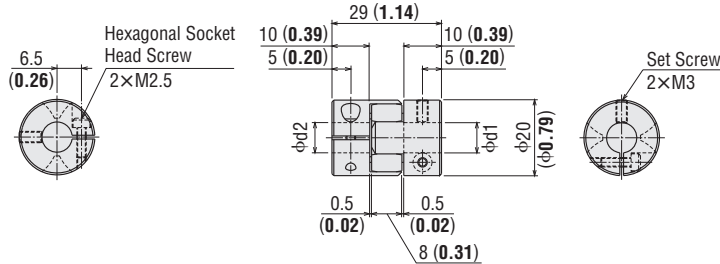
Accessories

Installation

Dimensions Unit = mm (in.)

MCL20 Type

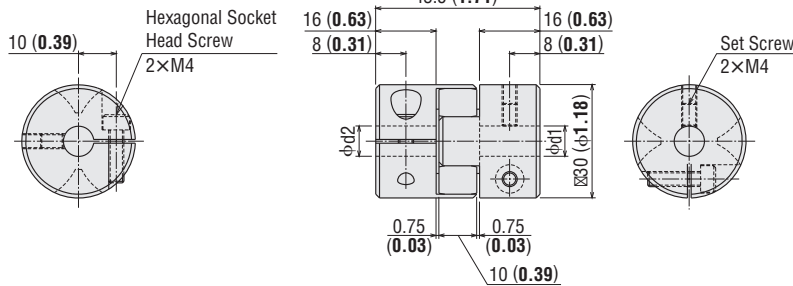
2D CAD A704 3D CAD



Shaft Hole Diameter [φd1, φd2]	Tolerance
F03: φ4.762 (φ0.1875) 06: φ6 (φ0.2362)	+0.018 0 (+0.0007 0)
F04: φ6.35 (φ0.2500) F05: φ7.937 (φ0.3125) 08: φ8 (φ0.3150)	+0.022 0 (+0.0009 0)

MCL30 Type

2D CAD A705 3D CAD



Shaft Hole Diameter [φd1, φd2]	Tolerance
F04: φ6.35 (φ0.2500) F05: φ7.937 (φ0.3125) 08: φ8 (φ0.3150) F06: φ9.525 (φ0.3750)	+0.022 0 (+0.0009 0)
F08: φ12.7 (φ0.5000)	+0.027 0 (+0.0011 0)

MCL3010F05

MCL3010F06

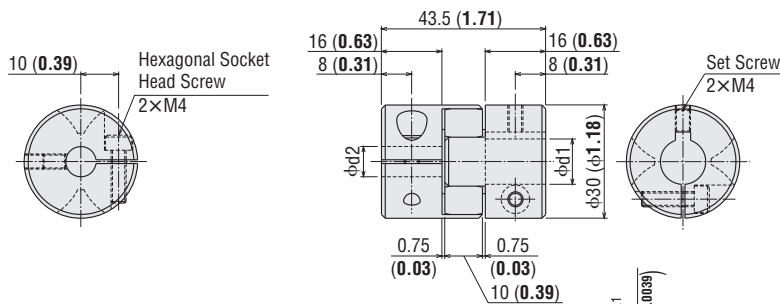
MCL3010F08

MCL3012F05

MCL3012F06

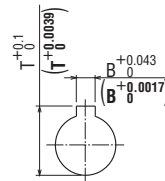
MCL3012F08

2D CAD A705 3D CAD



Shaft Hole Diameter [φd1]	Tolerance	Key Slot Width B	Key Slot Length T
10: φ10 (φ0.3937)	+0.022 0 (+0.0009 0)	4 (0.1575)	11.8 (0.465)
12: φ12 (φ0.4724)	+0.027 0 (+0.0011 0)		13.8 (0.543)

Shaft Hole Diameter [φd2]	Tolerance
F05: φ7.937 (φ0.3125) F06: φ9.525 (φ0.3750)	+0.022 0 (+0.0009 0)
F08: φ12.7 (φ0.5000)	+0.027 0 (+0.0011 0)



Key Slot

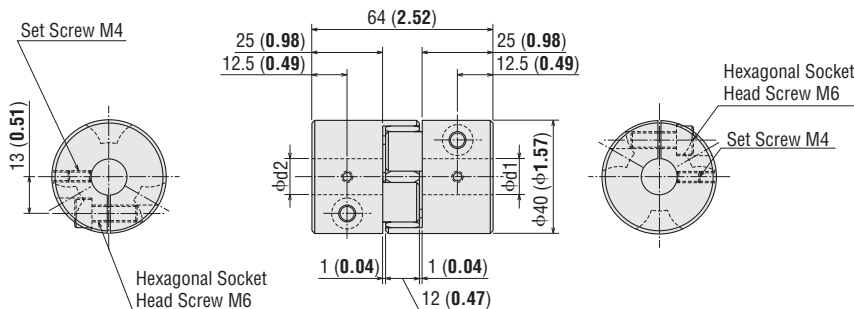
MCL40F05F06

MCL40F06F06

MCL40F06F08

MCL40F08F08

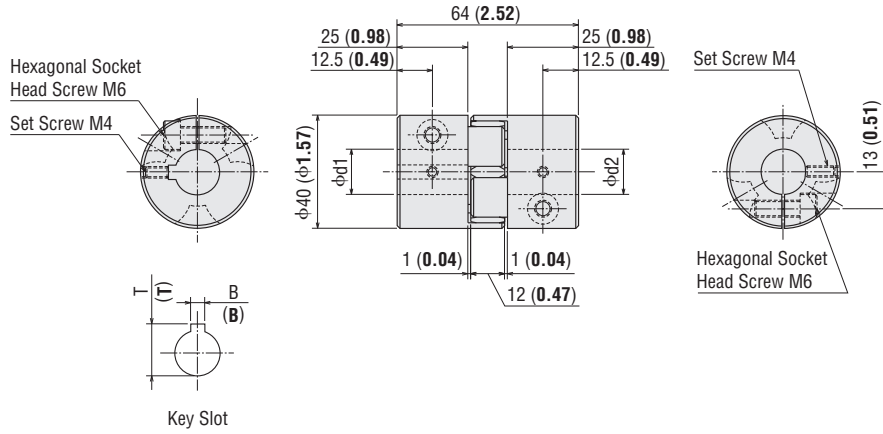
2D CAD A706 3D CAD



Shaft Hole Diameter [φd1, φd2]	Tolerance
F05: φ7.937 (φ0.3125) F06: φ9.525 (φ0.3750)	+0.022 0 (+0.0009 0)
F08: φ12.7 (φ0.5000)	+0.027 0 (+0.0011 0)

- MCL4010F05**
- MCL4010F06**
- MCL4010F08**
- MCL4012F06**
- MCL4012F08**
- MCL40F08F10**
- MCL4014F06**
- MCL4014F08**
- MCL4015F06**
- MCL4015F08**

2D CAD A706 3D CAD

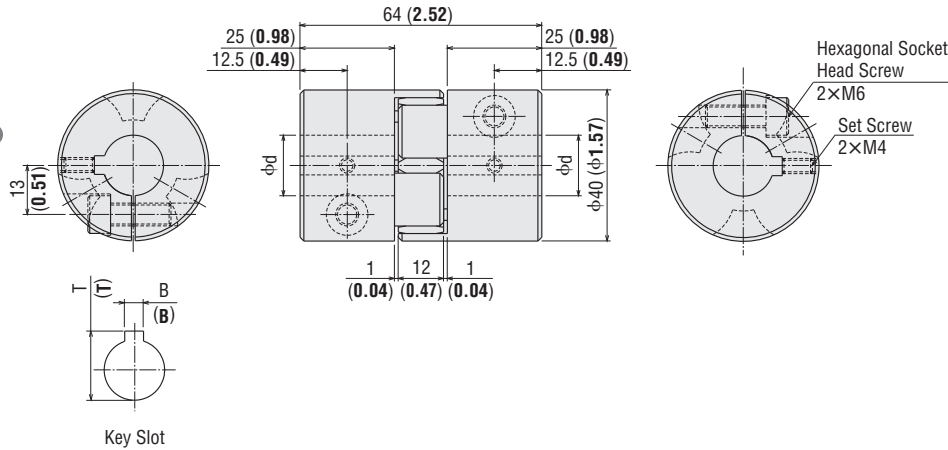


Shaft Hole Diameter [φd1]	Tolerance	Key Slot Width B	Tolerance	Key Slot Length T	Tolerance
10: φ10 (φ0.3937)	+0.022 0 (+0.0009 0)	4 (0.1575)	+0.043 0 (+0.0017 0)	11.8 (0.465)	+0.1 0 (+0.004 0)
12: φ12 (φ0.4724)				13.8 (0.543)	
14: φ14 (φ0.5512)	+0.027 0 (+0.0011 0)	5 (0.1969)		16.3 (0.642)	
15: φ15 (φ0.5906)				17.3 (0.681)	
F10: φ15.875 (φ0.6250)		4.763 (0.1875)	+0.051 0 (+0.0020 0)	18.009 (0.709)	+0.254 0 (+0.010 0)

Shaft Hole Diameter [φd2]	Tolerance
F05: φ7.937 (φ0.3125)	+0.022 0 (+0.0009 0)
F06: φ9.525 (φ0.3750)	
F08: φ12.7 (φ0.5000)	+0.027 0 (+0.0011 0)

- MCL4012F10**
- MCL4014F10**
- MCL4015F10**
- MCL40F10F10**

2D CAD A706 3D CAD



Shaft Hole Diameter (φd)	Tolerance	Key Slot Width B	Tolerance	Key Slot Length T	Tolerance
10: φ10 (φ0.3937)	+0.022 0 (+0.0009 0)	4 (0.1575)	+0.043 0 (+0.0017 0)	11.8 (0.465)	+0.1 0 (+0.004 0)
12: φ12 (φ0.4724)				13.8 (0.543)	
14: φ14 (φ0.5512)	+0.027 0 (+0.0011 0)	5 (0.1969)		16.3 (0.642)	
15: φ15 (φ0.5906)				17.3 (0.681)	
F10: φ15.875 (φ0.6250)		4.763 (0.1875)	+0.051 0 (+0.0020 0)	18.009 (0.709)	+0.254 0 (+0.010 0)

Overview, Product Series

Constant Speed Induction Motors

Three-Phase Induction Motors

Single-Phase Induction Motors

Reversible Motors

Electromagnetic Brake Motors

Clutch & Brake Motors

Low-Speed Synchronous Motors

Torque Motors

Watertight, Dust-Resistant Motors

Right-Angle Gearheads

Linear Heads

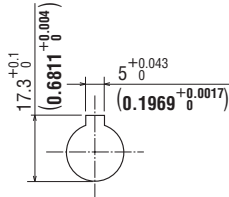
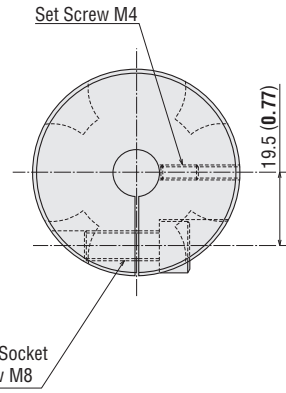
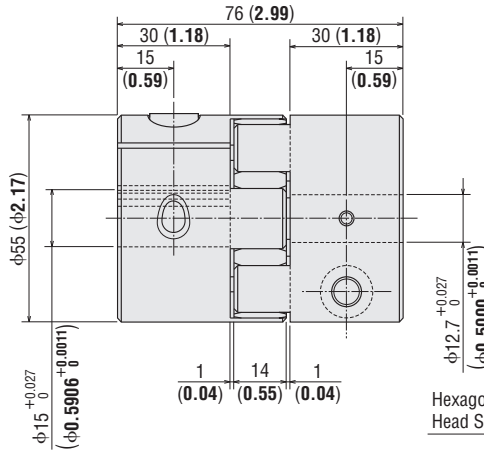
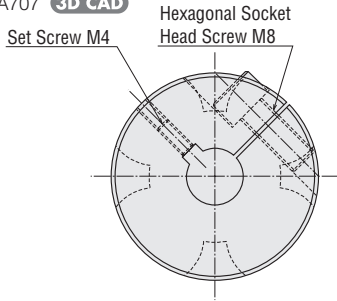
Brake Pack

Accessories

Installation

MCL5515F08

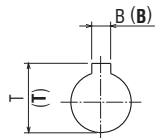
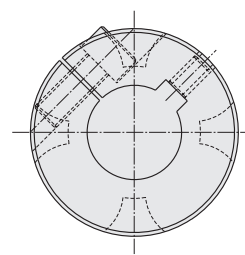
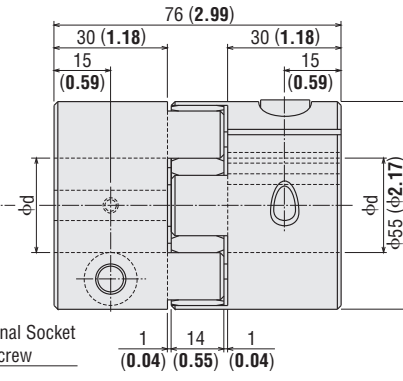
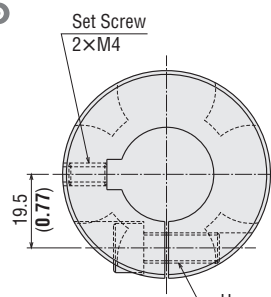
2D CAD A707 3D CAD



Key Slot

MCL55 Type

2D CAD A707 3D CAD

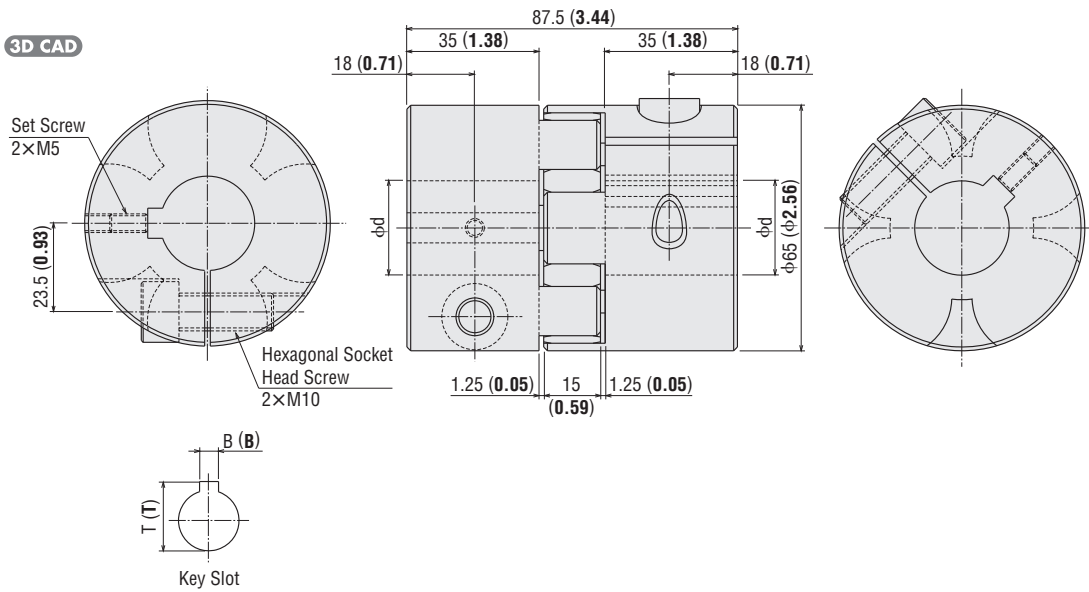


Key Slot

Shaft Hole Diameter (ϕd)	Tolerance	Key Slot Width B	Tolerance	Key Slot Length T	Tolerance
15: $\phi 15$ ($\phi 0.5906$)	$+0.027$ 0 ($+0.0011$)	5 (0.1969)	$+0.043$ 0 ($+0.0017$)	17.3 (0.681)	$+0.1$ 0 ($+0.004$)
18: $\phi 18$ ($\phi 0.7087$)		6 (0.2362)	$+0.052$ 0 ($+0.0020$)	20.8 (0.819)	
F10: $\phi 15.875$ ($\phi 0.6250$)	$+0.033$ 0 ($+0.0013$)	4.763 (0.1875)	$+0.051$ 0 ($+0.0020$)	18.009 (0.709)	$+0.254$ 0 ($+0.010$)
F12: $\phi 19.050$ ($\phi 0.7500$)		4.763 (0.1875)		21.260 (0.837)	

MCL65 Type

2D CAD A708 3D CAD



Shaft Hole Diameter (ϕd)	Tolerance	Key Slot Width B	Tolerance	Key Slot Length T	Tolerance
18: $\phi 18$ ($\phi 0.7087$)	+0.027 0 (+0.0011 0)	6 (0.2362)	+0.052 0 (+0.0020 0)	20.8 (0.819)	+0.1 0 (+0.004 0)
F10: $\phi 15.875$ ($\phi 0.6250$)		4.763 (0.1875)		18.009 (0.709)	
F12: $\phi 19.05$ ($\phi 0.7500$)	+0.033 0 (+0.0013 0)	4.763 (0.1875)	+0.052 0 (+0.0020 0)	21.260 (0.837)	+0.254 0 (+0.010 0)
20: $\phi 20$ ($\phi 0.7874$)		6 (0.2362)		22.8 (0.898)	
22: $\phi 22$ ($\phi 0.8661$)		8 (0.3150)		24.8 (0.976)	
25: $\phi 25$ ($\phi 0.9843$)		8 (0.3150)		28.3 (1.114)	

Overview, Product Series

Constant Speed Induction Motors

Three-Phase Induction Motors

Single-Phase Induction Motors

Reversible Motors

Electromagnetic Brake Motors

Clutch & Brake Motors

Low-Speed Synchronous Motors

Torque Motors

Watertight, Dust-Resistant Motors

Right-Angle Gearheads

Linear Heads

Brake Pack

Accessories

Installation

Capacitor Mounting Bracket

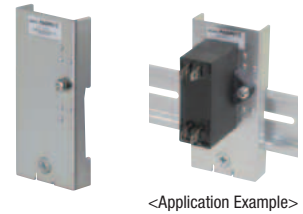
This is a DIN rail mounting bracket that is compatible with all Oriental Motor UL-recognized capacitors.

- The anti-spin mechanism of the capacitor is dimpled
- No horizontal slip even without an end plate

Product Line

Material: SPCC Surface treatment: Trivalent chromate

Product Name	List Price	Applicable Product
PADP01C	\$8.00	Can be used on all UL-recognized capacitors



<Application Example>

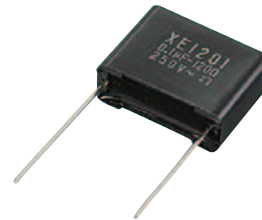
CR Circuit for Surge Suppression

This product is used to protect the contacts of the relay or switch used in the forward/reverse circuit section or the instantaneous stop circuit section of a motor.

Product Line

Product Name	List Price
EPCR1201-2	\$5.00

250 VAC (120 Ω, 0.1 μF)



For details (specifications, characteristics, dimensions and others) on these products please refer to either to our website, contact technical support or your nearest Oriental Motor sales office.

www.orientalmotor.com/catalog