

Orientalmotor

CRK Plus Series

Suggested RS485 Converter

* The following RS485 converters are suggested for customer's convenience. However, Oriental Motor is not responsible for the products.

1) USB to RS485 Converter

USCONVERTS.COM

Part Number: *MWE820A*



For Purchasing Information, visit

www.usconverters.com

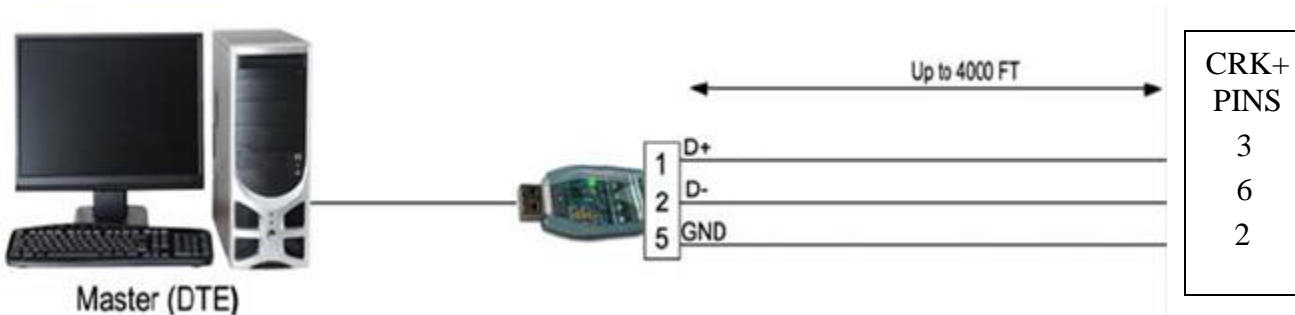
For Technical Information, visit

<http://www.usconverters.com/downloads/mwe820a/mwe820a.pdf>

Recommended Driver Download Link:

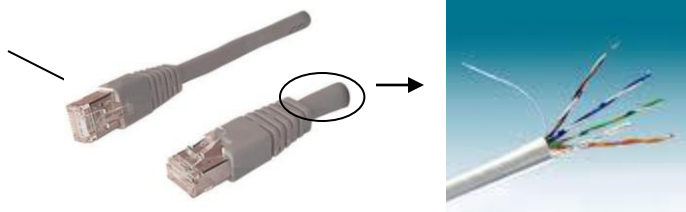
http://www.usconverters.com/index.php?main_page=page&id=15&chapter=0

Below is a connection example using the USB device with the CRK Plus.



Technical Reference:

RJ 45 connector is required for CN6 and CN7 of CRK+ driver



		568A Cable End							
		Pin 1	Pin 2	Pin 3	Pin 4	Pin 5	Pin 6	Pin 7	Pin 8
Wire Color		white/green	green	white/orange	blue	white/blue	orange	white/brown	brown
CRK + driver			GND	TR+			TR-		

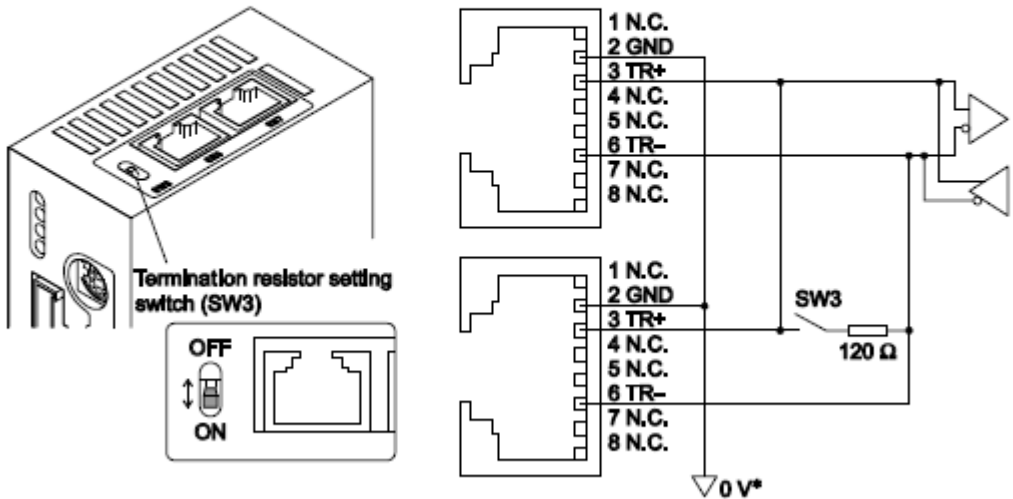
		568B Cable End							
		Pin 1	Pin 2	Pin 3	Pin 4	Pin 5	Pin 6	Pin 7	Pin 8
Wire Color		white/orange	orange	white/green	blue	white/blue	green	white/brown	brown
CRK + driver			GND	TR+			TR-		

■ Termination resistor

Use a termination resistor for the driver located farthest away (positioned at the end) from the programmable controller (master device).

Turn the termination resistor setting switch (SW3) ON and set the termination resistor for RS-485 communication (120 Ω).

Factory setting OFF (termination resistor disabled)



* The GND line is used in common with CN1 (not insulated).