

REVERSIBLE MOTORS

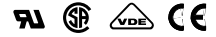
Single-Phase

4W (1/186 HP)

Frame Size 2.36 in.sq. (60mm sq.)



■ Specifications — 30 Minutes Rating



Model		Output Power		Voltage	Frequency	Current	Starting Torque		Rated Torque		Rated Speed	Capacitor
Pinion Shaft Type	Round Shaft Type	HP	W	V AC	Hz	A	oz-in	mN·m	oz-in	mN·m	r/min	μF
2RJ4GB-AUL	2RJ4A-AULA	1/186	4	115	60	0.17	3.5	25	3.7	27	1450	1.8

- Values shown for starting torque and rated torque are measured for operation without the brake applied.
- These products are impedance protected.

■ Gearmotor — Torque Table

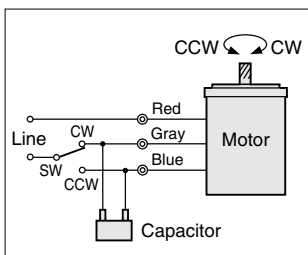
The permissible torque with decimal gearhead with a gear ratio of 10:1 is 13 lb-in (1.5N·m).

Unit = Upper values: lb-in / Lower values: N·m

Model	Speed r/min	600	500	360	300	240	200	144	120	100	72	60	50	36	30	24	20	18	15	12	10	7.2	6	5
	Gear Ratio	3	3.6	5	6	7.5	9	12.5	15	18	25	30	36	50	60	75	90	100	120	150	180	250	300	360
2RJ4GB-AUL / 2GB□KA		0.56	0.67	0.94	1.1	1.4	1.7	2.3	2.8	3.4	4.2	5.1	6.1	7.6	9.2	11	13	13	13	13	13	13	13	13
		0.066	0.079	0.11	0.13	0.16	0.20	0.27	0.33	0.39	0.49	0.59	0.71	0.89	1.1	1.3	1.5	1.5	1.5	1.5	1.5	1.5	1.5	1.5

- Gearheads are sold separately.
- Enter the gear ratio in the box (□) within the model number. A colored background indicates gear shaft rotation in the same direction as the motor shaft; a white background indicates rotation in the opposite direction.
- The speed is calculated by dividing the motor's synchronous speed (60 Hz: 1800 r/min) by the gear ratio. The actual speed is 2 ~ 20% less than the displayed value, depending on the size of the load.

■ Wiring Diagram



To rotate the motor in a clockwise (CW) direction, flip switch SW to CW.
To rotate it in a counterclockwise (CCW) direction, flip switch SW to CCW.

The direction of motor rotation is as viewed from the shaft end of the motor.

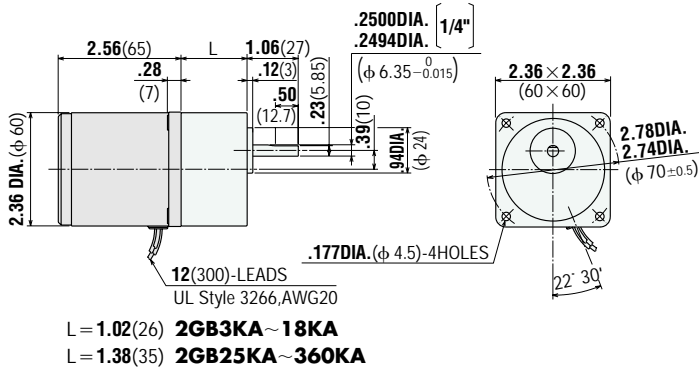
■ Dimensions Scale 1/4, Unit = inch (mm)

2RJ4GB-AUL

Weight (Mass): 1.3 lb.(0.6 kg)

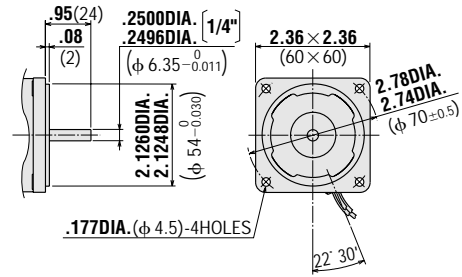
/ 2GB□KA

Weight (Mass): 0.66 lb.(0.3 kg)



2RJ4A-AULA Round Shaft Type

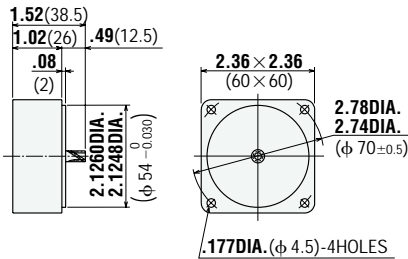
Weight (Mass): 1.3 lb.(0.6 kg)



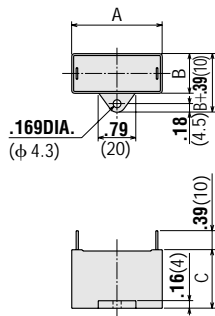
● Decimal Gearhead

2GB10XK

Weight (Mass): 0.44 lb.(0.2 kg)



● Capacitor (included with the motor)



Motor Model	Capacitor Model	Dimensions inch (mm)			Weight (Mass) oz (g)
		A	B	C	
2RJ4GB-AUL	CH18BUL	1.46	0.67	1.06	0.7 (20)
2RJ4A-AULA		(37)	(18)	(27)	

If you need to order a capacitor without a motor, add "-C" to the capacitor model number shown. A capacitor cap is always included with a capacitor.

■ Accessories

● Motor Mounting Brackets

Optional die-cast aluminum mounting brackets are available. They can be used to install motors without gearheads. See page [A-266] for the dimensions.

Model name **SOL2U8**



● Flexible Couplings

Optional clamping couplings are available. See page[A-260] for the dimensions.

