

# REVERSIBLE MOTORS

## Single-Phase

# 6W (1/124 HP)

Frame Size 2.36 in.sq. (60mm sq.)



### Specifications — 30 Minutes Rating



Model		Output Power		Voltage	Frequency	Current	Starting Torque		Rated Torque		Rated Speed	Capacitor
Upper Model Name: Pinion Shaft Type	Lower Model Name(): Round Shaft Type	HP	W	V AC	Hz	A	oz-in	mN·m	oz-in	mN·m	r/min	μF
Lead Wire Type Dimension ①	Terminal Box Type Dimension ②											
2RK6GN-AWU (2RK6A-AWU)	2RK6GN-AWTU (2RK6A-AWTU)			110	60	0.25	6.2	45	5.7	41	1450	3.5
				115	60	0.26						
		1/124	6	220	60	0.11	6.2	45	5.7	41	1450	0.8
				230	50	0.12	6.9	50	6.8	49	1200	
		230	60	0.12	6.2	45	5.7	41	1450			
2RK6GN-AUL (2RK6A-AULA)	—			115	60	0.19	5.1	37	5.6	40	1500	2.3

- Values shown for starting torque and rated torque are measured for operation without the brake applied.
- These products are impedance protected.
- The "U" and "E" at the end of the model name indicate that the unit includes a capacitor. These two letters are not listed on the motor nameplate. When the motor is approved under various safety standards, the nameplate is adopted.
- The terminal box type of the motors are not VDE approved.

### Gearmotor — Torque Table

The permissible torque with a decimal gearhead with a gear ratio of 10:1 is 26 lb-in (3N·m).

#### Single-Phase 115V/230V 60Hz

Unit = Upper values: lb-in / Lower values: N·m

Model	Speed r/min	600	500	360	300	240	200	144	120	100	72	60	50	36	30	24	20	18	15	12	10
	Gear Ratio	3	3.6	5	6	7.5	9	12.5	15	18	25	30	36	50	60	75	90	100	120	150	180
2RK6GN-AW(T)U / 2GN□KA 2RK6GN-CW(T)E / 2GN□KA	0.87	1.0	1.4	1.7	2.2	2.6	3.6	4.3	5.2	6.5	7.8	9.4	12	14	18	21	24	26	26	26	
	0.10	0.12	0.17	0.20	0.25	0.30	0.42	0.50	0.60	0.75	0.90	1.1	1.4	1.6	2.0	2.4	2.7	3	3	3	
2RK6GN-AUL / 2GN□KA	0.85	1.0	1.4	1.7	2.1	2.6	3.5	4.3	5.1	6.4	7.7	9.2	12	14	17	21	23	26	26	26	
	0.097	0.12	0.16	0.19	0.24	0.29	0.41	0.49	0.58	0.73	0.88	1.1	1.3	1.6	2.0	2.4	2.6	3	3	3	

#### Single-Phase 230V 50Hz

Unit = Upper values: lb-in / Lower values: N·m

Model	Speed r/min	500	416	300	250	200	166	120	100	83	60	50	41	30	25	20	16	15	12.5	10	8.3
	Gear Ratio	3	3.6	5	6	7.5	9	12.5	15	18	25	30	36	50	60	75	90	100	120	150	180
2RK6GN-CW(T)E / 2GN□KA	1.0	1.2	1.7	2.1	2.6	3.1	4.3	5.2	6.2	7.8	9.3	11	14	17	21	25	26	26	26	26	
	0.12	0.14	0.20	0.24	0.30	0.36	0.50	0.60	0.71	0.89	1.1	1.3	1.6	1.9	2.4	2.9	3	3	3	3	

- Gearheads are sold separately.
- Enter the gear ratio in the box (□) within the model number. A colored background indicates gear shaft rotation in the same direction as the motor shaft; a white background indicates rotation in the opposite direction.
- The speed is calculated by dividing the motor's synchronous speed (50Hz: 1500 r/min, 60Hz: 1800 r/min) by the gear ratio. The actual speed is 2 ~ 20% less than the displayed value, depending on the size of the load.

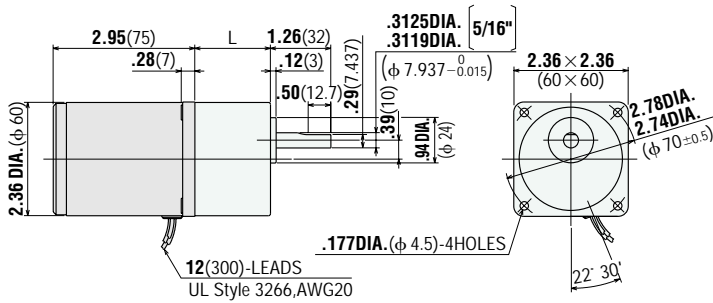
## ■ Dimensions Scale 1/4, Unit = inch (mm)

**2RK6GN-AWU**  
**2RK6GN-CWE**  
**2RK6GN-AUL**

Weight (Mass): 1.5 lb.(0.7 kg)

**2GN□KA**

Weight (Mass): 0.88 lb.(0.4 kg)

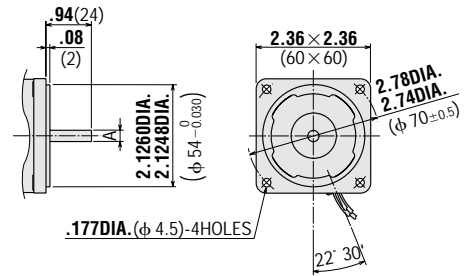


L = 1.18(30) **2GN3KA~18KA**  
 L = 1.57(40) **2GN25KA~180KA**

**2RK6A-AWU**  
**2RK6A-CWE**

**2RK6A-AULA** Round Shaft Type

Weight (Mass): 1.5 lb.(0.7 kg)



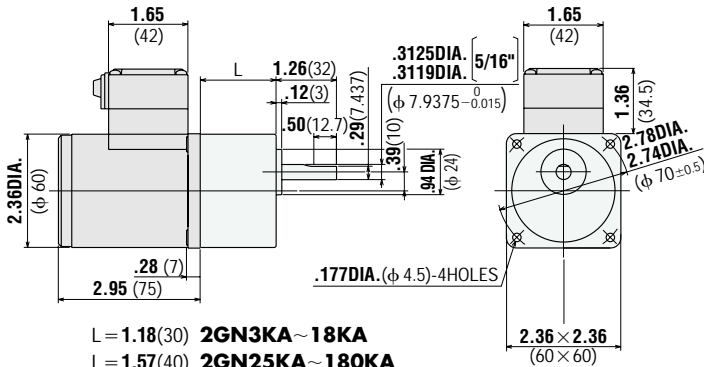
Model	Shaft Diameter A
<b>2RK6A-AWU</b>	.2362DIA. (φ 6 <sup>0</sup> <sub>-0.012</sub> )
<b>2RK6A-CWE</b>	.2357DIA. (φ 6 <sup>0</sup> <sub>-0.012</sub> )
<b>2RK6A-AULA</b>	.2500DIA. [1/4"] (φ 6.35 <sup>0</sup> <sub>-0.010</sub> ) .2496DIA.

**2RK6GN-AWTU**  
**2RK6GN-CWTE**

Weight (Mass): 1.65 lb.(0.75 kg)

**2GN□KA**

Weight (Mass): 0.88 lb.(0.4 kg)



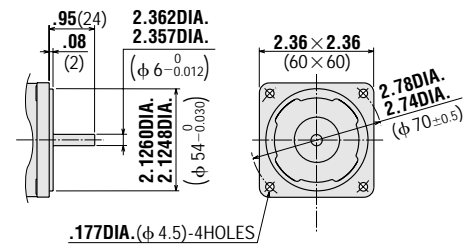
L = 1.18(30) **2GN3KA~18KA**  
 L = 1.57(40) **2GN25KA~180KA**

Use cabtyre cable with the diameter of .27DIA.(φ 6.8)~.34DIA.(φ 8.6).

**2RK6A-AWTU**  
**2RK6A-CWTE**

Round Shaft Type

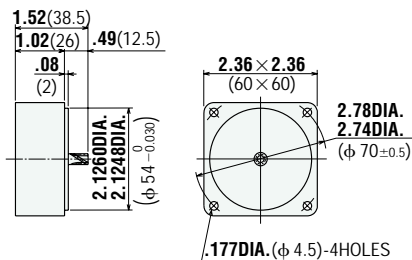
Weight (Mass): 1.65 lb.(0.75 kg)



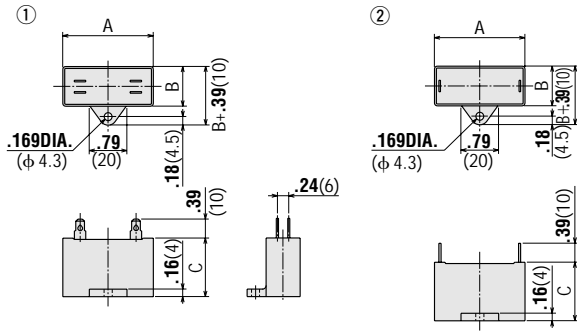
## ● Decimal Gearhead

**2GN10XK**

Weight (Mass): 0.44 lb.(0.2 kg)



● **Capacitor** (included with the motor)



Motor Model	Capacitor Model	Dimensions inch (mm)			Weight (Mass) oz (g)	Dimension No.
		A	B	C		
<b>2RK6GN-AW(T)U</b>	CH35FAUL	1.22	0.67	1.06	0.9 (25)	①
<b>2RK6A-AW(T)U</b>		(31)	(17)	(27)		
<b>2RK6GN-CW(T)E</b>	CH08BFAUL	1.22	0.67	1.06	0.9 (25)	①
<b>2RK6A-CW(T)E</b>		(31)	(17)	(27)		
<b>2RK6GN-AUL</b>	CH23UL	1.22	0.57	0.93	0.5 (15)	②
<b>2RK6A-AULA</b>		(31)	(14.5)	(23.5)		

If you need to order a capacitor without a motor, add "-C" to the capacitor model number shown. A capacitor cap is always included with a capacitor.

■ **Wiring Diagrams** The direction of motor rotation is as viewed from the shaft end of the motor.

Lead Wire Type		Terminal Box Type
<b>2RK6GN-AWU</b> <b>2RK6GN-CWU</b>	<b>2RK6GN-AUL</b>	<b>2RK6GN-AWTU</b> <b>2RK6GN-CWTE</b>

To rotate the motor in a clockwise (CW) direction, flip switch SW to CW.  
To rotate it in a counterclockwise (CCW) direction, flip switch SW to CCW.

■ **Accessories**

● **Motor Mounting Brackets**

Optional die-cast aluminum mounting brackets are available. They can be used to install motors without gearheads. See page [A-266] for the dimensions.  
Model name **SOL2U08**



● **Flexible Couplings**

Optional clamping couplings are available. See page[A-260] for the dimensions.

