



REVERSIBLE MOTORS

Single-Phase

15w (1/50 HP)

Frame Size 2.76 in.sq. (70mm sq.)



Specifications — 30 Minutes Rating



Model		Output Power		Voltage	Frequency	Current	Starting Torque		Rated Torque		Rated Speed	Capacitor
Pinion Shaft Type	Round Shaft Type	HP	W	V AC	Hz	A	oz-in	mN·m	oz-in	mN·m	r/min	μF
3RK15GN-AWU	3RK15A-AWU	1/50	15	110	60	0.42	13.9	100	14.6	105	1450	6
				115	60	0.41	13.9	100	14.6	105	1450	
220	60			0.21	13.9	100	14.6	105	1450	1.5		
230	50			0.20	13.9	100	17.4	125	1200			
230	60	0.21	13.9	100	14.6	105	1450					
3RK15GN-AUL	3RK15A-AULA			115	60	0.36	10.4	75	13.9	100	1500	4.5

- Values shown for starting torque and rated torque are measured for operation without the brake applied.
- These products contain a built-in thermal protector. If a motor overheats for any reason, the thermal protector is opened and the motor stops. When the motor temperature drops, the thermal protector closes and the motor restarts. Be sure to turn the motor off before inspecting.
- The "U" and "E" at the end of the model name indicate that the unit includes a capacitor. These two letters are not listed on the motor nameplate. When the motor is approved under various safety standards, the nameplate is adopted.

Gearmotor—Torque Table

The permissible torque with decimal gearhead with a gear ratio of 10 is 43lb-in (5N·m).

Single-Phase 115V/230V 60Hz

Unit: lb-in / N·m Upper values: lb-in / Lower values: N·m

Model	Speed r/min	600	500	360	300	240	200	144	120	100	72	60	50	36	30	24	20	18	15	12	10
	Gear Ratio	3	3.6	5	6	7.5	9	12.5	15	18	25	30	36	50	60	75	90	100	120	150	180
3RK15GN-AWU / 3GN□KA	2.2	2.7	3.7	4.4	5.5	6.7	9.2	11	13	17	20	24	30	36	43	43	43	43	43	43	43
	0.26	0.31	0.43	0.51	0.64	0.77	1.1	1.3	1.5	1.9	2.3	2.8	3.5	4.2	5	5	5	5	5	5	5
3RK15GN-AUL / 3GN□KA	2.1	2.5	3.5	4.2	5.3	6.3	8.8	11	13	16	19	23	29	34	43	43	43	43	43	43	43
	0.24	0.29	0.41	0.49	0.61	0.73	1.0	1.2	1.5	1.8	2.2	2.6	3.3	4.0	5	5	5	5	5	5	5

Single-Phase 230V 50Hz

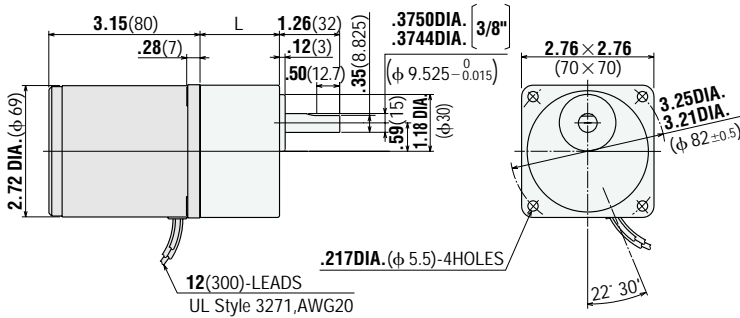
Unit: lb-in / N·m Upper values: lb-in / Lower values: N·m

Model	Speed r/min	500	416	300	250	200	166	120	100	83	60	50	41	30	25	20	16	15	12.5	10	8.3
	Gear Ratio	3	3.6	5	6	7.5	9	12.5	15	18	25	30	36	50	60	75	90	100	120	150	180
3RK15GN-CWE / 3GN□KA	2.6	3.2	4.4	5.3	6.6	7.9	11	13	16	20	24	29	36	43	43	43	43	43	43	43	43
	0.30	0.36	0.51	0.61	0.76	0.91	1.3	1.5	1.8	2.3	2.7	3.3	4.1	5	5	5	5	5	5	5	5

- Gearheads are sold separately.
- Enter the gear ratio in the box (□) within the model number. A colored background indicates gear shaft rotation in the same direction as the motor shaft; a white background indicates rotation in the opposite direction.
- The speed is calculated by dividing the motor's synchronous speed (50 Hz: 1500 r/min, 60 Hz: 1800 r/min) by the gear ratio. The actual speed is 2 ~ 20% less than the displayed value, depending on the size of the load.

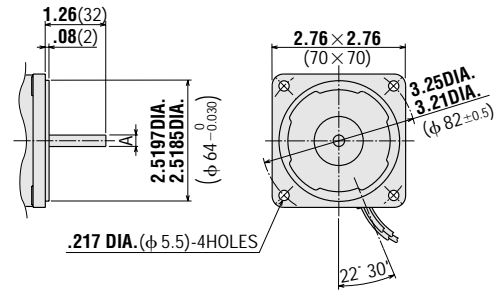
■ Dimensions Scale 1/4, Unit = inch (mm)

3RK15GN-AWU / **3GN□KA**
3RK15GN-CWE
3RK15GN-AUL
 Weight (Mass): 2.4 lb.(1.1 kg)



L = 1.26 (32) **3GN3KA~18KA**
 L = 1.65 (42) **3GN25KA~180KA**

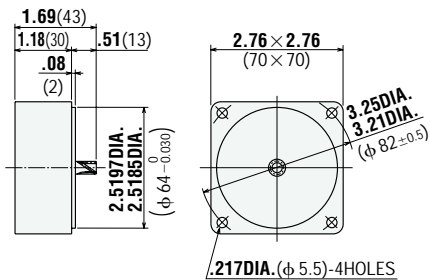
3RK15A-AWU Round Shaft Type
3RK15A-CWE
3RK15A-AULA
 Weight (Mass): 2.4 lb.(1.1 kg)



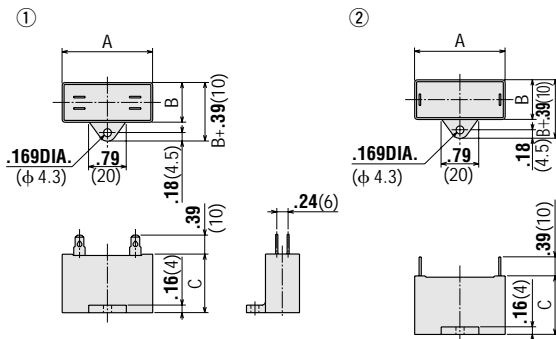
Model	Shaft Diameter A
3RK15A-AWU	.2362DIA. (φ 6 ⁰ _{.012})
3RK15A-CWE	.2357DIA.
3RK15A-AULA	.2500DIA. [3/8"] (φ 6.35 ⁰ _{.010})
	.2496DIA.

● Decimal Gearhead

3GN10XK Weight (Mass): 0.66 lb.(0.3 kg)



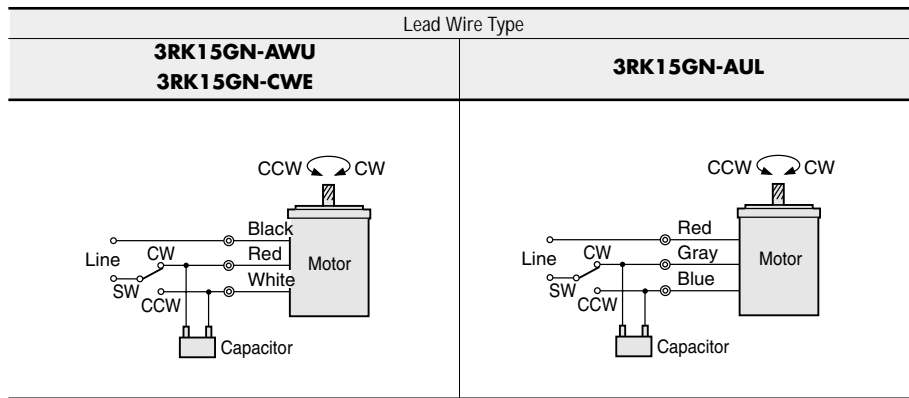
● Capacitor (included with the motor)



Motor Model	Capacitor Model	Dimensions inch (mm)			Weight (Mass) oz (g)	Dimension No.
		A	B	C		
3RK15GN-AWU	CH60CFAUL	1.50 (38)	0.83 (21)	1.22 (31)	1.4 (40)	①
3RK15A-AWU						
3RK15GN-CWE	CH15BFAUL	1.50 (38)	0.83 (21)	1.22 (31)	1.2 (35)	①
3RK15A-CWE						
3RK15GN-AUL	CH45UL	1.46 (37)	0.71 (18)	1.06 (27)	1.1 (30)	②
3RK15A-AULA						

If you need to order a capacitor without a motor, add "-C" to the capacitor model number shown. A capacitor cap is always included with a capacitor.

■ **Wiring Diagrams** The direction of motor rotation is as viewed from the shaft end of the motor.



To rotate the motor in a clockwise(CW)direction, flip switch SW to CW.
To rotate it in a counterclockwise(CCW)direction, flip switch SW to CCW.

■ **Accessories**

● **Motor Mounting Brackets**

Optional die-cast aluminum mounting brackets are available. They can be used to install motors without gearheads. See page [A-266] for the dimensions.

Model name **SOL3U10**



● **Flexible Couplings**

Optional clamping couplings are available. See page[A-260] for the dimensions.

