



REVERSIBLE MOTORS

Single-Phase

40w (1/18.5 HP)

Frame Size 3.54 in.sq. (90mm sq.)



Specifications — 30 Minutes Rating



Model Upper Model Name:Pinion Shaft Type Lower Model Name():Round Shaft Type		Output Power	Voltage	Frequency	Current	Starting Torque	Rated Torque	Rated Speed	Capacitor			
Lead Wire Type Dimension ①	Terminal Box Type Dimension ②	HP	W	V AC	Hz	A	oz-in	mN·m	oz-in	mN·m	r/min	μF
5RK40GN-AWU (5RK40A-AWU)	5RK40GN-AWTU (5RK40A-AWTU)	1/18.5	40	110	60	0.81	36.1	260	37.5	270	1450	12
				115	60	0.46	36.1	260	36.1	260	1500	
5RK40GN-CWE (5RK40A-CWE)	5RK40GN-CWTE (5RK40A-CWTE)	1/18.5	40	220	60	0.46	36.1	260	36.1	260	1500	
				230	50	0.40	37.5	270	43.7	315	1250	3.5
				230	60	0.46	36.1	260	36.1	260	1500	
5RK40GN-AUL (5RK40A-AULA)	—			115	60	0.87	36.1	260	36.1	260	1550	12

- Values shown for starting torque and rated torque are measured for operation without the brake applied.
- The product contains a built-in thermal protector. When a motor overheats for any reason, the thermal protector is opened and the motor stops. When the motor temperature drops, the thermal protector closes and the motor restarts. Be sure to turn the motor off before inspecting.
- The "U" and "E" at the end of the model name indicate that the unit includes a capacitor. These two letters are not listed on the motor nameplate. When the motor is approved under various safety standards, the nameplate is adopted.

Gearmotor — Torque Table

The permissible torque with decimal gearhead with a gear ratio of 10:1 is 87 lb-in (10N·m).

• Right-Angle gearhead may be connected. See page [A-216] for more information.

Single-Phase 115V/230V 60Hz

Unit=Upper values: lb-in/Lower values: N·m

Model	Speed r/min	Gear Ratio																			
		3	3.6	5	6	7.5	9	12.5	15	18	25	30	36	50	60	75	90	100	120	150	180
5RK40GN-AWU 5RK40GN-AWTU / 5GN□KA	600	5.7	6.8	9.5	11	14	17	24	28	34	43	51	62	77	87	87	87	87	87	87	87
	500	0.66	0.79	1.1	1.3	1.6	2.0	2.7	3.3	3.9	4.9	5.9	7.1	8.9	10	10	10	10	10	10	10
5RK40GN-CWE 5RK40GN-CWTE / 5GN□KA	600	5.5	6.6	9.1	11	14	16	23	27	33	41	49	59	74	87	87	87	87	87	87	87
	500	0.63	0.76	1.1	1.3	1.6	1.9	2.6	3.2	3.8	4.7	5.7	6.8	8.6	10	10	10	10	10	10	10
5RK40GN-AUL / 5GN□KA	600	5.5	6.6	9.1	11	14	16	23	27	33	41	49	59	74	87	87	87	87	87	87	87
	500	0.63	0.76	1.1	1.3	1.6	1.9	2.6	3.2	3.8	4.7	5.7	6.8	8.6	10	10	10	10	10	10	10

Single-Phase 230V 50Hz

Unit=Upper values: lb-in/Lower values: N·m

Model	Speed r/min	Gear Ratio																			
		3	3.6	5	6	7.5	9	12.5	15	18	25	30	36	50	60	75	90	100	120	150	180
5RK40GN-CWE 5RK40GN-CWTE / 5GN□KA	500	6.6	8.0	11	13	17	20	28	33	40	50	60	72	87	87	87	87	87	87	87	87
	416	0.77	0.92	1.3	1.5	1.9	2.3	3.2	3.8	4.6	5.7	6.9	8.3	10	10	10	10	10	10	10	10

- Gearheads are sold separately.
- Enter the gear ratio in the box (□) within the model number. A colored background indicates gear shaft rotation in the same direction as the motor shaft; a white background indicates rotation in the opposite direction.
- The speed is calculated by dividing the motor's synchronous speed (50 Hz: 1500 r/min, 60 Hz: 1800 r/min) by the gear ratio. The actual speed is 2 ~ 20% less than the displayed value, depending on the size of the load.

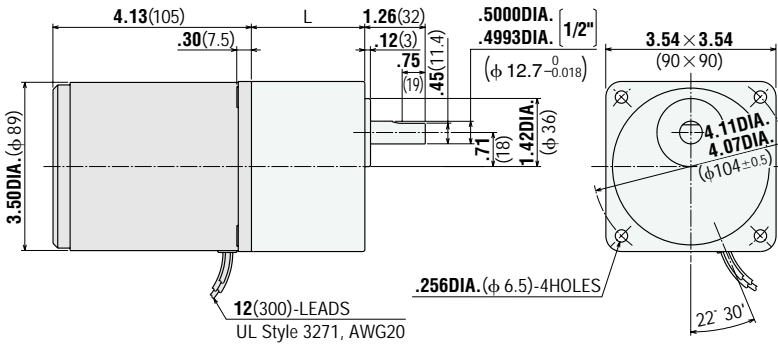
■ Dimensions Scale 1/4, Unit = inch (mm)

① 5RK40GN-AWU 5RK40GN-CWE 5RK40GN-AUL

Weight (Mass): 5.5 lb.(2.5 kg)

5GN□KA

Weight (Mass): 3.3 lb.(1.5 kg)



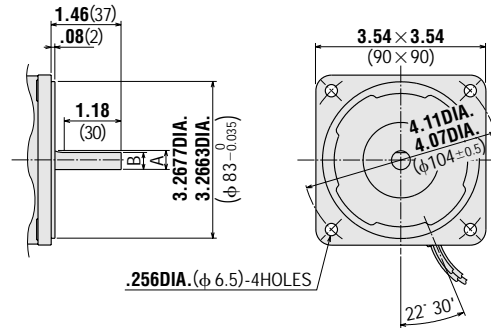
L = 1.65(42) 5GN3KA~18KA

L = 2.36(60) 5GN25KA~180KA

5RK40A-AWU 5RK40A-CWE

5RK40A-AULA Round Shaft Type

Weight (Mass): 5.5 lb.(2.5 kg)



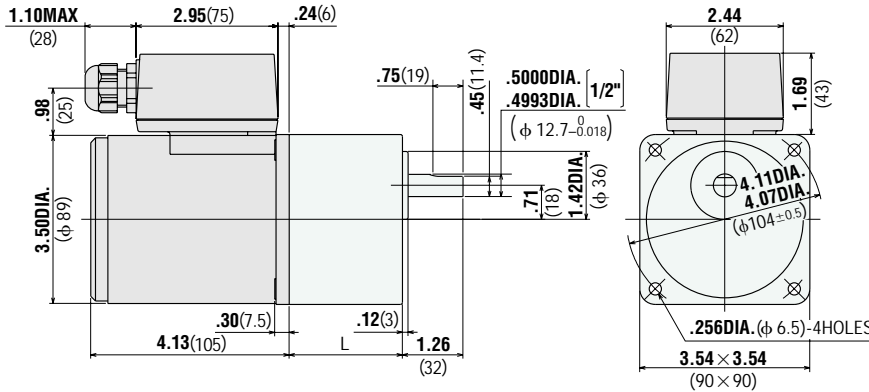
Model	A	B
5RK40A-AWU	.3937DIA. (φ 10 ⁰ _{-0.015})	.35(9)
5RK40A-CWE	.3931DIA.	
5RK40A-AULA	.3750DIA. [3/8"](φ 9.525 ⁰ _{-0.011})	.35(8.825)
	.3746DIA.	

② 5RK40GN-AWTU 5RK40GN-CWTE

Weight (Mass): 5.7 lb.(2.6 kg)

5GN□KA

Weight (Mass): 3.3 lb.(1.5 kg)



L = 1.65(42) 5GN3KA~18KA

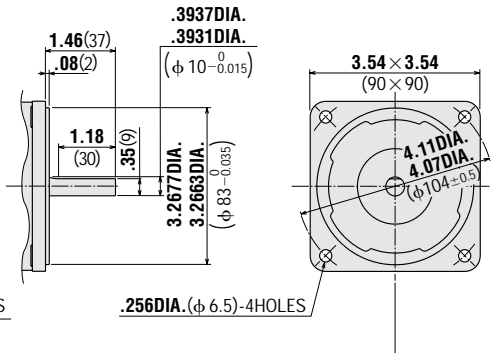
L = 2.36(60) 5GN25KA~180KA

Use cabtyre cable with the diameter of .24DIA. (φ 6) ~ .47DIA. (φ 12).

5RK40A-AWTU 5RK40A-CWTE

Round Shaft Type

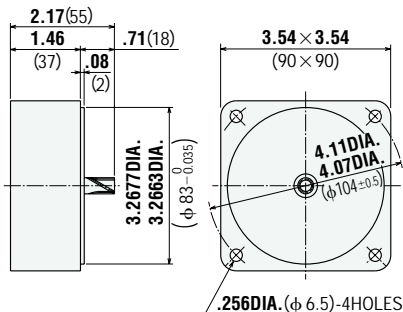
Weight (Mass): 5.7 lb.(2.6 kg)



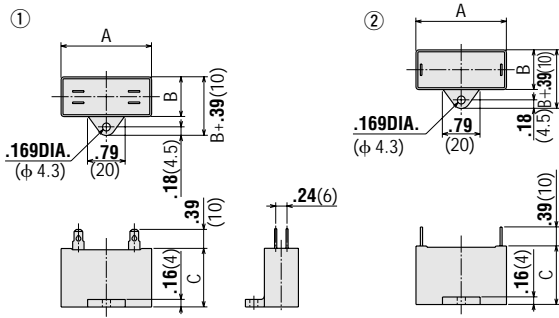
● Decimal Gearhead

5GN10XK

Weight (Mass): 1.32 lb.(0.6 kg)



● **Capacitor** (included with the motor)



Motor Model	Capacitor Model	Dimensions inch (mm)			Weight (Mass) oz (g)	Dimension No.
		A	B	C		
5RK40GN-AW(T)U	CH1 20CFAUL	2.28	0.83	1.22	1.76 (50)	①
5RK40A-AW(T)U		(58)	(21)	(31)		
5RK40GN-CW(T)E	CH35BFAUL	2.28	0.87	1.38	1.94 (55)	①
5RK40A-CW(T)E		(58)	(22)	(35)		
5RK40GN-AUL	CH1 20UL	1.89	0.83	1.22	1.55 (44)	②
5RK40A-AULA		(48)	(21)	(31)		

If you need to order a capacitor without a motor, add "-C" to the capacitor model number shown. A capacitor cap is always included with a capacitor.

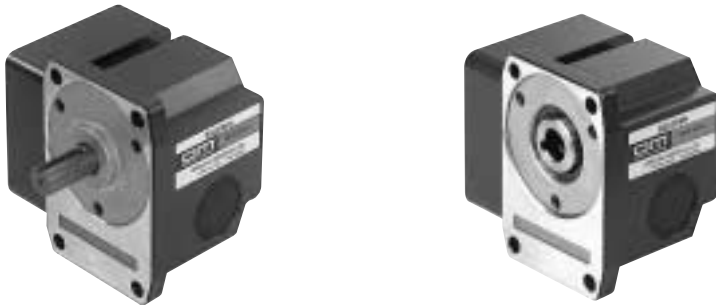
■ **Wiring Diagrams** The direction of motor rotation is as viewed from the shaft end of the motor.

Lead Wire Type	Terminal Box Type
5RK40GN-AWU 5RK40GN-CWE	5RK40GN-AWTU 5RK40GN-CWTE

To rotate the motor in a clockwise(CW)direction, flip switch SW to CW.
 To rotate it in a counterclockwise(CCW)direction, flip this switch to CCW.

■ **Right-Angle Gearheads**

The right-angle gearhead provides an output shaft that is at a right angle to the motor's output shaft.
 See page [A-216] for specifications and other information.



■ **Accessories**

● **Motor Mounting Brackets**

Optional die-cast aluminum mounting brackets are available. They can be used to install motors without gearheads. See page [A-266] for the dimensions.
 Model name **SOL5UA**



● **Flexible Couplings**

Optional clamping couplings are available. See page[A-260] for the dimensions.

