

REVERSIBLE MOTORS

Single-Phase

60W (1/12.5 HP)

Frame Size 3.54 in.sq. (90mm sq.)



Specifications — 30 Minutes Rating

Model		Output Power	Voltage	Frequency	Current	Starting Torque		Rated Torque		Rated Speed	Capacitor	
Upper Model Name: Pinion Shaft Type	Lower Model Name(): Round Shaft Type					oz-in	mN·m	oz-in	mN·m			
Lead Wire Type	Terminal Box Type	HP	W	V AC	Hz	A	oz-in	mN·m	oz-in	mN·m	r/min.	μF
Dimension ①	Dimension ②											
5RK60GU-AWU (5RK60A-AWU)	5RK60GU-AWTU (5RK60A-AWTU)			110	60	1.24	52.8	380	56.2	405	1450	20
				115								
5RK60GU-CWE (5RK60A-CWE)	5RK60GU-CWTE (5RK60A-CWTE)	1/12.5	60	220	60	0.67	52.8	380	56.2	405	1450	5
				230	50	0.61	65.3	470	68.0	490	1200	
				230	60	0.67	52.8	380	56.2	405	1450	
5RK60GU-AFUL	—			115	60	1.25	51.4	370	51.4	370	1600	20

- Values shown for starting torque and rated torque are measured for operation without the brake applied.
- The product contains a built-in thermal protector. When a motor overheats for any reason, the thermal protector is opened and the motor stops. When the motor temperature drops, the thermal protector closes and the motor restarts. Be sure to turn the motor off before inspecting.
- The "U" and "E" at the end of the model name indicate that the unit includes a capacitor. These two letters are not listed on the motor nameplate. When the motor is approved under various safety standards, the nameplate is adopted.

Gearmotor—Torque Table

The permissible torque with decimal gearhead with a gear ratio of 10:1 is 174 lb-in (20N·m).

• Right-Angle gearhead may be connected. See page [A-216] for more information.

Single-Phase 115V/230V 60Hz

Unit = Upper values: lb-in/Lower values: N·m

Model	Speed r/min	Gear Ratio																			
		3	3.6	5	6	7.5	9	12.5	15	18	25	30	36	50	60	75	90	100	120	150	180
5RK60GU-AWU 5RK60GU-AWTU 5RK60GU-CWE 5RK60GU-CWTE	5GU□KA	8.5	10	14	17	21	26	32	38	46	58	70	83	116	139	155	174	174	174	174	174
	5GU□KA	0.98	1.2	1.6	2	2.5	3.0	3.7	4.4	5.3	6.7	8.0	9.6	13	16	18	20	20	20	20	20
5RK60GU-AFUL	5GU□KA	7.8	9.4	13	16	20	23	29	35	42	53	64	76	106	127	142	171	174	174	174	174
	5GU□KA	0.9	1.1	1.5	1.8	2.2	2.7	3.4	4.1	4.9	6.1	7.3	8.8	12	15.0	16	20	20	20	20	20

Single-Phase 230V 50Hz

Unit = Upper values: lb-in/Lower values: N·m

Model	Speed r/min	Gear Ratio																			
		3	3.6	5	6	7.5	9	12.5	15	18	25	30	36	50	60	75	90	100	120	150	180
5RK60GU-CWE 5RK60GU-CWTE	5GU□KA	10	12	17	21	26	31	39	47	56	70	84	101	140	168	174	174	174	174	174	174
	5GU□KA	1.2	1.4	2	2.4	3	3.6	4.5	5.4	6.4	8.1	9.7	12	16	19	20	20	20	20	20	20

- Gearheads are sold separately.
- Enter the gear ratio in the box (□) within the model number. A colored background indicates gear shaft rotation in the same direction as the motor shaft; a white background indicates rotation in the opposite direction.
- The speed is calculated by dividing the motor's synchronous speed (50 Hz: 1500 r/min, 60 Hz: 1800 r/min) by the gear ratio. The actual speed is 2 ~ 20% less than the displayed value, depending on the size of the load.

■ Dimensions Scale 1/4, Unit = inch (mm)

① 5RK60GU-AWU

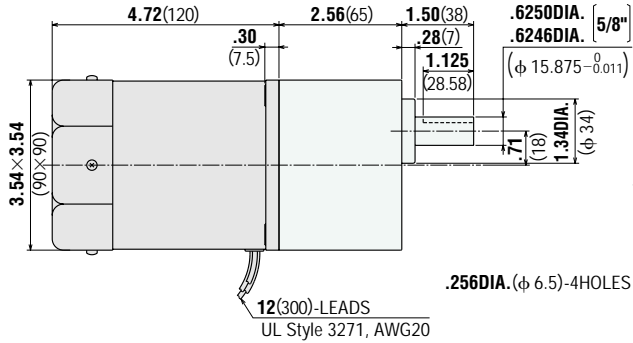
5RK60GU-CWE

5RK60GU-AFUL

Weight (Mass): 6.0 lb.(2.7 kg)

5GU□KA

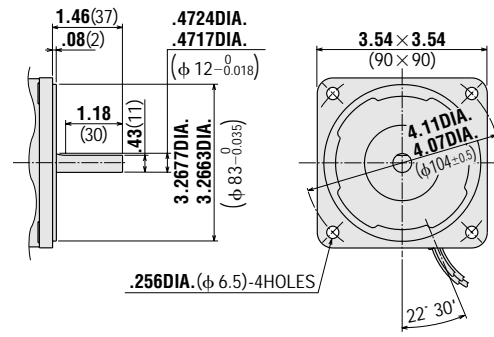
Weight (Mass): 3.3 lb.(1.5 kg)



5RK60A-AWU

5RK60A-CWE Round Shaft Type

Weight (Mass): 6.0 lb.(2.7 kg)



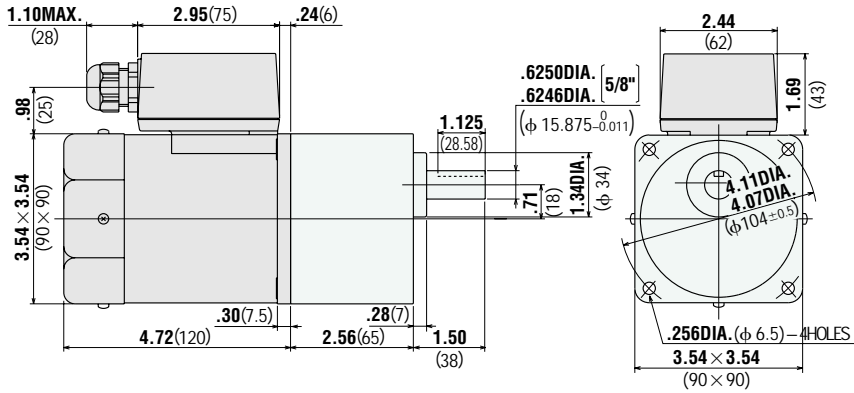
② 5RK60GU-AWTU

5RK60GU-CWTE

Weight (Mass): 6.2 lb.(2.8 kg)

5GU□KA

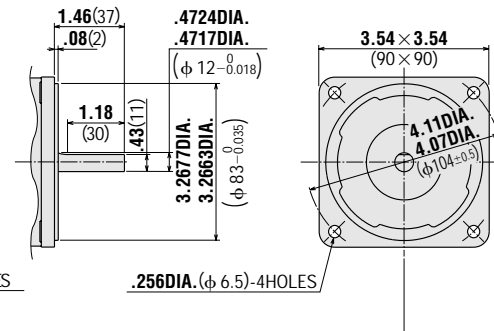
Weight (Mass): 3.3 lb.(1.5 kg)



5RK60A-AWTU

5RK60A-CWTE Round Shaft Type

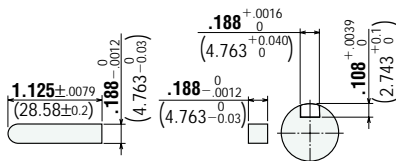
Weight (Mass): 6.2 lb.(2.8 kg)



Use cable with the diameter of .24DIA.(φ 6)~.47DIA.(φ 12).

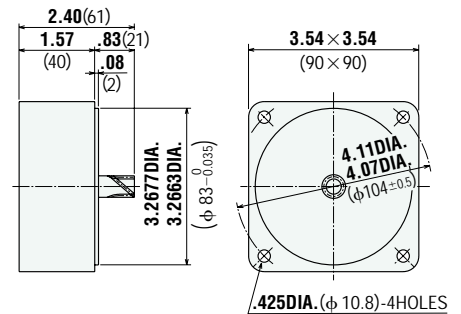
● Key and Key Slot Scale 1/2

(The key is provided with the gearhead)

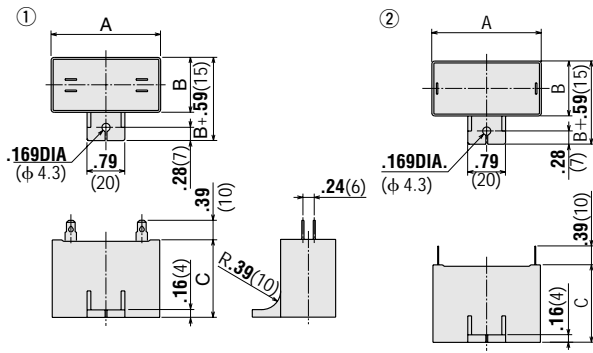


● Decimal Gearhead

5GU10XKB Weight (Mass): 1.32 lb.(0.6 kg)



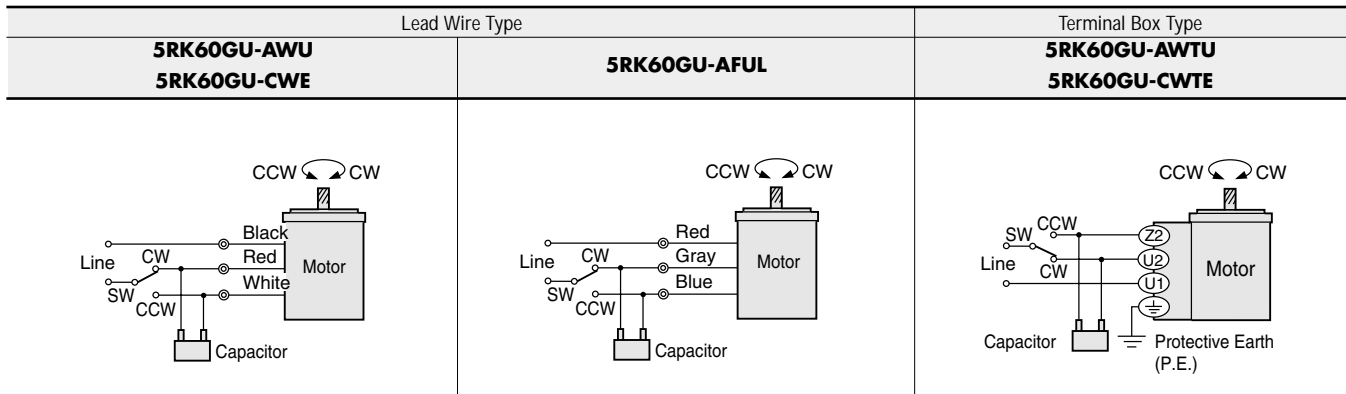
● **Capacitor** (included with the motor)



Motor Model	Capacitor Model	Dimensions inch (mm)			Weight (Mass) oz (g)	Dimension No.
		A	B	C		
5RK60GU-AW(T)U	CH200CFAUL	2.28	1.14	1.61	3.35 (95)	①
5RK60A-AW(T)U		(58)	(29)	(41)		
5RK60GU-CW(T)U	CH50BFAUL	2.28	1.14	1.61	3.00 (85)	①
5RK60A-CW(T)U		(58)	(29)	(41)		
5RK60GU-AFUL	CH200UL	2.28	0.91	1.46	2.68 (76)	②
		(58)	(23.5)	(37)		

If you need to order a capacitor without a motor, add "-C" to the capacitor model number shown. A capacitor cap is always included with a capacitor.

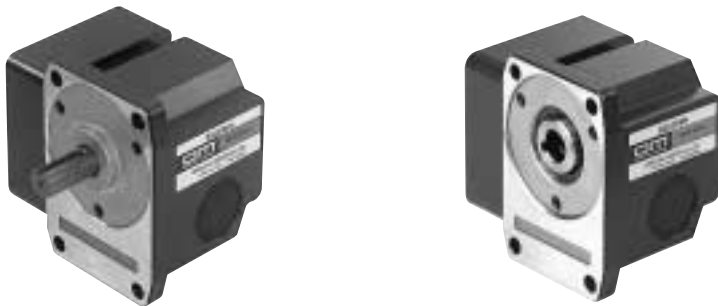
■ **Wiring Diagrams** The direction of motor rotation is as viewed from the shaft end of the motor.



To rotate the motor in a clockwise(CW)direction, flip switch SW to CW.
To rotate it in a counterclockwise(CCW)direction, flip switch SW to CCW.

■ **Right-Angle Gearheads**

The right-angle gearhead provides an output shaft that is at a right angle to the motor's output shaft. See page [A-216] for specifications and other information.



■ **Accessories**

● **Motor Mounting Brackets**

Optional die-cast aluminum mounting brackets are available. They can be used to install motors without gearheads. See page [A-266] for the dimensions.
Model name **SOLSUA**



● **Flexible Couplings**

Optional clamping couplings are available. See page[A-260] for the dimensions.

