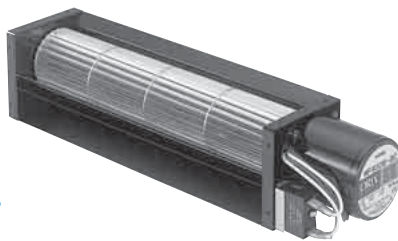


AC Cross Flow Fans MF Series

Impeller Length 300 mm (11.81 in.)



Ambient Temperature: $-10\sim+60^{\circ}\text{C}$ ($+14\sim+140^{\circ}\text{F}$)
 Operating Voltage Range: $\pm 10\%$
 Materials
 Motor Case: Die Cast Aluminum
 Casing: Steel
 Impeller: Aluminum
 Overheat Protection: Built-in Thermal Protector
 Bearings: Ball Bearings

Specifications RoHS



Model	Voltage VAC	Frequency Hz	Current A	Input W	Speed r/min	Max. Air Flow		Max. Static Pressure		Noise Level dB (A)
						m ³ /min	CFM	Pa	inHzO	
MF930-BC MF930B-BC	Single-Phase 100	50	0.40	35	2500	6.0	212	74	0.297	58
	Single-Phase 100	60	0.50	45	2700	6.2	219	103	0.413	60
	Single-Phase 110	60	0.50	48	2950	6.6	233	106	0.425	62
	Single-Phase 115	60	0.50	50	3000	6.8	240	106	0.425	63
MF930-DC MF930B-DC	Single-Phase 200	50	0.20	35	2500	6.0	212	74	0.297	58
	Single-Phase 200	60	0.25	45	2700	6.2	219	103	0.413	60
	Single-Phase 220	60	0.25	48	2950	6.6	233	106	0.425	62
	Single-Phase 230	50	0.20	40	2700	6.2	219	78	0.313	60
	Single-Phase 230	60	0.25	50	3000	6.8	240	106	0.425	63

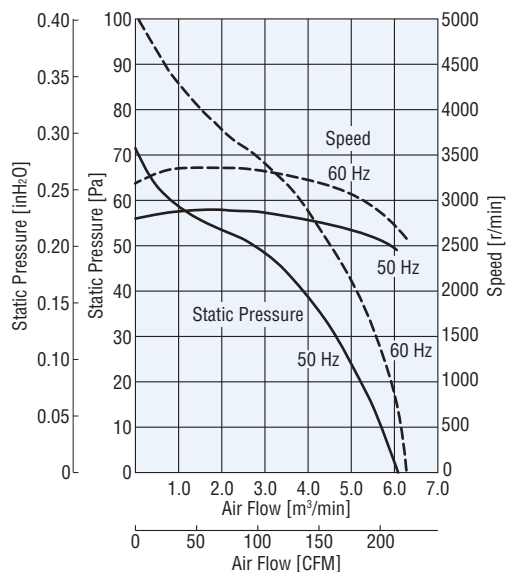
● How to read specifications → Page E-19 ● Details of safety standards → Page G-2 ● Details of RoHS Directive → Page G-38

The following items are included in each product.

Fan, Operating Manual

Air Flow – Static Pressure Characteristics

● How to read air flow – static pressure characteristics → Page E-20

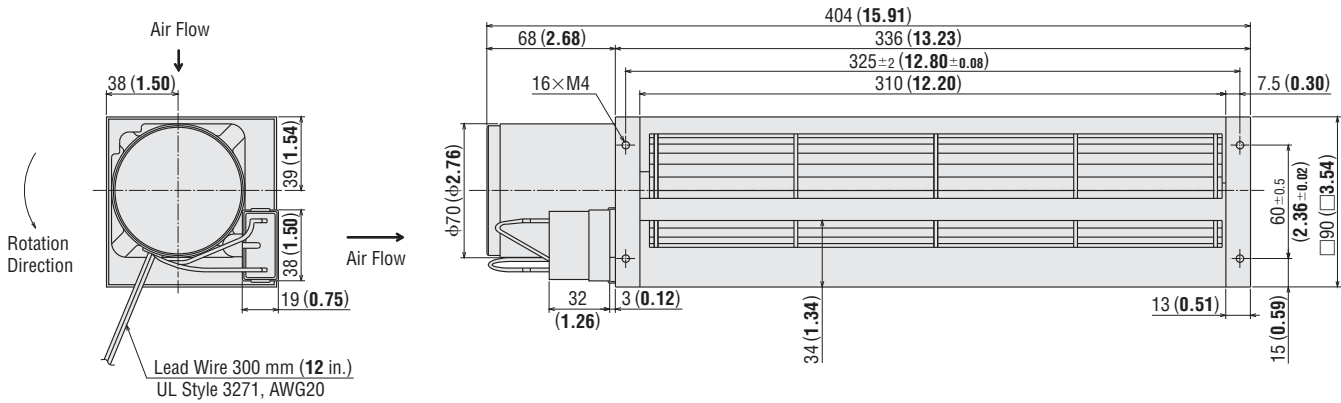


Dimensions Unit = mm (in.)

MF930-BC, MF930-DC

Mass: 1.9 kg (4.2 lb.)

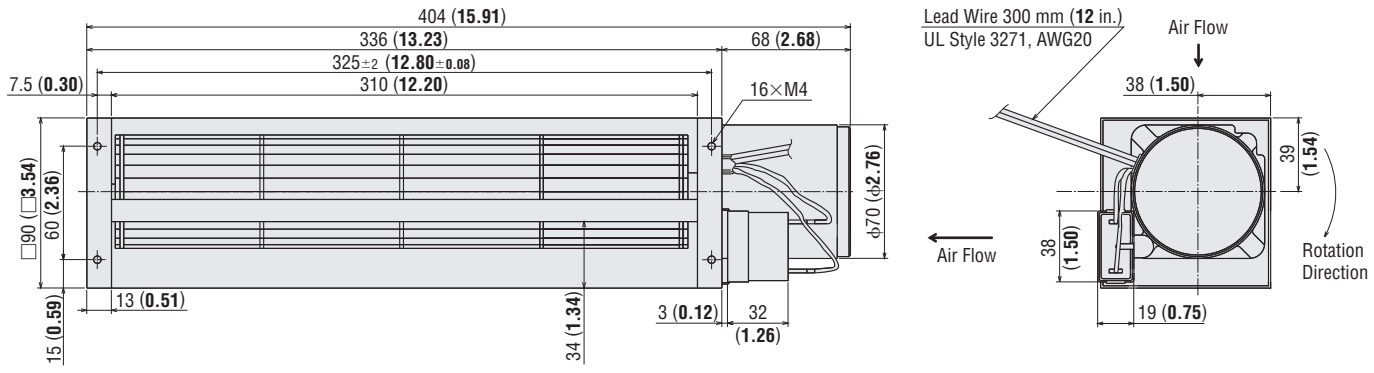
DXF E034



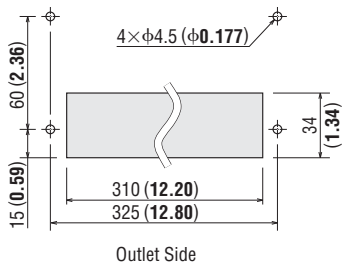
MF930B-BC, MF930B-DC

Mass: 1.9 kg (4.2 lb.)

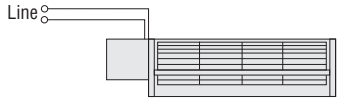
DXF E035



Panel Cut-Out Unit = mm (in.)



Connection Diagram



Accessories

The following product is RoHS-Compliant.

Details → Page E-137

Product	Model	Safety Standards	Page
Finger Guard	FG930D	Conformed component	E-145

Thermostats

A thermostat makes it possible for fans to operate only when cooling is necessary, thereby conserving energy.



RoHS

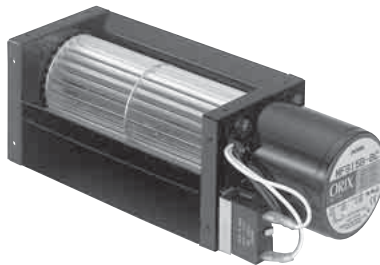
Thermostats **AM1-WA1/AM1-XA1**

Page → E-133

Introduction	FM	AC Input MRS	AC Input Variable Flow MRS	AC Input MU	DC Input Long-Life MDE	DC Input MDS/MD	AC Input MB	DC Input MBD	AC Input MF	DC Input MFD	Thermostats	Accessories	Installation
	Cooling Module			Axial Flow Fans			Centrifugal Blowers		Cross Flow Fans				

AC Cross Flow Fans MF Series

Impeller Length 150 mm (5.91 in.)



Ambient Temperature: $-10\sim+60^{\circ}\text{C}$ ($+14\sim+140^{\circ}\text{F}$)
 Operating Voltage Range: $\pm 10\%$
 Materials
 Motor Case: Die Cast Aluminum
 Casing: Steel
 Impeller: Aluminum
 Overheat Protection: Built-in Thermal Protector
 Bearings: Ball Bearings

Specifications RoHS



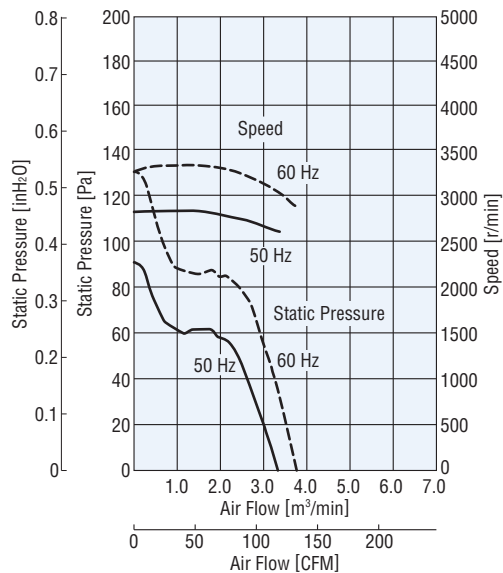
Model	Voltage VAC	Frequency Hz	Current A	Input W	Speed r/min	Max. Air Flow		Max. Static Pressure		Noise Level dB (A)
						m ³ /min	CFM	Pa	inHzO	
MF915-BC MF915B-BC	Single-Phase 100	50	0.35	30	2650	3.4	120	88	0.353	60
	Single-Phase 100	60	0.45	40	2950	3.7	131	127	0.509	63
	Single-Phase 110	60	0.45	42	3200	4.0	141	132	0.529	64
	Single-Phase 115	60	0.45	43	3250	4.1	145	132	0.529	64
MF915-DC MF915B-DC	Single-Phase 200	50	0.20	30	2650	3.4	120	88	0.353	60
	Single-Phase 200	60	0.25	40	2950	3.7	131	127	0.509	63
	Single-Phase 220	60	0.25	42	3200	4.0	141	132	0.529	64
	Single-Phase 230	50	0.20	33	2800	3.6	127	92	0.369	61
	Single-Phase 230	60	0.25	43	3250	4.1	145	132	0.529	64

● How to read specifications → Page E-19 ● Details of safety standards → Page G-2 ● Details of RoHS Directive → Page G-38

The following items are included in each product.
 Fan, Operating Manual

Air Flow – Static Pressure Characteristics

● How to read air flow – static pressure characteristics → Page E-20

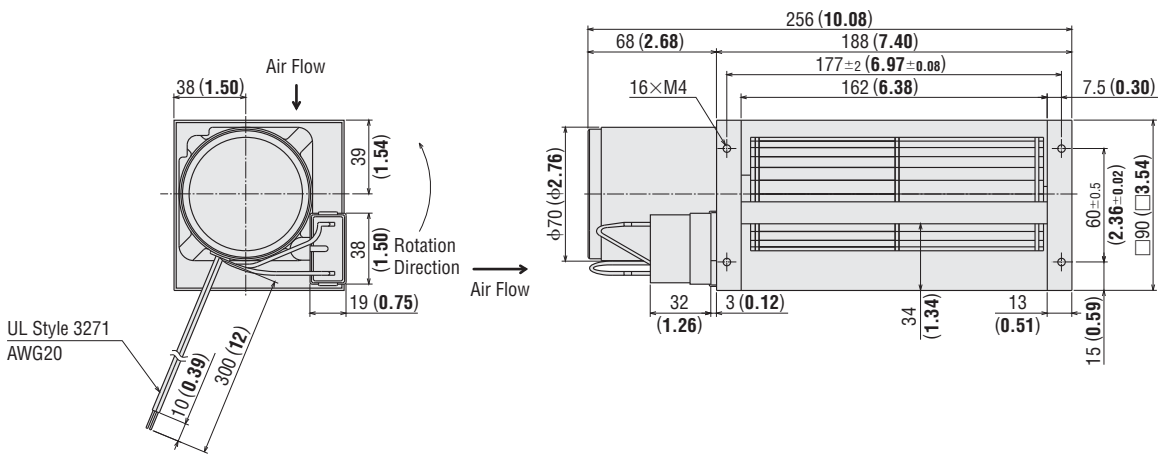


Dimensions Unit = mm (in.)

MF915-BC, MF915-DC

Mass: 1.7 kg (3.7 lb.)

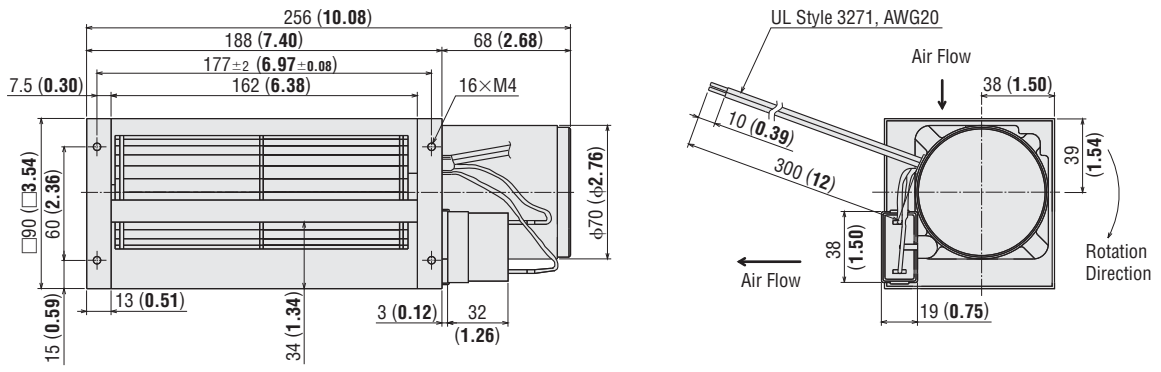
DXF E036



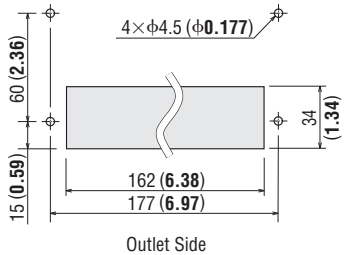
MF915B-BC, MF915B-DC

Mass: 1.7 kg (3.7 lb.)

DXF E037



Panel Cut-Out Unit = mm (in.)



Connection Diagram



Accessories

The following product is RoHS-Compliant.

Details → Page E-137

Product	Model	Safety Standards	Page
Finger Guard	FG915D	Conformed component	E-145

Thermostats

A thermostat makes it possible for fans to operate only when cooling is necessary, thereby conserving energy.



RoHS

Thermostats **AM1-WA1/AM1-XA1**

● Page → E-133

Introduction

Cooling Module

FM

AC Input MRS

AC Input Variable Flow MRS

AXIAL FLOW FANS

AC Input MU

DC Input Long-Life MDE

DC Input MDS/MD

Centrifugal Blowers

AC Input MB

DC Input MBD

Cross Flow Fans

AC Input MF

DC Input MFD

Thermostats

Accessories

Installation