

Linear & Rotary Actuators

Accessories

Overview,
Product
Series

Electric
Linear
Slides

***α*STEP AR
EAS**

Electric
Cylinders

***α*STEP AR
EAC**

DRLII

Hollow
Rotary
Actuators

***α*STEP AR
DGII**

Accessories

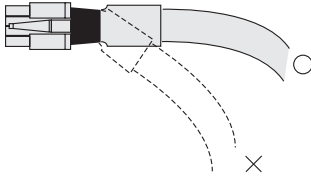
Accessories

Accessories

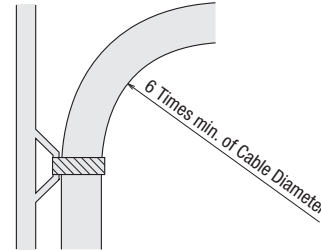
Cables

Notes on Use of Flexible Cable

① Do not allow the cable to bend at the cable connector.

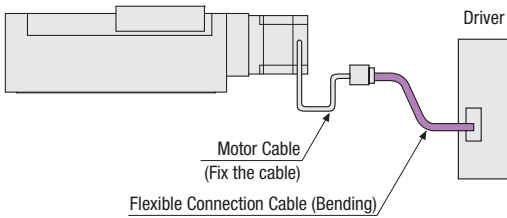


② For the bending radius, use at least 6 times the cable diameter.

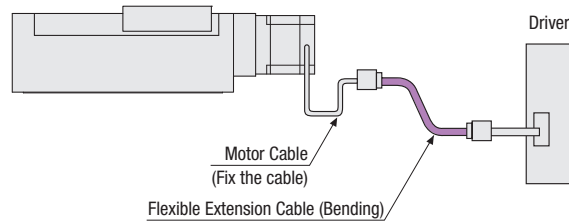


③ The cable from the electric actuator and the included cable are not for bending. If the motor cable is to be bent, bend it at the flexible cable.

Flexible Connection Cable



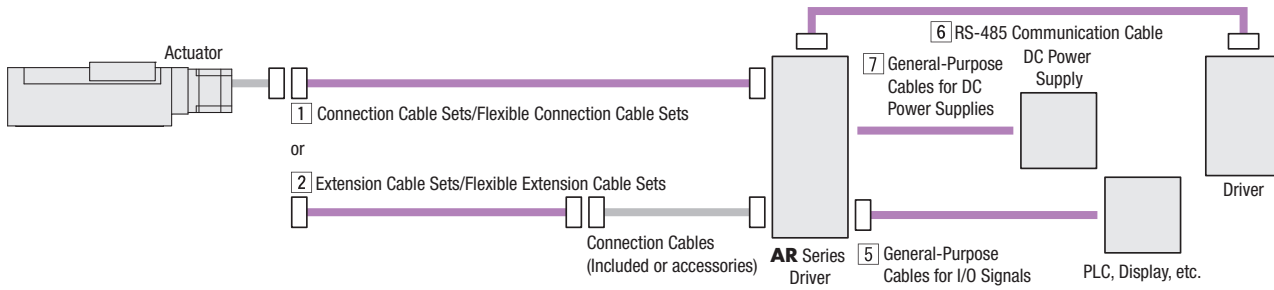
Flexible Extension Cable



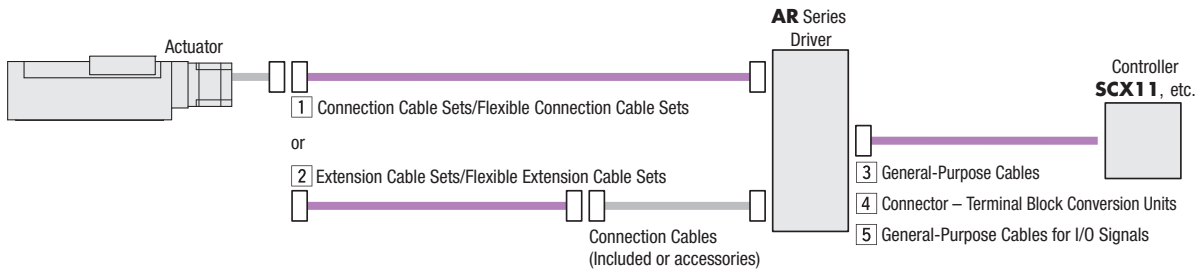
Cables for EAS, EAC, and DGII Series AC Input

Cable System Configuration

◇ Built-in Controller Type



◇ Pulse input Type



1 Connection Cable Set

Flexible Connection Cable Set

These connection cables are used between the actuator (motor) and driver. Use the flexible connection cable in applications where the cable is bent and flexed repeatedly.

For motor with electromagnetic brake, a cable for the motor and another one for the electromagnetic brake come as a set.

● Product Line

◇ Connection Cable Set

● For Single Shaft Motors, Double Shaft Motors



Cable for Motor

Product Name	Length L m (ft.)	List Price
CC010VAF	1 (3.3)	\$61.00
CC020VAF	2 (6.6)	\$74.00
CC030VAF	3 (9.8)	\$88.00
CC050VAF	5 (16.4)	\$114.00
CC070VAF	7 (23.0)	\$140.00
CC100VAF	10 (32.8)	\$180.00
CC150VAF	15 (49.2)	\$246.00
CC200VAF	20 (65.6)	\$312.00
CC300VAF	30 (98.4)	\$444.00

◇ Flexible Connection Cable Set

● For Single Shaft Motors, Double Shaft Motors

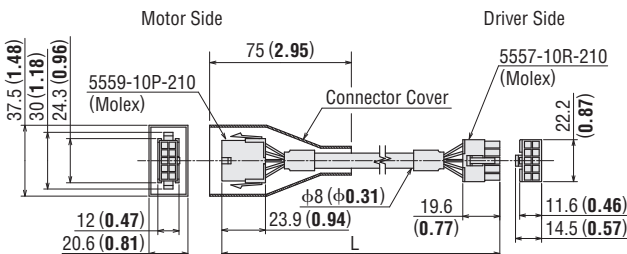


Cable for Motor

Product Name	Length L m (ft.)	List Price
CC010VAR	1 (3.3)	\$100.00
CC020VAR	2 (6.6)	\$136.00
CC030VAR	3 (9.8)	\$172.00
CC050VAR	5 (16.4)	\$244.00
CC070VAR	7 (23.0)	\$316.00
CC100VAR	10 (32.8)	\$424.00
CC150VAR	15 (49.2)	\$604.00
CC200VAR	20 (65.6)	\$784.00
CC300VAR	30 (98.4)	\$1,144.00

● Dimensions Unit = mm (in.)

◇ Cable for Motor



● For Motor with Electromagnetic Brake



Cable for Motor



Cable for Electromagnetic Brake

Product Name	Length L m (ft.)	List Price
CC010VAFB	1 (3.3)	\$80.00
CC020VAFB	2 (6.6)	\$96.00
CC030VAFB	3 (9.8)	\$112.00
CC050VAFB	5 (16.4)	\$143.00
CC070VAFB	7 (23.0)	\$174.00
CC100VAFB	10 (32.8)	\$221.00
CC150VAFB	15 (49.2)	\$299.00
CC200VAFB	20 (65.6)	\$377.00
CC300VAFB	30 (98.4)	\$533.00

● For Motor with Electromagnetic Brake



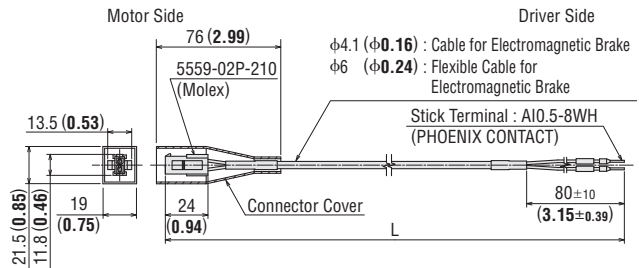
Cable for Motor



Cable for Electromagnetic Brake

Product Name	Length L m (ft.)	List Price
CC010VARB	1 (3.3)	\$122.00
CC020VARB	2 (6.6)	\$164.00
CC030VARB	3 (9.8)	\$206.00
CC050VARB	5 (16.4)	\$290.00
CC070VARB	7 (23.0)	\$374.00
CC100VARB	10 (32.8)	\$500.00
CC150VARB	15 (49.2)	\$710.00
CC200VARB	20 (65.6)	\$920.00
CC300VARB	30 (98.4)	\$1,340.00

◇ Cable for Electromagnetic Brake



Note

● Notes on Use of a Flexible Cable → Page E-140

Overview,
Product
Series

Electric
Linear
Slides

αSTEP AR
EAS

Electric
Cylinders

αSTEP AR
EAC

DRLII

Hollow
Rotary
Actuators

αSTEP AR
DGII

Accessories

2 Extension Cable Set

Flexible Extension Cable Set

These cables can be used to extend the connection cables that are included with products. When extending cables, keep the overall cable length at 30 m (98.4 ft.) or less.

Use the flexible extension cable in applications where the cable is bent and flexed repeatedly.

For motor with electromagnetic brake, a cable for the motor and another one for the electromagnetic brake come as a set.

Product Line

Extension Cable Set

For Single Shaft Motors, Double Shaft Motors



Cable for Motor

Product Name	Length L m (ft.)	List Price
CC010VAFT	1 (3.3)	\$67.00
CC020VAFT	2 (6.6)	\$80.00
CC030VAFT	3 (9.8)	\$94.00
CC050VAFT	5 (16.4)	\$120.00
CC070VAFT	7 (23.0)	\$146.00
CC100VAFT	10 (32.8)	\$186.00
CC150VAFT	15 (49.2)	\$252.00
CC200VAFT	20 (65.6)	\$318.00

Flexible Extension Cable Set

For Single Shaft Motors, Double Shaft Motors

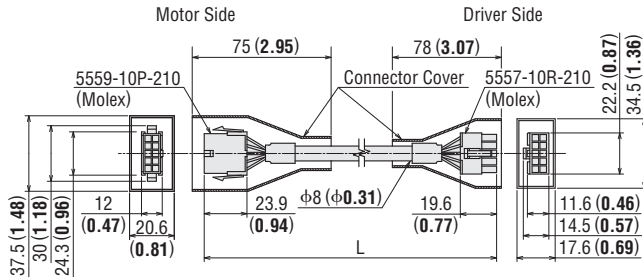


Cable for Motor

Product Name	Length L m (ft.)	List Price
CC010VART	1 (3.3)	\$106.00
CC020VART	2 (6.6)	\$142.00
CC030VART	3 (9.8)	\$178.00
CC050VART	5 (16.4)	\$250.00
CC070VART	7 (23.0)	\$322.00
CC100VART	10 (32.8)	\$430.00
CC150VART	15 (49.2)	\$610.00
CC200VART	20 (65.6)	\$790.00

Dimensions Unit = mm (in.)

Cable for Motor



Note

- Keep the overall cable length at 30 m (98.4 ft.) or less when using an extension cable set or a flexible extension cable set to connect with an included cable.
- Notes on Use of a Flexible Cable → Page E-140

For Motor with Electromagnetic Brake



Cable for Motor



Cable for Electromagnetic Brake

Product Name	Length L m (ft.)	List Price
CC010VAFBT	1 (3.3)	\$91.00
CC020VAFBT	2 (6.6)	\$107.00
CC030VAFBT	3 (9.8)	\$122.00
CC050VAFBT	5 (16.4)	\$154.00
CC070VAFBT	7 (23.0)	\$185.00
CC100VAFBT	10 (32.8)	\$232.00
CC150VAFBT	15 (49.2)	\$310.00
CC200VAFBT	20 (65.6)	\$388.00

For Motor with Electromagnetic Brake



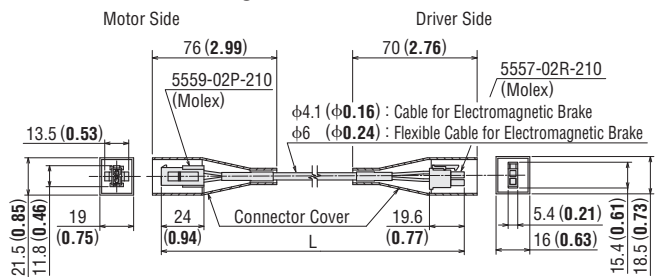
Cable for Motor



Cable for Electromagnetic Brake

Product Name	Length L m (ft.)	List Price
CC010VARBT	1 (3.3)	\$133.00
CC020VARBT	2 (6.6)	\$175.00
CC030VARBT	3 (9.8)	\$217.00
CC050VARBT	5 (16.4)	\$301.00
CC070VARBT	7 (23.0)	\$385.00
CC100VARBT	10 (32.8)	\$511.00
CC150VARBT	15 (49.2)	\$721.00
CC200VARBT	20 (65.6)	\$931.00

Cable for Electromagnetic Brake



3 General-Purpose Cables

These shielded cables have a half-pitch connector at one end of the cable for easy connection to the driver.

At the other end, the laminated lead wires are arranged in the 1.27 mm (0.05 in.) pitch, which are convenient for crimp connectors. Both ends of the cable are equipped with ground wires for easy grounding.

2 types are available: the straight type and right angle type.

Note

- Note that as the length of the pulse line between the driver and controller increases, the maximum transmission frequency decreases.
- Install a connector that matches the connection type of the controller you are using to the other end of the cable.

Product Line

◇ Straight Type

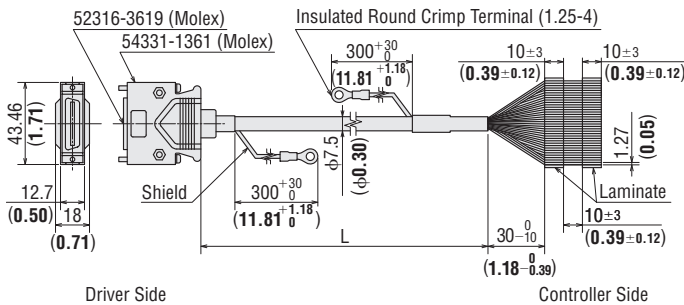
Product Name	Applicable Drivers	Length L m (ft.)	List Price
CC36D1E	For pulse input CN5 (36 pins)	1 (3.3)	\$112.00
CC36D2E		2 (6.6)	\$120.00

Dimensions Unit = mm (in.)

◇ Straight Type

CC36D1E, CC36D2E

Conductor: AWG28



Straight Type



Right Angle Type

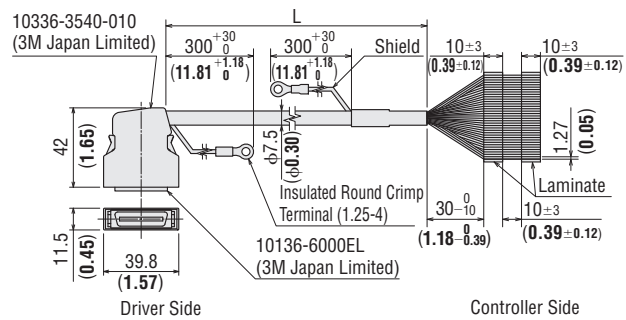
◇ Right Angle Type

Product Name	Applicable Drivers	Length L m (ft.)	List Price
CC36D1AE	For pulse input CN5 (36 pins)	1 (3.3)	\$112.00
CC36D2AE		2 (6.6)	\$120.00

◇ Right Angle Type

CC36D1AE, CC36D2AE

Conductor: AWG28



4 Connector – Terminal Block Conversion Units

These are conversion units that can connect a driver to a programmable controller or a sensor using a terminal block.

- A shielded cable is used. Easy grounding with ground wires at both ends of the cable.
- Includes a signal name plate for easy, one-glance identification of driver signal names.
- DIN rail installable
- Applicable terminal: Fork terminal
- Cable length: 1 m (3.3 ft.)

Product Line

Product Line	Product Name	Applicable Drivers	Length L m (ft.)	List Price
36 Poles	CC36T10E	For pulse input CN5 (36 pins)	1 (3.3)	\$284.00



CC36T10E

Overview,
Product
Series

Electric
Linear
Slides

αSTEP AR
EAS

Electric
Cylinders

αSTEP AR
EAC

DRLII

Hollow
Rotary
Actuators

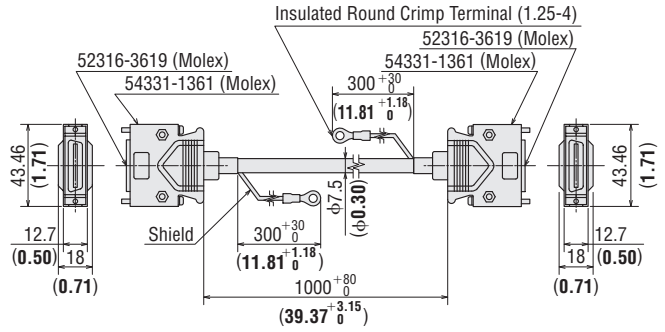
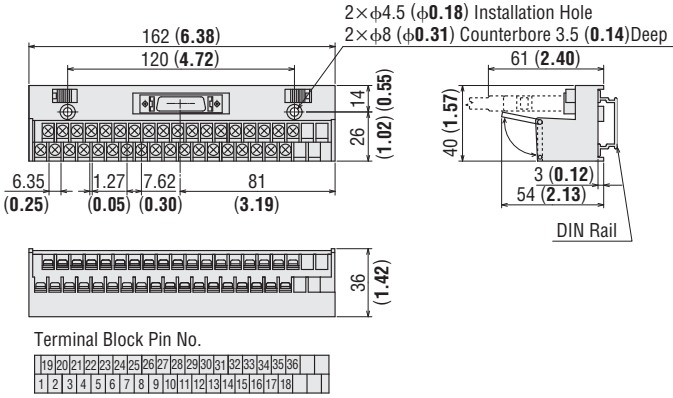
αSTEP AR
DGII

Accessories

● Dimensions Unit = mm (in.)

CC36T10E

2D CAD B991



5 General-Purpose Cables for I/O Signals

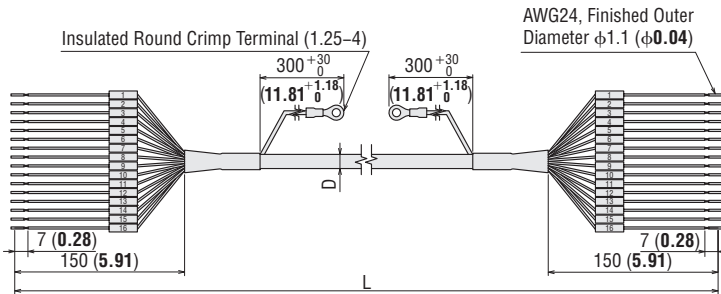
A purpose cable for connecting the driver and programmable controller 1 m (3.3 ft.), 2 m (6.6 ft.).

● Product Line

Product Name	Length L m (ft.)	Number of Lead Wire Cores	Outer Diameter D mm (in.)	AWG	List Price
CC06D010B-1	1 (3.3)	6	φ5.4 (0.21)	24	\$19.00
CC06D020B-1	2 (6.6)				\$23.00
CC10D010B-1	1 (3.3)	10	φ6.7 (0.26)		\$21.00
CC10D020B-1	2 (6.6)				\$26.00
CC12D010B-1	1 (3.3)	12	φ7.5 (0.30)		\$24.00
CC12D020B-1	2 (6.6)				\$30.00
CC16D010B-1	1 (3.3)	16	φ7.5 (0.30)		\$25.00
CC16D020B-1	2 (6.6)				\$31.00



● Dimensions Unit = mm (in.)



6 RS-485 Communication Cable

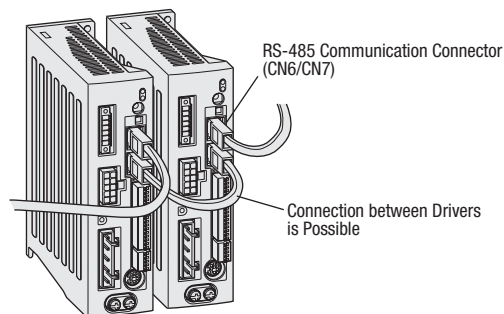
This cable is used to link built-in controller type drivers in multi-axis operations. It also connects the network converter to the driver.

Product Line

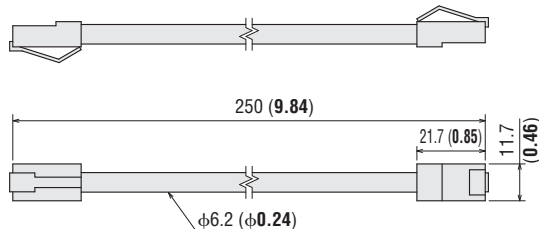
Product Name	Length m (ft.)	Applicable Product	List Price
CC002-RS4	0.25 (0.8)	Built-in Controller Type	\$35.00



● Connection Example (The illustration below shows an AC input when drivers are linked.)



Dimensions Unit = mm (in.)



7 General-Purpose Cables for DC Power Supplies

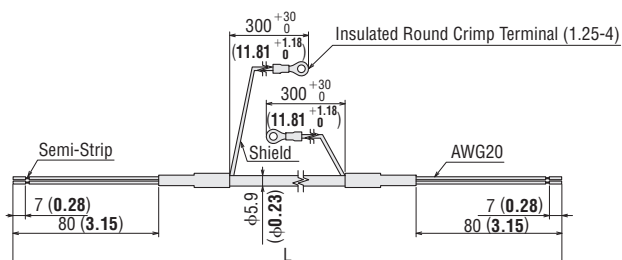
This cable is used to link drivers and DC power supplies.

Product Line

Product Name	Length L m (ft.)	List Price
CC02D010-3	1 (3.3)	\$12.00
CC02D020-3	2 (6.6)	\$15.00
CC02D050-3	5 (16.4)	\$23.00



Dimensions Unit = mm (in.)



Overview, Product Series

Electric Linear Slides

αSTEP AR EAS

Electric Cylinders

αSTEP AR EAC

DRLII

Hollow Rotary Actuators

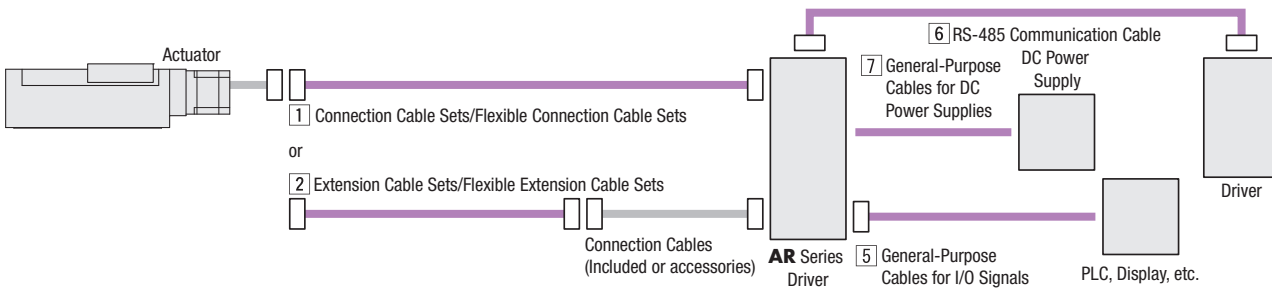
αSTEP AR DGII

Accessories

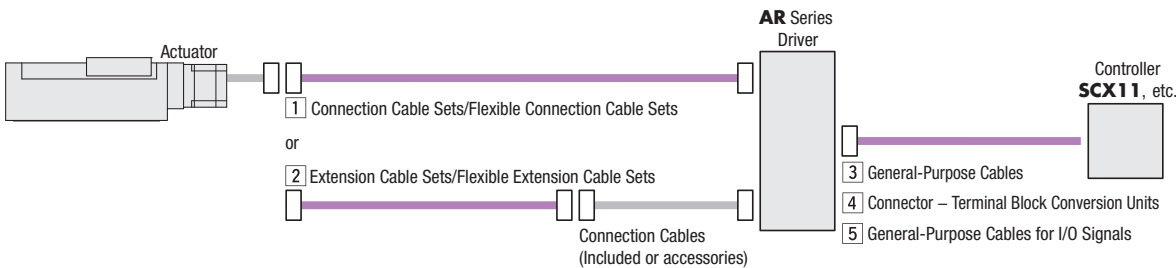
Cables for EAS, EAC, and DGII Series DC Input

Cable System Configuration

◇ Built-in Controller Type



◇ Pulse Input Type



1 Connection Cable Sets

Flexible Connection Cable Sets

These connection cables are used between the actuator (motor) and driver. Use the flexible connection cable in applications where the cable is bent and flexed repeatedly.

For motor with electromagnetic brake, a cable for the motor and another one for the electromagnetic brake come as a set.

● Product Line

◇ Connection Cable Sets

● For Single Shaft Motors, Double Shaft Motors



Cable for Motor

Product Name	Length L m (ft.)	List Price
CC010VA2F2	1 (3.3)	\$61.00
CC020VA2F2	2 (6.6)	\$74.00
CC030VA2F2	3 (9.8)	\$88.00
CC050VA2F2	5 (16.4)	\$114.00
CC070VA2F2	7 (23.0)	\$140.00
CC100VA2F2	10 (32.8)	\$180.00
CC150VA2F2	15 (49.2)	\$246.00
CC200VA2F2	20 (65.6)	\$312.00
CC300VA2F2	30 (98.4)	\$444.00

● For Motor with Electromagnetic Brake



Cable for Motor



Cable for Electromagnetic Brake

Product Name	Length L m (ft.)	List Price
CC010VA2FB2	1 (3.3)	\$82.00
CC020VA2FB2	2 (6.6)	\$98.00
CC030VA2FB2	3 (9.8)	\$115.00
CC050VA2FB2	5 (16.4)	\$146.00
CC070VA2FB2	7 (23.0)	\$178.00
CC100VA2FB2	10 (32.8)	\$226.00
CC150VA2FB2	15 (49.2)	\$306.00
CC200VA2FB2	20 (65.6)	\$386.00
CC300VA2FB2	30 (98.4)	\$546.00

◇ Flexible Connection Cable Sets

- For Single Shaft Motors, Double Shaft Motors

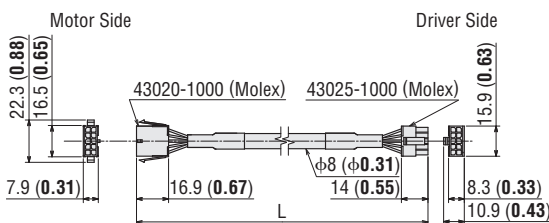


Cable for Motor

Product Name	Length L m (ft.)	List Price
CC010VA2R2	1 (3.3)	\$100.00
CC020VA2R2	2 (6.6)	\$136.00
CC030VA2R2	3 (9.8)	\$172.00
CC050VA2R2	5 (16.4)	\$244.00
CC070VA2R2	7 (23.0)	\$316.00
CC100VA2R2	10 (32.8)	\$424.00
CC150VA2R2	15 (49.2)	\$604.00
CC200VA2R2	20 (65.6)	\$784.00
CC300VA2R2	30 (98.4)	\$1,144.00

● Dimensions Unit = mm (in.)

◇ Cable for Motor



Note

● Notes on Use of a Flexible Cable → Page E-140

2 Extension Cable Sets

Flexible Extension Cable Sets

These cables can be used to extend the connection cables that are included with products. When extending cables, keep the overall cable length at 30 m (98.4 ft.) or less.

Use the flexible extension cable in applications where the cable is bent and flexed repeatedly.

For motor with electromagnetic brake, a cable for the motor and another one for the electromagnetic brake come as a set.

● Product Line

◇ Extension Cable Sets

- For Single Shaft Motors, Double Shaft Motors



Cable for Motor

Product Name	Length L m (ft.)	List Price
CC010VA2F2	1 (3.3)	\$61.00
CC020VA2F2	2 (6.6)	\$74.00
CC030VA2F2	3 (9.8)	\$88.00
CC050VA2F2	5 (16.4)	\$114.00
CC070VA2F2	7 (23.0)	\$140.00
CC100VA2F2	10 (32.8)	\$180.00
CC150VA2F2	15 (49.2)	\$246.00
CC200VA2F2	20 (65.6)	\$312.00

- For Motor with Electromagnetic Brake



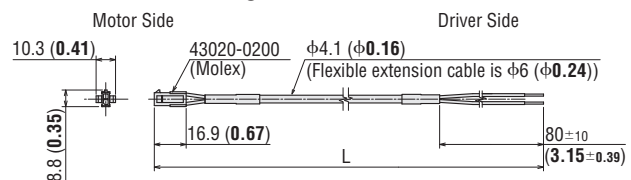
Cable for Motor



Cable for Electromagnetic Brake

Product Name	Length L m (ft.)	List Price
CC010VA2RB2	1 (3.3)	\$125.00
CC020VA2RB2	2 (6.6)	\$168.00
CC030VA2RB2	3 (9.8)	\$211.00
CC050VA2RB2	5 (16.4)	\$297.00
CC070VA2RB2	7 (23.0)	\$383.00
CC100VA2RB2	10 (32.8)	\$512.00
CC150VA2RB2	15 (49.2)	\$728.00
CC200VA2RB2	20 (65.6)	\$943.00
CC300VA2RB2	30 (98.4)	\$1,373.00

◇ Cable for Electromagnetic Brake



Overview, Product Series

Electric Linear Slides

αSTEP AR EAS

Electric Cylinders

αSTEP AR EAC

DRLII

Hollow Rotary Actuators

αSTEP AR DGII

Accessories

◇ Flexible Extension Cable Sets

- For Single Shaft Motors, Double Shaft Motors



Cable for Motor

Product Name	Length L m (ft.)	List Price
CC010VA2R2	1 (3.3)	\$100.00
CC020VA2R2	2 (6.6)	\$136.00
CC030VA2R2	3 (9.8)	\$172.00
CC050VA2R2	5 (16.4)	\$244.00
CC070VA2R2	7 (23.0)	\$316.00
CC100VA2R2	10 (32.8)	\$424.00
CC150VA2R2	15 (49.2)	\$604.00
CC200VA2R2	20 (65.6)	\$784.00

- For Motor with Electromagnetic Brake



Cable for Motor

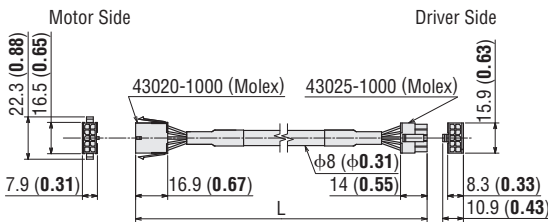


Cable for Electromagnetic Brake

Product Name	Length L m (ft.)	List Price
CC010VA2RBT2	1 (3.3)	\$136.00
CC020VA2RBT2	2 (6.6)	\$179.00
CC030VA2RBT2	3 (9.8)	\$222.00
CC050VA2RBT2	5 (16.4)	\$308.00
CC070VA2RBT2	7 (23.0)	\$394.00
CC100VA2RBT2	10 (32.8)	\$523.00
CC150VA2RBT2	15 (49.2)	\$739.00
CC200VA2RBT2	20 (65.6)	\$954.00

● Dimensions Unit = mm (in.)

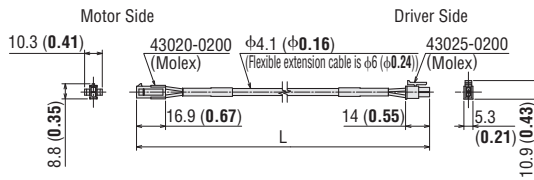
◇ Cable for Motor



Note

- Keep the overall cable length at 30 m (98.4 ft.) or less when using an extension cable set or a flexible extension cable set to connect with an included cable.
- Note on use of flexible extension cables → Page E-140

◇ Cable for Electromagnetic Brake



3 General-Purpose Cables

These shielded cables have a half-pitch connector at one end of the cable for easy connection to the driver.

At the other end, the laminated lead wires are arranged in the 1.27 mm (0.05 in.) pitch, which are convenient for crimp connectors. Both ends of the cable are equipped with ground wires for easy grounding. 2 types are available: the straight type and right angle type.

Note

- Note that as the length of the pulse line between the driver and controller increases, the maximum transmission frequency decreases.
- Install a connector that matches the connection type of the controller you are using to the other end of the cable.

● Product Line

◇ Straight Type

Product Name	Applicable Drivers	Length L m (ft.)	List Price
CC36D1E	For pulse input CN5 (36 pins)	1 (3.3)	\$112.00
CC36D2E		2 (6.6)	\$120.00

● Dimensions → Page E-143

◇ Right Angle Type

Product Name	Applicable Drivers	Length L m (ft.)	List Price
CC36D1AE	For pulse input CN5 (36 pins)	1 (3.3)	\$112.00
CC36D2AE		2 (6.6)	\$120.00

● Dimensions → Page E-143



Straight Type



Right Angle Type

4 Connector – Terminal Block Conversion Units

These are conversion units that can connect a driver to a programmable controller or a sensor using a terminal block.

- A shielded cable is used. Easy grounding with ground wires at both ends of the cable.
- Includes a signal name plate for easy, one-glance identification of driver signal names.
- DIN rail installable
- Applicable terminal: Fork terminal
- Cable length: 1 m (3.3 ft.)

● Product Line

Product Line	Product Name	Applicable Drivers	Length L m (ft.)	List Price
36 Poles	CC36T10E	For pulse input CN5 (36 pins)	1 (3.3)	\$284.00

● Dimensions → Page E-143



CC36T10E

5 General-Purpose Cables for I/O Signals

A purpose cable for connecting the driver and programmable controller 1 m (3.3 ft.), 2 m (6.6 ft.).

Product Line

Product Name	Length L m (ft.)	Number of Lead Wire Cores	Outer Diameter D mm (in.)	AWG	List Price
CC06D010B-1	1 (3.3)	6	φ5.4 (0.21)	24	\$19.00
CC06D020B-1	2 (6.6)				\$23.00
CC10D010B-1	1 (3.3)	10	φ6.7 (0.26)		\$21.00
CC10D020B-1	2 (6.6)				\$26.00
CC12D010B-1	1 (3.3)	12	φ7.5 (0.30)		\$24.00
CC12D020B-1	2 (6.6)				\$30.00
CC16D010B-1	1 (3.3)	16	φ7.5 (0.30)		\$25.00
CC16D020B-1	2 (6.6)				\$31.00

● Dimensions → Page E-144



6 RS-485 Communication Cable

This cable is used to link drivers in multi-axis operations. It also connects the network converter to the driver.

Product Line

Product Name	Length L m (ft.)	Applicable Product	List Price
CC001-RS4	0.1 (0.3)	Built-in Controller Type	\$29.00
CC002-RS4	0.25 (0.8)		\$35.00

● Dimensions → Page E-145



7 General-Purpose Cables for DC Power Supplies

This cable is used to link drivers and DC power supplies.

Product Line

Product Name	Length L m (ft.)	List Price
CC02D010-3	1 (3.3)	\$12.00
CC02D020-3	2 (6.6)	\$15.00
CC02D050-3	5 (16.4)	\$23.00

● Dimensions → Page E-145



Overview, Product Series

Electric Linear Slides

αSTEP AR EAS

Electric Cylinders

αSTEP AR EAC

DRLII

Hollow Rotary Actuators

αSTEP AR DGI

Accessories

Control Module

OPX-2A

Features

This enables you to perform operations such as setting the driver's internal parameters and setting or changing the data. It can also be used for operations such as speed and I/O monitoring and teaching.

- Settings and monitoring contents vary depending on the applicable product.

Product Line

Product Name	Price
OPX-2A	\$300.00



Specifications

Indication	LED
Cable Length	5 m (16.4 ft.)
Operating Ambient Temperature	0 to +40°C (+32 to +104°F) (non-freezing)

CC05IF-USB

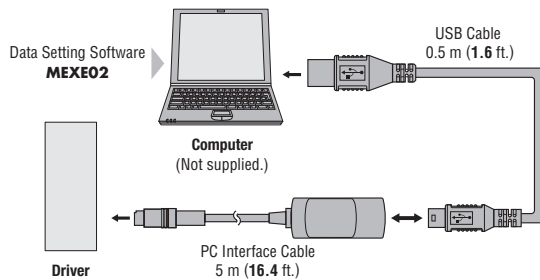
This communication cable is required for connecting to the computer on which the data setting software **MEXE02** is installed. A 5 m (16.4 ft.) PC interface cable and 0.5 m (1.6 ft.) USB cable are included.

Product Line

Product Name	List Price
CC05IF-USB	\$120.00



Computer and Driver Connection



Data Setting Software MEXE02

In addition to setting and editing the operating data and various parameters with a computer, you can perform teaching and monitor I/O and operating speed waveform with Data Setting Software. The data setting software can be downloaded from the website. Please contact us for details.
<http://www.orientalmotor.com>.

Note

- The setting contents vary depending on the applicable product. For details, please see the Oriental Motor website.

Operating Environment

Operating System (OS)

For the following operating systems, the 32-bit (x86) version and 64-bit (x64) version are supported.

- Microsoft Windows XP Service Pack 3*
- Microsoft Windows Vista Service Pack 2
- Microsoft Windows 7 Service Pack 1
- Microsoft Windows 8
- Microsoft Windows 8.1
- *The 64-bit (x64) version runs with Service Pack 2.

Computer

Recommended CPU*1	Intel Core processor 2 GHz or faster (OS must be supported)
Display	High resolution video adapter and monitor with a minimum resolution of XGA (1024×768)
Recommended Memory*1	32-bit (x86) version: 1 GB or more 64-bit (x64) version: 2 GB or more
Hard Disk*2	At least 60 MB of free disk space
USB Port	USB1.1 One port
Disk Device	CD-ROM Drive (Used for installation)

*1 The system requirements for the OS must be met.

*2 **MEXE02** requires Microsoft .NET Framework 4 Client Profile. It will be automatically installed if it is not already installed, so 1.5 GB of free space for the 64-bit (x64) version and 600 MB of free space for the 32-bit (x86) version may be required.

- Windows and Windows Vista are registered trademarks of Microsoft Corporation in the United States and other countries.
- Intel and Core are registered trademarks or trademarks of Intel Corporation in the United States and other countries.
- For the latest information on operating environment, refer to the Oriental Motor website.

Note

- The required memory and hard disk space may vary depending on the system environment.

Battery Set

Connect when using as an absolute backup system.

Product Line

Product Name	Applicable	List Price
BAT01B	Built-in Controller Type	\$128.00



Specifications

Item	Description
Battery Type	Sealed Nickel Metal Hydrogen Battery
Nominal Voltage	2.4 V
Rated Capacity	1900 mAh
Expected Life	Approx. 4 years*1
Charge Time	32 hours*1
Data Retention Period	Approx. 360 hours (Approx. 15 days)*1*2
Operating Ambient Temperature	0~+40°C (+32~+104°F) (non-freezing)
Operating Ambient Humidity	45~85% (Non-condensing)

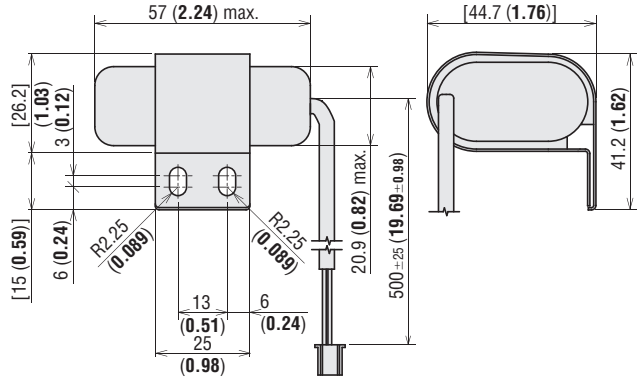
*1 At an ambient temperature of 20°C (68°F)

*2 After the power supply is cut OFF with the battery fully charged

Dimensions Unit = mm (in.)

Mass: 0.1 kg (0.22 lb.)

CAD B560



Overview,
Product
Series

Electric
Linear
Slides

αSTEP AR
EAS

Electric
Cylinders

αSTEP AR
EAC

DRLII

Hollow
Rotary
Actuators

αSTEP AR
DGII

Accessories

EAS Series-Exclusive Accessories

Sensor Set

Sensor sets dedicated to the **EAS** Series.

The sensor set consists of three sets of a sensor, a sensor mounting bracket, a flexible sensor cable with connector 2 m (6.6 ft.) and 1 shielding plate.

The screws needed for installation are also included.

The product name varies depending on the table type, the electric linear slide product, and the sensor output.

Product Line

For X-Table Type

Applicable Product	Sensor Output	Product Name	List Price
EAS4	NPN	PAES-S-4X	\$160.00
	PNP	PAES-SY-4X	
EAS6	NPN	PAES-S-6X	\$160.00
	PNP	PAES-SY-6X	

For Y-Table Type

Applicable Product	Sensor Output	Product Name	List Price
EAS4	NPN	PAES-S-4Y	\$160.00
	PNP	PAES-SY-4Y	
EAS6	NPN	PAES-S-6Y	\$160.00
	PNP	PAES-SY-6Y	



Specifications

NPN Type

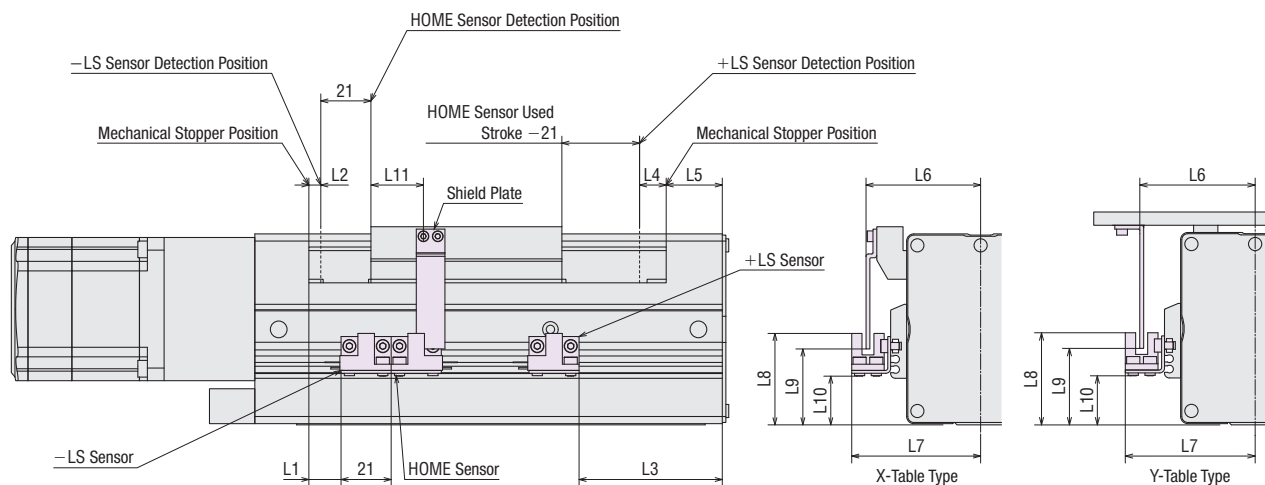
Item	Product Name: EE-SX674A (OMRON)
Power Supply Voltage	5~24 VDC±10%, Ripple (P-P) 10% or less
Current Consumption	35 mA or less.
Control Output	NPN Open-Collector Output, 5~24 VDC, 100 mA or less Residual Voltage 0.8 VDC or less (At load current of 100 mA)
Logic	Normally Open/Normally Closed (Selectable, depending on connection)
Indicator LED	Detection Display (Red)

PNP Type

Item	Product Name: EE-SX674R (OMRON)
Power Supply Voltage	5~24 VDC±10%, Ripple (P-P) 10%
Current Consumption	30 mA or less.
Control Output	PNP Open-Collector Output, 5~24 VDC, 50 mA or less Residual Voltage 1.3 VDC or less (At load current of 50 mA)
Logic	Normally Open/Normally Closed (Selectable, depending on connection)
Indicator LED	Detection Display (Red)

Dimensions for Sensor Installation Position (Unit mm)

The following reference diagram is an example for X-table type. The Y-table type is similar.



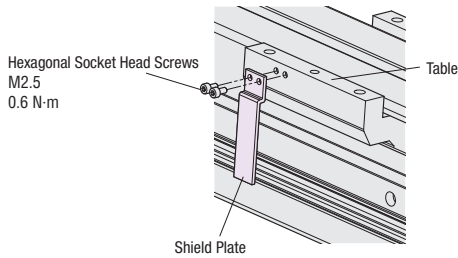
Electric Linear Slide Product	L1	L2	L3	L4	L5	L6	L7	L8	L9	L10	L11
EAS4	5.5	2	52.7	2	22.2	39.5	45.5	25.8	19.3	8.1	17
EAS6	13.5	5	71.7	5	28.2	48	54	37.3	30.8	19.6	22

- If the stroke of the electric linear slide is 50 mm, 2 sensors can be installed.
- Sensors and shield plates can also be installed on the opposite side of the diagram above.
- In case of the Y-table, install the shield plate to the load.

Shield Plate Installation

X-Table Type

For the X-table type, the shield plate can be installed to the table of the product. Install the shield plate included in the sensor set to the screw hole in the side of the table.



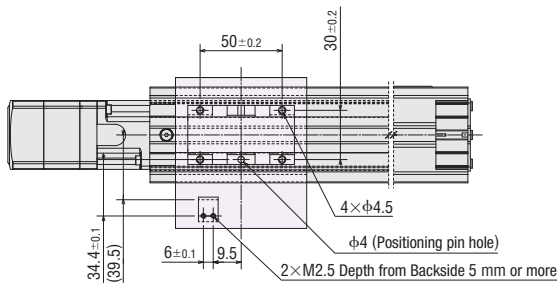
Y-Table Type

In case of the Y-table type, install the shield plate to the load. The screw hole, into which the shield plate is installed to the load, needs to be processed. For the positions of the screw holes for installing the shield plate, refer to the shield plate installation hole position reference diagrams.

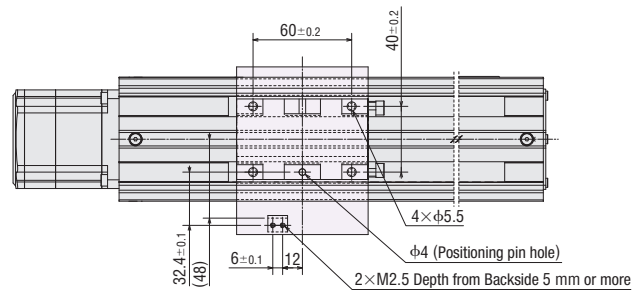
The shield plate must be installed in a way that will not interfere with the sensors. The shield plate dimensions for the Y-table type are shown below. Confirm that the shield plates do not interfere with the sensors. If the included shield plates cannot be used, prepare separate shield plates.

Shield Plate Installation Hole Position Dimensions (Unit mm)

EAS4

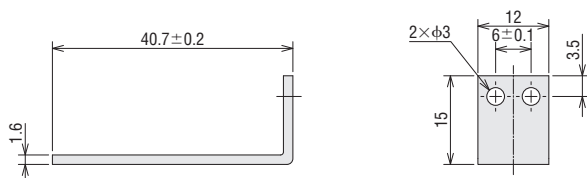


EAS6

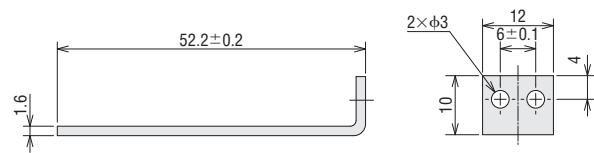


Shield Plate Dimensions (Unit mm)

EAS4

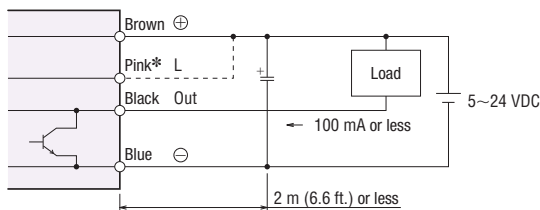


EAS6

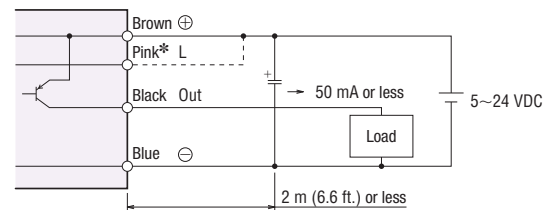


Connection

Sensor Output NPN Type



Sensor Output PNP Type



*The logic of the sensor varies depending on the connection method.

When the pink color lead is connected to the brown color lead, the sensor logic will be normally closed.

Note

- Do not disconnect the connectors for cable-equipped sensors in an energized state. This may damage the sensors.
- When disconnecting the connectors, do not pull the cables.
- If sensor wiring exceeds 2 m (6.6 ft.), insert an electrolytic capacitor (10 μ F, 50 V) within 2 m (6.6 ft.) from the sensor.

EAC Series-Exclusive Accessories

Installation Plate

Dedicated installation plates are available for the **EAC** Series.

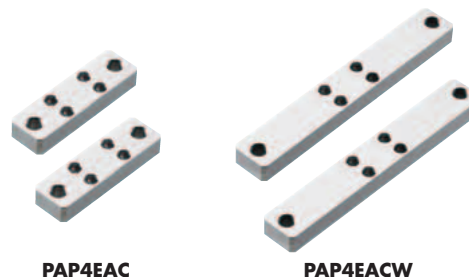
Foot Type

This is convenient for installing the electric cylinder to the wall surface or floor surface of the equipment.

Product Line

Product Name	Applicable Product	List Price
PAP4EAC	EAC4, EAC4R	\$30.00
PAP6EAC	EAC6, EAC6R	
PAP4EACW	EAC4W, EAC4RW	\$30.00
PAP6EACW	EAC6W, EAC6RW	

● The product names of the applicable products are described with alphanumeric characters by which the configuration can be identified.



PAP4EAC

PAP4EACW

Flange Type

This is convenient for installing the flange surface of the electric cylinder to the equipment.

Product Line

Product Name	Applicable Product	List Price
PAF4EAC	EAC4, EAC4R	\$30.00
PAF6EAC	EAC6, EAC6R	

● The product names of the applicable products are described with alphanumeric characters by which the configuration can be identified.

● The flange type installation plate cannot be installed to products with a shaft guide cover.



PAF4EAC

DGII Series-Exclusive Accessories

Home-Sensor Set

A home-sensor set, which consists of a photomicro sensor, connector with cable, sensor mounting bracket, shielding plate and installation screws, is provided to facilitate easy return to home operation.

All parts needed for return to home operation are included in the set, so you will spend less time designing, fabricating or procuring parts in connection with sensor installation. Installation is very easy, so you can start using the sensor right away.

Product Line

Product	Sensor Output	Applicable Product	List Price
PADG-SA	NPN	DG60	\$107.00
PADG-SAY	PNP		\$115.00
PADG-SB	NPN	DG85R DG130R	\$107.00
PADG-SBY	PNP	DG200R	\$115.00



Product: **PADG-SB**

Specifications

● NPN Type

Product	PADG-SA (OMRON Model: EE-SX672A) PADG-SB (OMRON Model: EE-SX673A)
Power Supply	5~24 VDC±10%, ripple (P-P) 10% or less
Current Consumption	35 mA or less
Control Output	NPN open-collector output, 5~24 VDC 100 mA or less Residual voltage 0.8 VDC or less (at load current of 100 mA)
Indicator LED	Detection display (red)
Sensor Logic	Normally open/normally closed (selectable, depending on connection)

● PNP Type

Product	PADG-SAY (OMRON Model: EE-SX672R) PADG-SBY (OMRON Model: EE-SX673R)
Power Supply	5~24 VDC±10%, ripple (P-P) 10% or less
Current Consumption	30 mA or less
Control Output	PNP open-collector output, 5~24 VDC 50 mA or less Residual voltage 1.3 VDC or less (at load current of 50 mA)
Indicator LED	Detection display (red)
Sensor Logic	Normally open/normally closed (selectable, depending on connection)

● Installing the Home-Sensor Set

Be aware of the following points when installing the accessory home-sensor set:

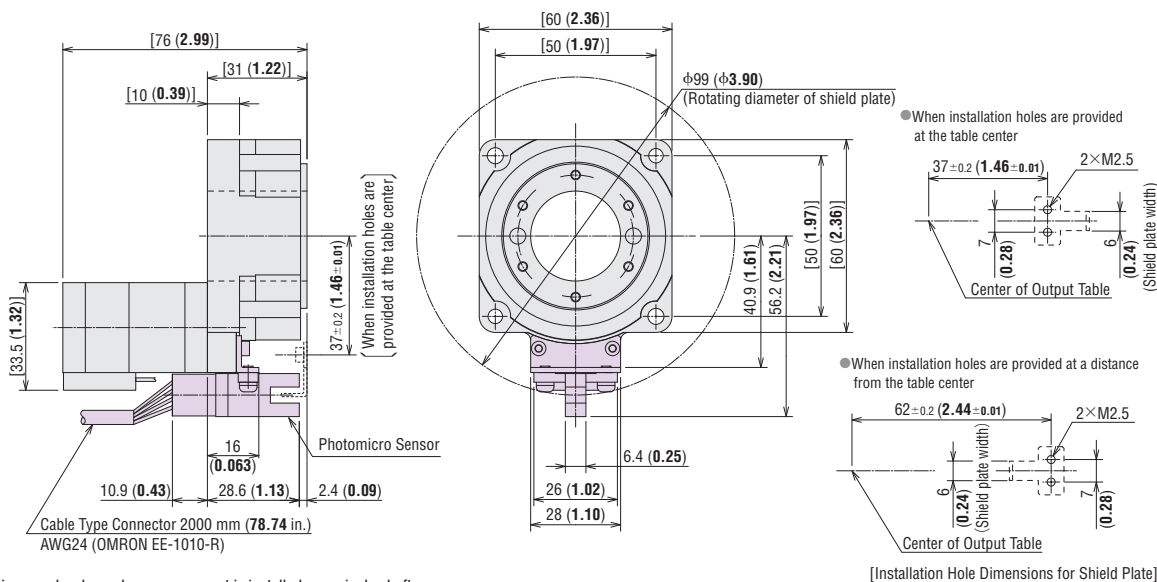
- Set the operating conditions so that the operating temperature stays at 40°C (104°F) or less and the surface temperature of the actuator motor stays at 90°C (194°F) or less.
- When performing return to home operation using the back shaft of the motor, the user must provide a separate sensor, mounting bracket and other necessary parts.

● When Extending the Sensor Cable

Use shielded cable when extending the sensor line more than 2 m (6.6 ft.). The shielded cable must be grounded.

Dimensions of Sensor Installation Unit = mm (in.)

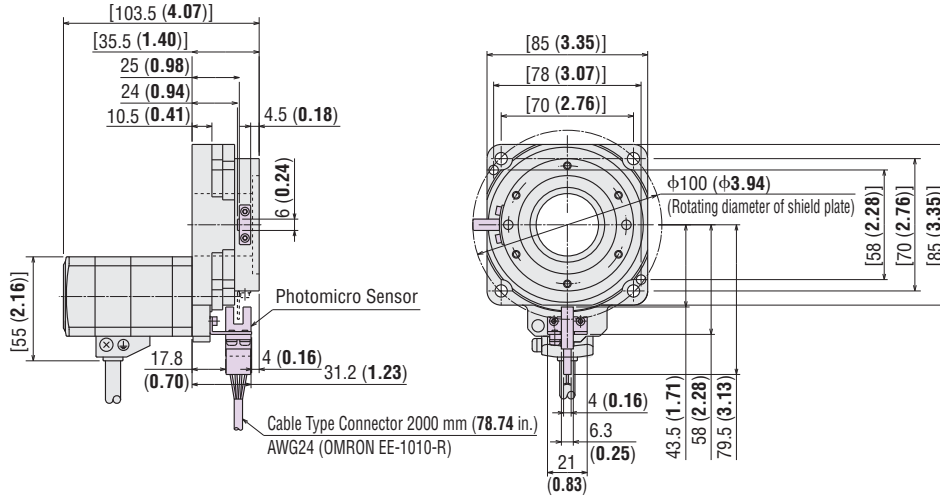
● DG60



- These dimensions apply when a home-sensor set is installed on a single shaft.
If a double shaft is used, check the configuration of the motor.

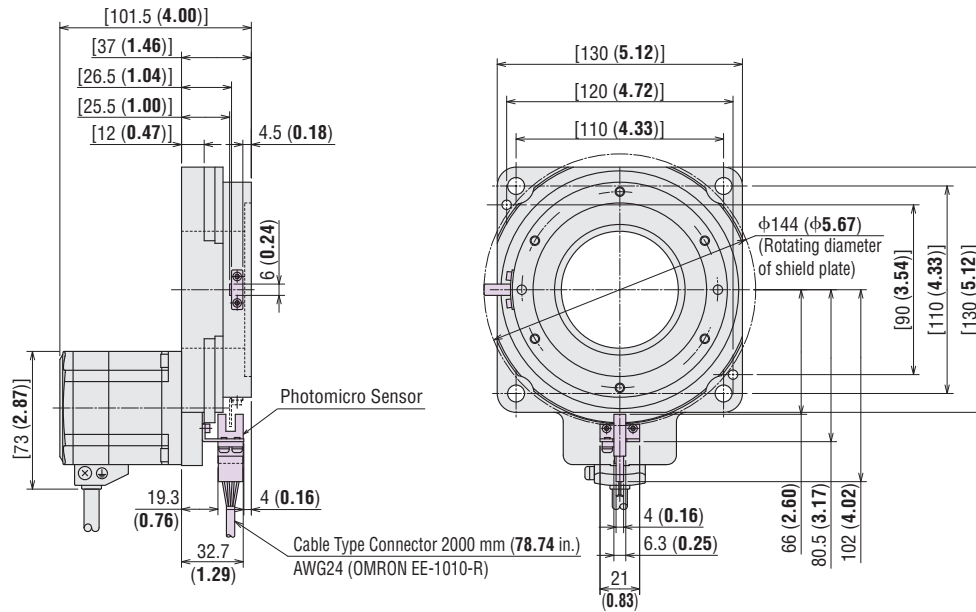
● **DG85R**

- These dimensions apply when a home-sensor set is installed on a single shaft.
If a double shaft is used, check the configuration of the motor.



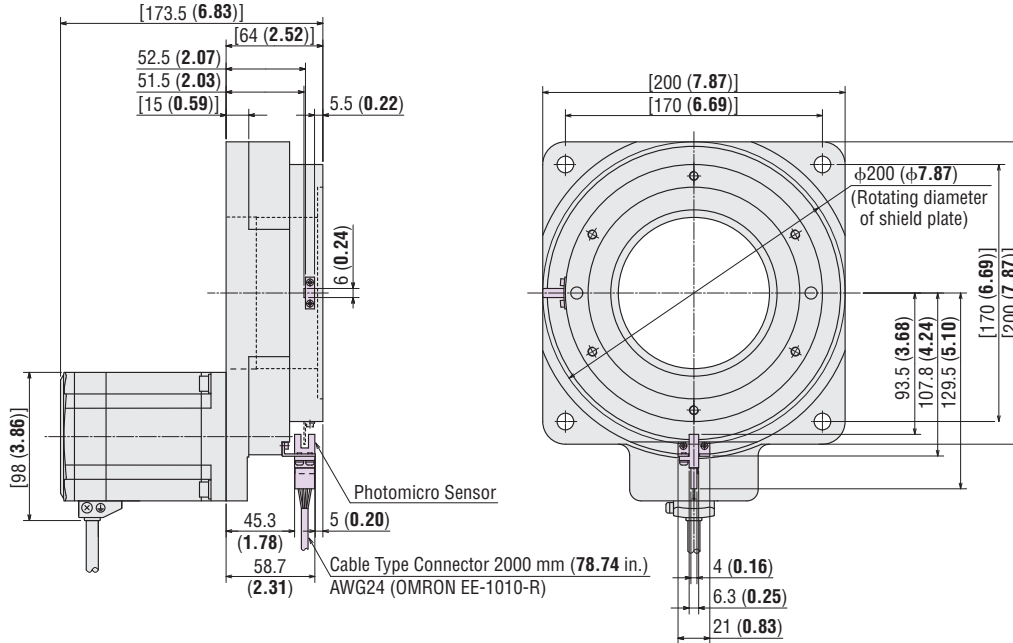
● **DG130R**

- These dimensions apply when a home-sensor set is installed on a single shaft.
If a double shaft or electromagnetic brake type is used, check the configuration of the motor.



● DG200R

- These dimensions apply when a home-sensor set is installed on a single shaft.
If a double shaft or electromagnetic brake type is used, check the configuration of the motor.



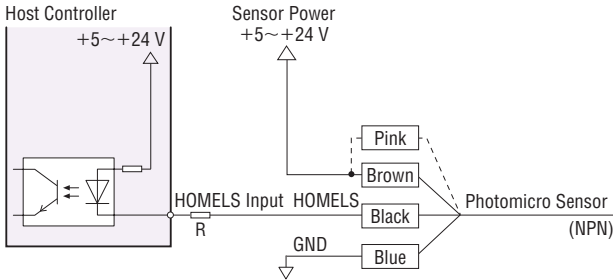
■ Wiring the Sensor

● NPN Type

Power supply voltage and current must be 5 to 24 VDC, 100 mA or below.

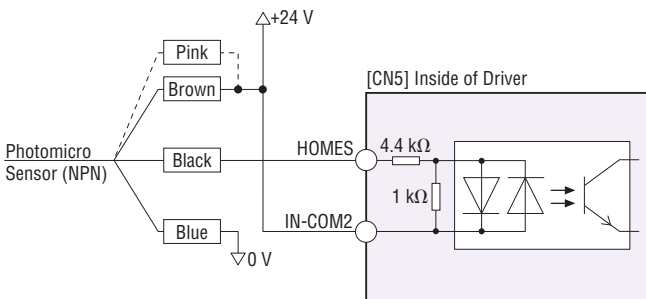
If the current exceeds 100 mA, connect an external resistor R. GND for sensor power supply and customer's controller power supply should be common.

<Pulse Input Type>



--- Connect the pink lead to the brown lead when the sensor logic is N.C. (normally closed).
The pink lead is not connected when the sensor logic is N.O. (normally open).

<Built-in Controller Type>



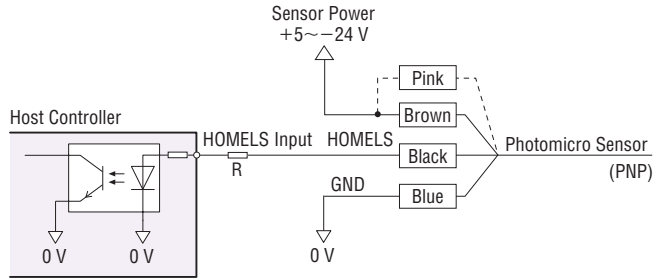
--- Connect the pink lead wire to the brown lead wire when the sensor logic is N.C. (normally closed).
The pink lead wire is not connected when the sensor logic is N.O. (normally open).

● PNP Type

Power supply voltage and current must be 5 to 24 VDC, 50 mA or below.

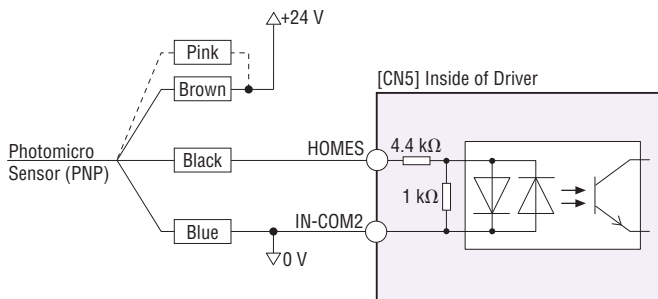
If the current exceeds 50 mA, connect an external resistor R.

<Pulse Input Type>



--- Connect the pink lead to the brown lead when the sensor logic is N.C. (normally closed).
The pink lead is not connected when the sensor logic is N.O. (normally open).

<Built-in Controller Type>



--- Connect the pink lead wire to the brown lead wire when the sensor logic is N.C. (normally closed).
The pink lead wire is not connected when the sensor logic is N.O. (normally open).

Overview,
Product
Series

Electric
Linear
Slides

αSTEP AR
EAS

Electric
Cylinders

αSTEP AR
EAC

DRLII

Hollow
Rotary
Actuators

αSTEP AR
DGII

Accessories

Mounting Pedestals

This is a useful mounting pedestal that enables the **DGII** Series to be used as a direct drive motor. Applications that require height and installation from the side can also be performed, expanding the range of available operations.

Prices

Product Name	DGII Series Applicable Products		List Price
	Motor Type	Applicable Products	
MDG60A	Single Shaft	DG60-ARA	\$176.00
MDG60B	Single Shaft/Double Shaft	DG60-ARA DG60-ARB	\$192.00
MDG85A	Single Shaft	DG85R-ARA	\$272.00
MDG85B	Single Shaft/Double Shaft	DG85R-ARA DG85R-ARB	\$304.00
MDG130A	Single Shaft	DG130R-ARA	\$368.00
MDG130B	Single Shaft/Double Shaft with Electromagnetic Brake	DG130R-ARA DG130R-ARB DG130R-ARM	\$400.00

● The product names of the applicable products are described with text by which the product name can be identified.



The following items are included with each product.
Hexagonal Socket Head Screws for Actuator Assembly, Positioning Pins, Bands (for Cable Clamping), Band Bases, Set Screws for Band Bases

Overview,
Product
Series

Electric
Linear
Slides

α STEP AR
EAS

Electric
Cylinders

α STEP AR
EAC

DRLII

Hollow
Rotary
Actuators

α STEP AR
DGII

Accessories