

Cooling Fans

Accessories

| | Page |
|---|-------|
| Finger Guards..... | G-108 |
| Filters..... | G-110 |
| Screens | G-113 |
| Plug Cords for Connection to Power Supply | G-114 |

Accessories

Overview,
Product
Series

Axial
Flow
Fans

AC Input
Low-Power
Consumption
EMU

AC Input
Compact Size
MU

AC Input
Large Size,
Large Air Flow
MRS

AC Input
Long-Life
MRE

DC Input
MDS
MD

DC Input
Alarm
MDA

DC Input
Variable Flow
MDV

DC Input
Long-Life
MDE

DC Input
Splash Proof
MDP

Centrifugal
Blowers

AC Input
MB
DC Input
MBD

Cross Flow Fans

AC Input
MF
DC Input
MFD

Enclosure Fan
Modules

Thermostat

Accessories

Installation

Finger Guards

It is very dangerous to touch fan blades when the fan is operating. Finger guards prevent fingers or foreign objects from entering the device. Finger guards are mounted to the fan frame using bolts.

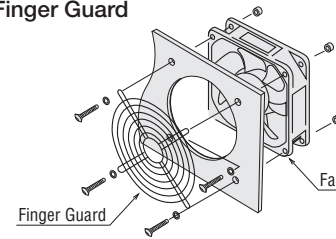
Material: Steel wire
Finish: Chrome plating

● For the **EMU** Series, **MU** Series, and **MD** Series, if the installation screws included in the fan kit product are used, finger guards can be installed on both sides of the fan. (When the installation panel thickness is 2 mm (0.08 in.) or less)



For Axial Flow Fans

Installing the Finger Guard



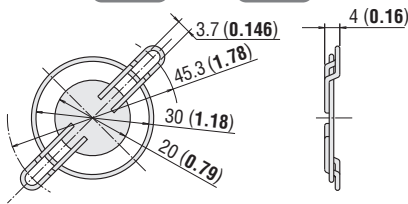
Dimensions Unit = mm (in.)

Finger Guards for Axial Flow Fans

FG4D..... for MDS410

List Price \$3.00 Mass: 4.2 g (0.15 oz.)

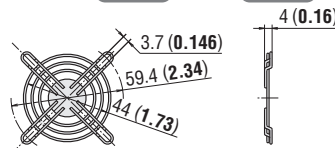
2D CAD E085 3D CAD



FG5D..... for MDS510

List Price \$4.00 Mass: 7.7 g (0.27 oz.)

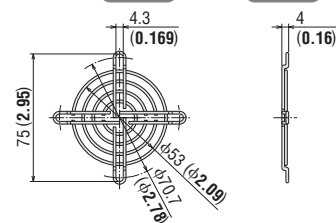
2D CAD E086 3D CAD



FG6E..... For MDS625, MDV625 and MDE625

List Price \$5.00 Mass: 13 g (0.46 oz.)

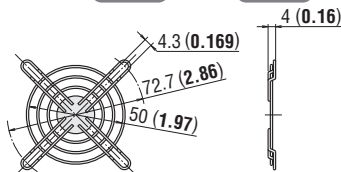
2D CAD E196 3D CAD



FG6D..... for MD625 and MDA625

List Price \$4.00 Mass: 8.3 g (0.29 oz.)

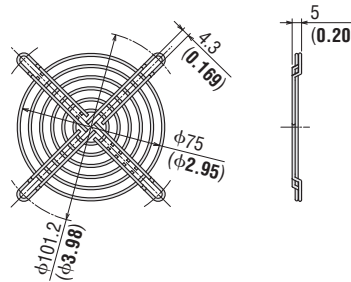
2D CAD E087 3D CAD



FG8D..... for MU825, MDS825, MD825, MDA825, MDV825 and MDE825

List Price \$5.00 Mass: 23 g (0.81 oz.)

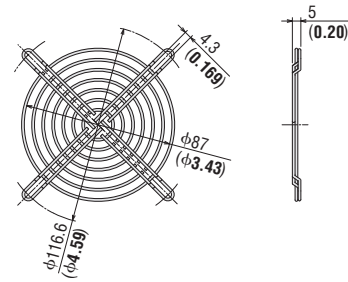
2D CAD E048 3D CAD



FG9D..... for MU925, MDS925, MD925, MDA925, MDV925, MDE925

List Price \$5.00 Mass: 28 g (0.99 oz.)

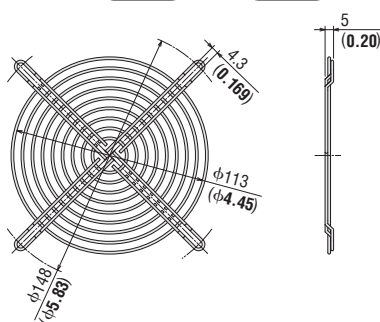
2D CAD E049 3D CAD



FG12D..... for EMU1238, MU1225, MU1238, MD1225, MDS1225, MDS1238, MDA1225, MDA1238, MDV1238, MDE1225 and MDE1238

List Price \$6.00 Mass: 42 g (1.48 oz.)

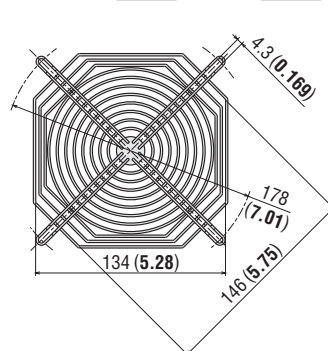
2D CAD E051 3D CAD



FG14D..... for MU1428, MRS14, MDS1451, MDA1451 and MDE1451

List Price \$7.00 Mass: 64 g (2.3 oz.)

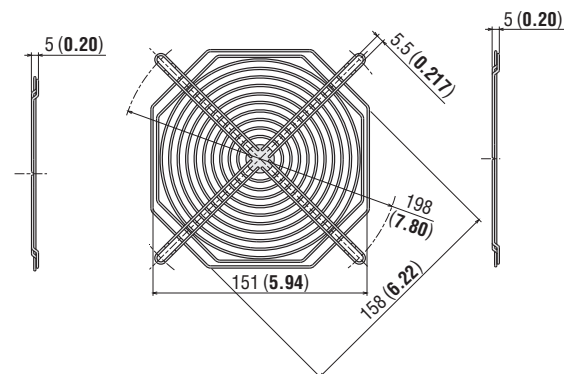
2D CAD E052 3D CAD



FG16D..... for MRS16 and MRE16

List Price \$11.00 Mass: 75 g (2.6 oz.)

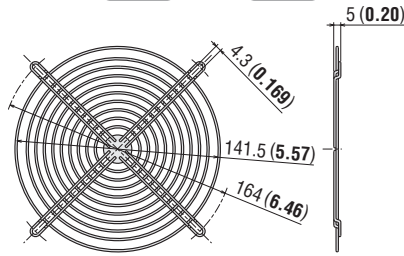
2D CAD E053 3D CAD



FG17D..... for **MDS1751**, **MDA1751** and **MDE1751**

List Price \$14.00 Mass: 57 g (2.0 oz.)

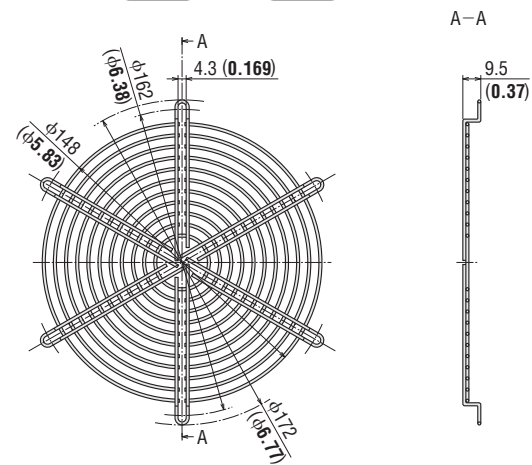
2D CAD E054 **3D CAD**



FG17DF..... for **MDS1751F** and **MDE1751F**

List Price \$21.00 Mass: 65 g (2.3 oz.)

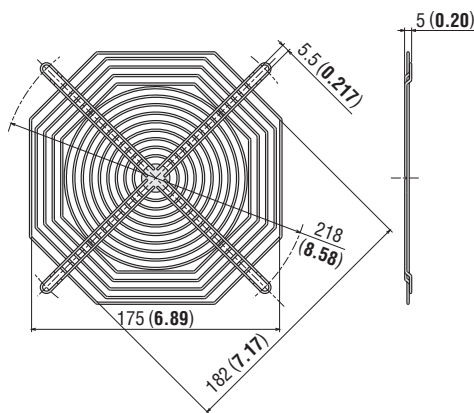
2D CAD E195 **3D CAD**



FG18D..... for **MRS18** and **MRE18**

List Price \$18.00 Mass: 95 g (3.4 oz.)

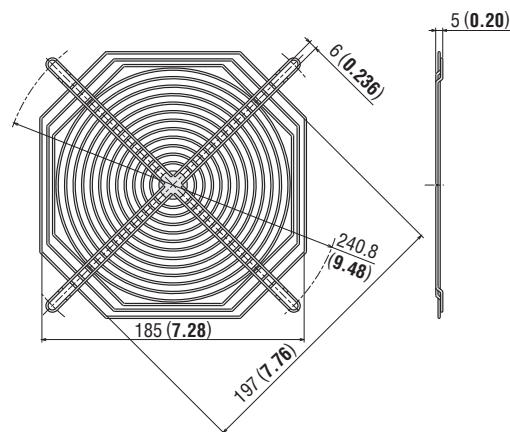
2D CAD E055 **3D CAD**



FG20D..... for **MRS20** and **MRE20**

List Price \$22.00 Mass: 105 g (3.7 oz.)

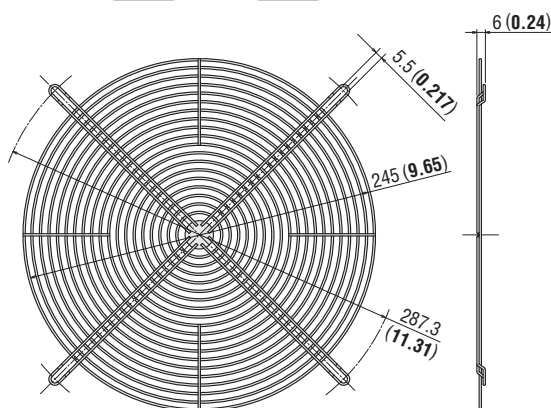
2D CAD E056 **3D CAD**



FG25D..... for **MRS25**

List Price \$26.00 Mass: 160 g (5.6 oz.)

2D CAD E107 **3D CAD**



Overview,
Product
Series

Axial
Flow
Fans

AC Input
Low-Power
Consumption
EMU

AC Input
Compact Size
MU

AC Input
Large Size,
Large Air Flow
MRS

AC Input
Long-Life
MRE

DC Input
MDS
MD

DC Input
Alarm
MDA

DC Input
Variable Flow
MDV

DC Input
Long-Life
MDE

DC Input
Splash Proof
MDP

Centrifugal
Blowers

AC Input
MB
DC Input
MBD

Cross Flow Fans

AC Input
MF
DC Input
MFD

Enclosure Fan
Modules

Thermostat

Accessories

Installation

Filters

When using a fan to cool machinery, dust may accumulate inside the machinery after long periods of operation. Depending on the parts involved, this could cause a malfunction.

These filters prevent dust from entering the device, keeping the air inside the machinery dust free.

The filter consists of the following three parts:

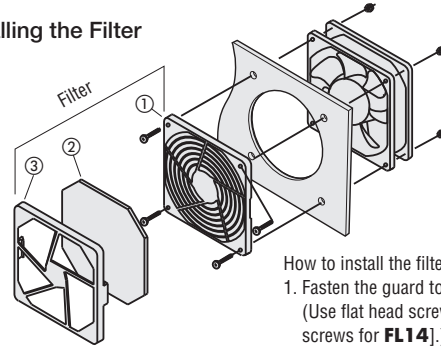
- ① Guard : Plastic finger guard
Flammability grade: V-0
- ② Filter Media : Polyurethane air-cleaning filter media 20 to 45 PPI
(PPI: The number of air bubbles per inch)
- ③ Retainer : Plastic retainer for filtering material
Flammability grade: V-0

The filter media and the retainer can be attached and detached very easily without taking the fan off for maintenance.



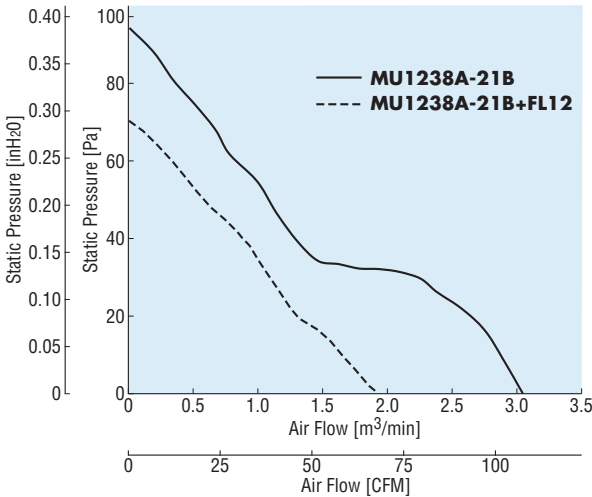
For Axial Flow Fans

Installing the Filter



- How to install the filter
1. Fasten the guard to the fan.
(Use flat head screws [round head screws for **FL14**].)
 2. Insert the filter media and attach the retainer to the guard.

Example of Air Flow – Static Pressure Characteristics When Using a Filter



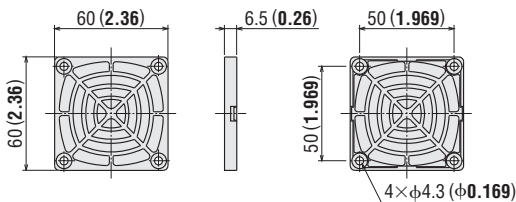
Dimensions Unit = mm (in.)

Filters for Axial Flow Fans

FL6..... for **MDS625**, **MD625**, **MDA625**, **MDV625** and **MDE625**

List Price \$8.00 Mass: 11 g (0.39 oz.) (Filter media: 45 PPI)

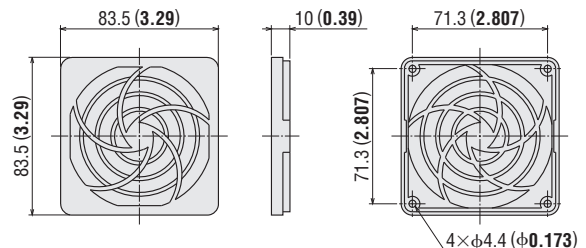
2D CAD E162



FL8..... for **MU825**, **MDS825**, **MD825**, **MDA825**, **MDV825** and **MDE825**

List Price \$9.00 Mass: 19 g (0.67 oz.) (Filter media: 20 PPI)

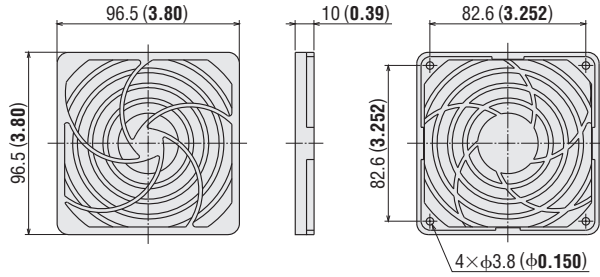
2D CAD E163



FL9..... for **MU925, MDS925, MD925, MDA925, MDV925** and **MDE925**

List Price \$9.00 Mass: 26 g (0.92 oz.) (Filter media: 20 PPI)

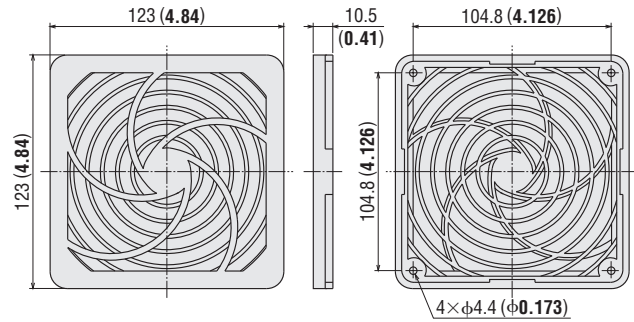
2D CAD E164



FL12..... for **EMU1238, MU1225, MU1238, MDS1225, MD1225, MDS1238, MDA1225, MDA1238, MDV1238, MDE1225** and **MDE1238**

List Price \$10.00 Mass: 46 g (1.62 oz.) (Filter media: 20 PPI)

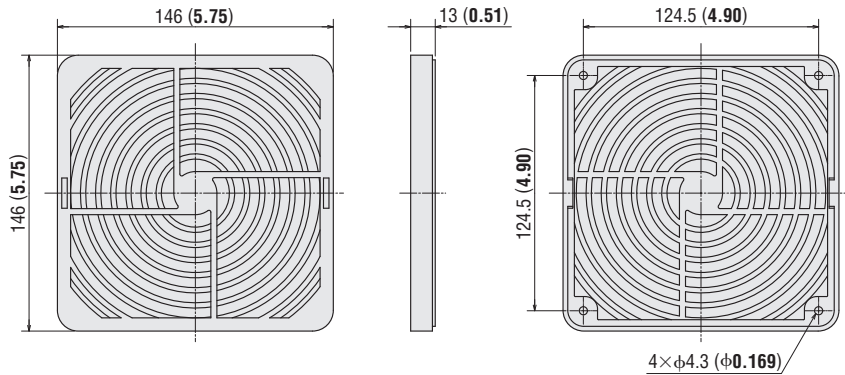
2D CAD E166



FL14..... for **MRS14, MDS1451, MDA1451** and **MDE1451**

List Price \$17.00 Mass: 92 g (3.25 oz.) (Filter media: 30 PPI)

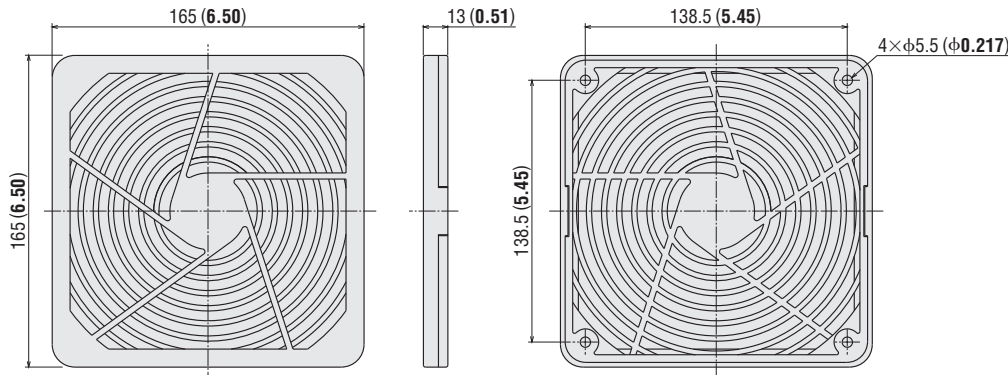
2D CAD E167



FL16..... for **MRS16** and **MRE16**

List Price \$18.00 Mass: 126 g (4.4 oz.) (Filter media: 30 PPI)

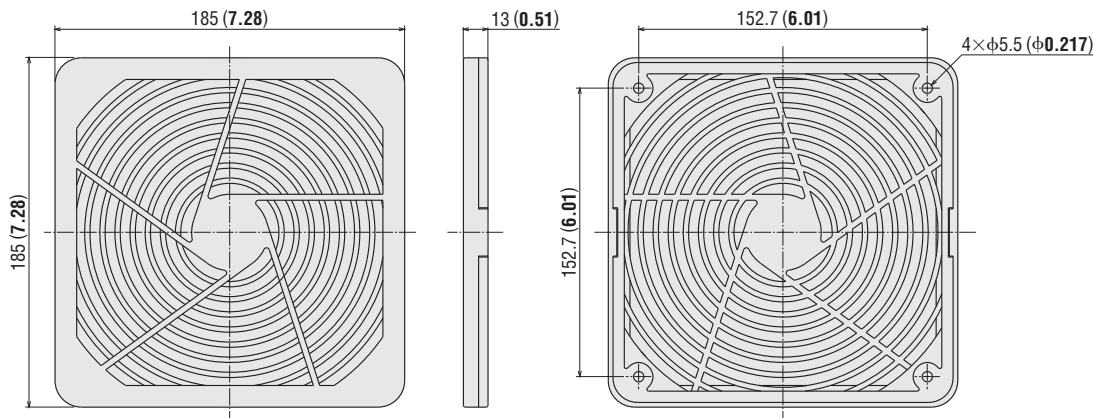
2D CAD E168



FL18..... for **MRS18** and **MRE18**

List Price \$29.00 Mass: 165 g (5.8 oz.) (Filter media: 30 PPI)

2D CAD E169



Overview,
Product
Series

Axial
Flow
Fans

AC Input
Low-Power
Consumption
EMU

AC Input
Compact Size
MU

AC Input
Large Size,
Large Air Flow
MRS

AC Input
Long-Life
MRE

DC Input
MDS
MD

DC Input
Alarm
MDA

DC Input
Variable Flow
MDV

DC Input
Long-Life
MDE

DC Input
Splash Proof
MDP

Centrifugal
Blowers

AC Input
MB
DC Input
MBD

Cross Flow Fans

AC Input
MF
DC Input
MF D

Enclosure Fan
Modules

Thermostat

Accessories

Installation

■ Replacement Filter Media

● For Filters for Axial Flow Fans

| Product Name | List Price | Applicable Filters |
|--------------|------------|--------------------|
| FLM6 | \$38.00 | FL6 |
| FLM8 | \$40.00 | FL8 |
| FLM9 | \$41.00 | FL9 |
| FLM12 | \$42.00 | FL12 |
| FLM14 | \$43.00 | FL14 |
| FLM16 | \$45.00 | FL16 |
| FLM18 | \$46.00 | FL18 |

Note

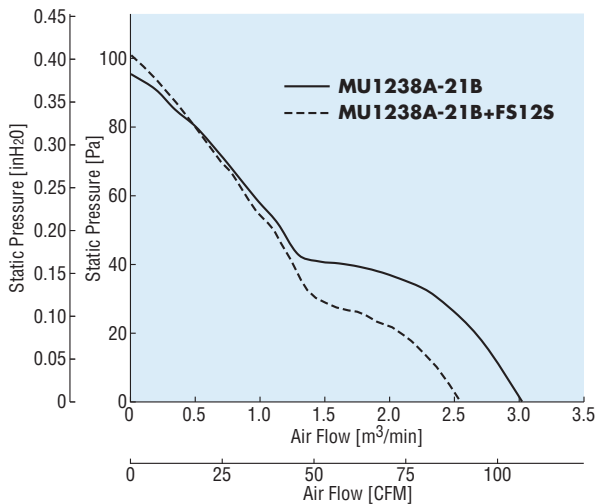
- One package contains five filter media.
- When ordering, please specify the quantity by the number of packages.
- List Price indicates the price with one package.

Screens

Fans are used to cool or ventilate electronic devices that may generate electromagnetic waves. These waves can escape from the fan cooling holes, causing interference to computers and measuring instruments. The screens allow the passage of air, but block electromagnetic waves.

The screen is a durable magnetic shield using an stainless mesh fixed to an aluminum frame. Screens are easily attached to the fan using screws.

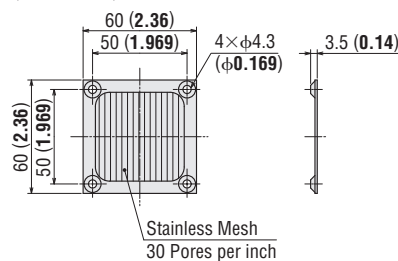
Example of Air Flow – Static Pressure Characteristics When Using a Screen



Dimensions Unit = mm (in.)

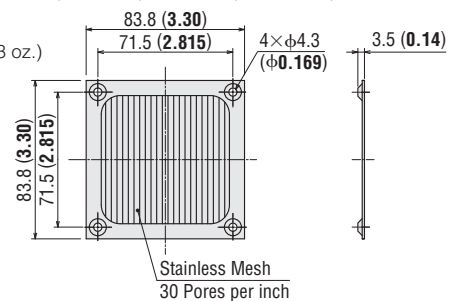
FS6S..... for **MDS625, MD625, MDA625, MDV625** and **MDE625**

List Price \$8.00
Mass: 7 g (0.25 oz.)
2D CAD E173



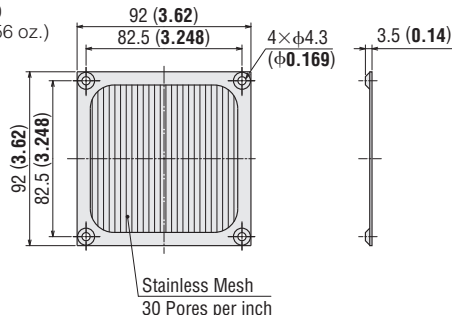
FS8S..... for **MU825, MDS825, MD825, MDA825, MDV825, MDE825** and **MDP825**

List Price \$8.00
Mass: 15 g (0.53 oz.)
2D CAD E174



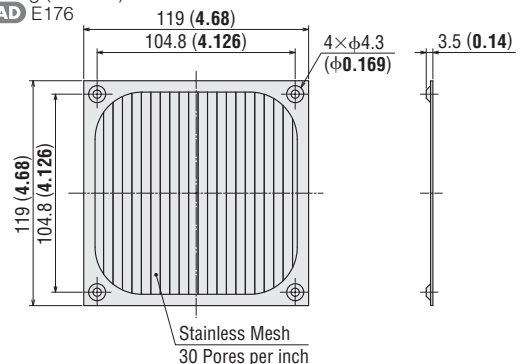
FS9S..... for **MU925, MDS925, MD925, MDA925, MDV925, MDE925** and **MDP925**

List Price \$8.00
Mass: 16 g (0.56 oz.)
2D CAD E175

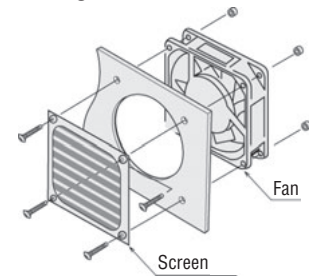


FS12S..... for **EMU1238, MU1225, MU1238, MDS1225, MD1225, MDS1238, MDA1225, MDA1238, MDV1238, MDE1225, MDE1238** and **MDP1238**

List Price \$8.00
Mass: 24 g (0.85 oz.)
2D CAD E176



Installing the Screen



- Install from the flat side of the fan.
- To shut out electromagnetic waves, it is necessary to install such that there is no gap between the screen edges and the enclosure.

Overview,
Product
Series

Axial
Flow
Fans

AC Input
Low-Power
Consumption
EMU

AC Input
Compact Size
MU

AC Input
Large Size,
Large Air Flow
MRS

AC Input
Long-Life
MRE

DC Input
MDS
MD

DC Input
Alarm
MDA

DC Input
Variable Flow
MDV

DC Input
Long-Life
MDE

DC Input
Splash Proof
MDP

Centrifugal
Blowers

AC Input
MB
DC Input
MBD

Cross Flow Fans

AC Input
MF
DC Input
MFD

Enclosure Fan
Modules

Thermostat

Accessories

Installation

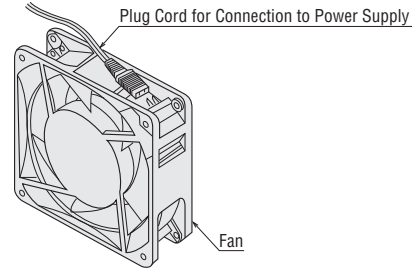
Plug Cords for Connection to Power Supply

This plug cord is for use with the **EMU** Series and **MU** Series fans, providing terminals for connection to the power supply.

Regulations & Standards: UL Standards, CSA Standards, Electrical Appliance and Material Safety Law



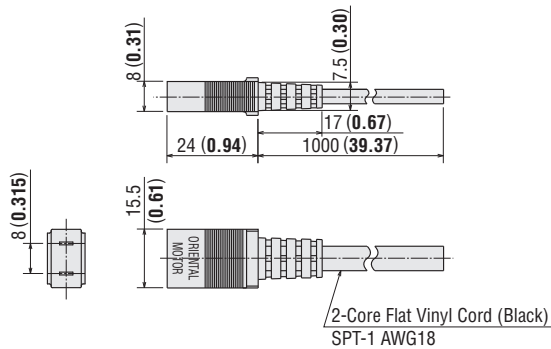
Connecting the Plug Cord



■ Dimensions Unit = mm (in.)

PCA2B.....1 m (3.3 ft.)

List Price \$6.00



PCA2B2.....2 m (6.6 ft.)

List Price \$8.00

