

*α*STEP

## AZ Series

### EtherCAT Drive Profile Compatible Driver

**AZ** Series AC Input drivers now include EtherCAT communications compatible with CiA 402 drive profile. For use with all Oriental Motor Series **AZ** motors and linear & rotary actuators equipped with the **AZ** Series.



AC Input

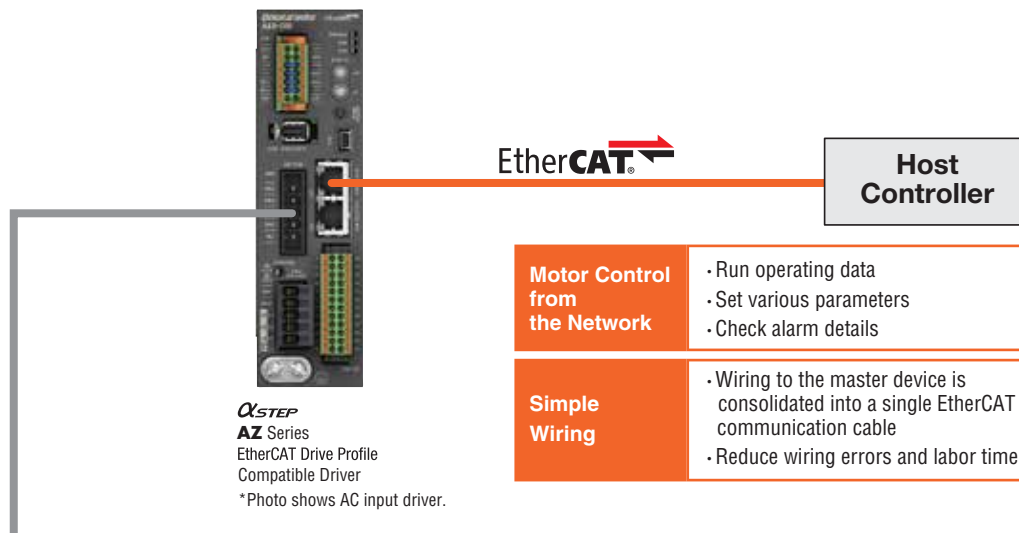


DC Input

EtherCAT

### AZ Series Family of Motion Control with EtherCAT

Easily control the **AZ** Series by directly connecting to the EtherCAT master device using a single EtherCAT communications cable. This allows for quick and simple wiring.



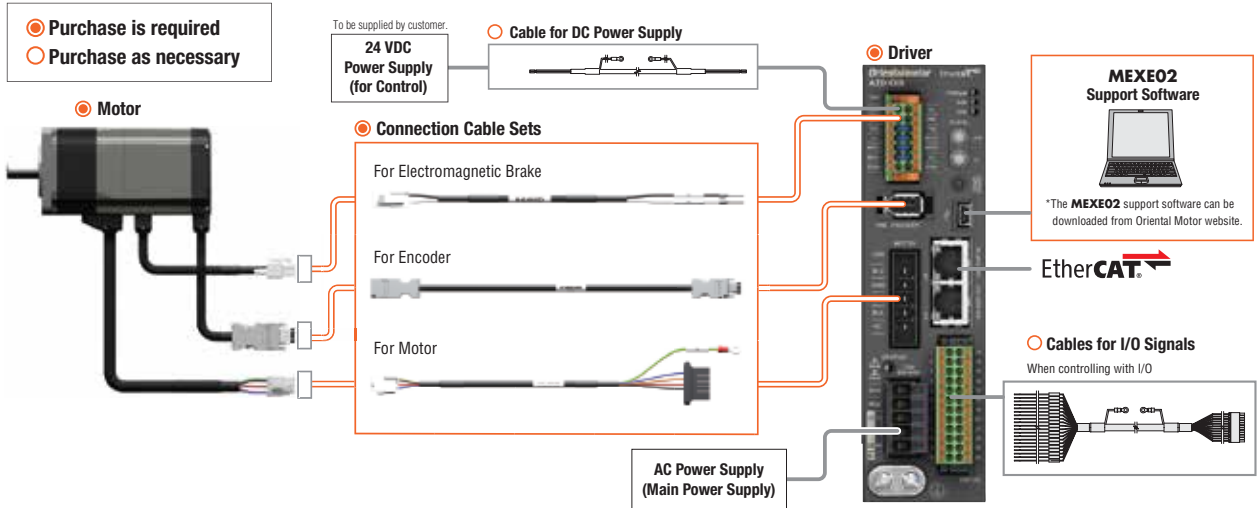
AZ Series Motors and Linear & Rotary Actuators			
*The Products shown below are representative examples.			
AC Input / DC Input			
 <b>AZ Series</b>	 Hollow Rotary Actuators <b>DGII Series</b> Equipped with <b>AZ Series</b>	 Electric Linear Slides <b>EAS Series</b> Equipped with <b>AZ Series</b>	 Electric Cylinders <b>EAC Series</b> Equipped with <b>AZ Series</b>
AC Input Only	DC Input Only		
 Rack and Pinion Systems <b>L Series</b> Equipped with <b>AZ Series</b>	 Compact Electric Cylinders <b>DR Series</b>	 Compact Electric Cylinders <b>DRS2 Series</b>	 Electric Gripper <b>EH Series</b>

Visit [www.orientalmotor.com](http://www.orientalmotor.com)

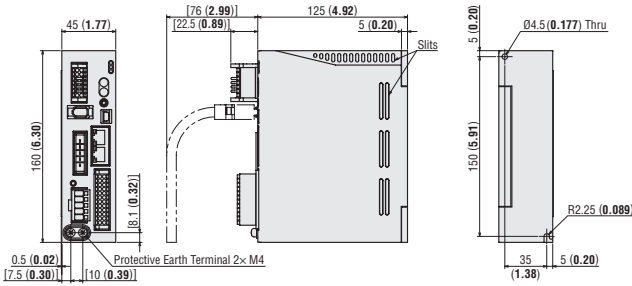
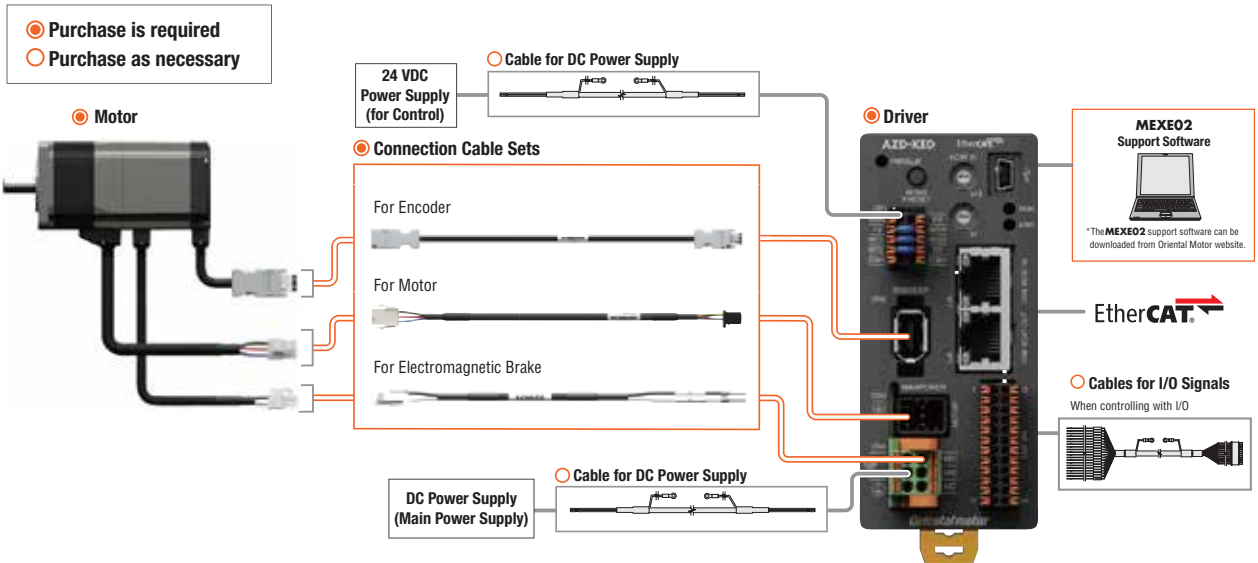
For further information (specifications, dimensions, speed-torque characteristics)

# System Configuration

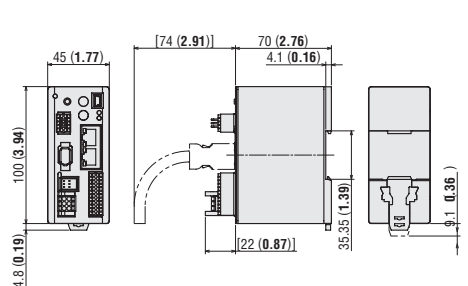
## AC Input



## DC Input



Power Supply Input	Product Name	List Price
Single-Phase 100-120 VAC	AZD-AED	\$656.00
Single-Phase/Three-Phase 200-240 VAC	AZD-CED	\$656.00



Power Supply Input	Product Name	List Price
24/48 VDC	AZD-KED	\$506.00

## ORIENTAL MOTOR U.S.A. CORP.

Technical Support Tel: 800-468-3982 7:30A.M. - 7:00P.M. C.S.T (M-F) E-mail: techsupport@orientalmotor.com

- 1,500 Products Next Day Shipping
- Free Sizing

- Over 10,000 Products Shipped within 7~9 Business Days
- Global Support