

## Brushless Motors

# BMU Series

# BLE2 Series

IP67 Watertight, Dust-Resistant  
Connector Type 200 W (1/4 HP)

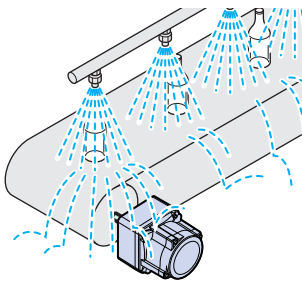


Watertight, dust-resistant brushless motors withstand wet and dusty environments and can be washed with water.

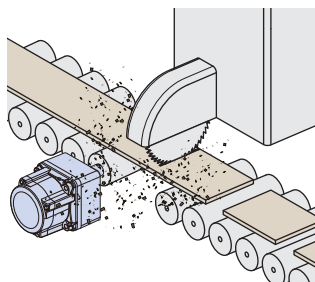
## IP67 Degree of Protection

**IP 6 7**

Usable after immersion in water under specified conditions  
Completely dust-proof structure



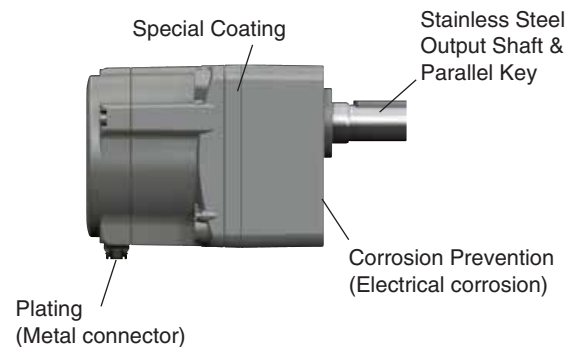
Can be washed with water while mounted on equipment



Can be used in dusty conditions

## Rust Resistant

- Improved Anti-Corrosion Properties
- Rust-Resistant Coating and Stainless Steel Output Shaft and Parallel Key



## High Efficiency

- Suited for Clean Environments
- Increased Environmental Resistance



No Cooling Fan Needed



Cooling Fan

## Easier Equipment Design

- 3 Cable Outlet Directions
- Locking, IP67 Connector



Cable outlet in output shaft direction  
"F Type"



Cable outlet opposite to output shaft direction  
"B Type"



Cable outlet in vertical direction  
"V Type"

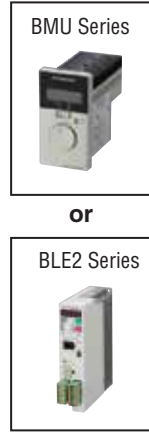
Visit [www.orientalmotor.com](http://www.orientalmotor.com)

For further information (specifications, dimensions, speed-torque characteristics)

## Motor

Type	Output [W]	Frame Size[mm]	Gear Ratio
Parallel Shaft Gearhead GFV Gear	200 (1/4 HP)	110	5, 10, 15, 20, 30, 50, 100

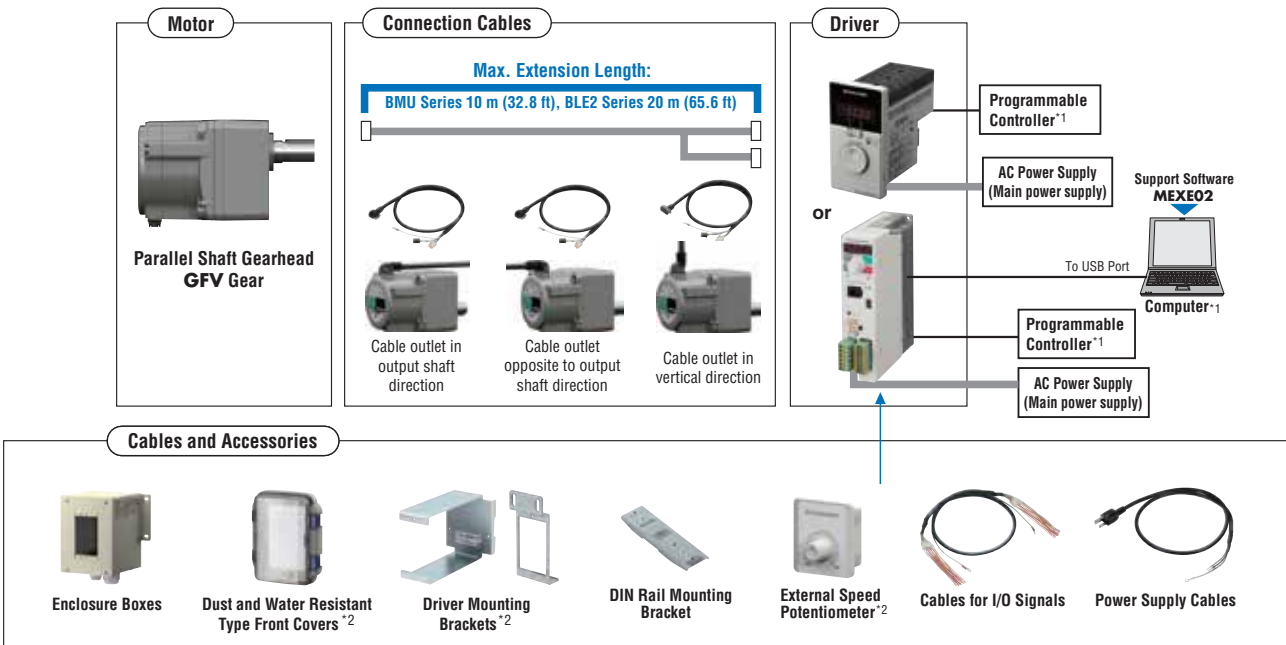
## Driver



## Connection Cable



# System Configuration



<sup>1</sup> Not supplied

<sup>2</sup> "Driver mounting bracket" and "dust and water resistant type front cover" cannot be attached to the driver together

Motor	BMU Driver	Connection Cable	Enclosure Box	Dust and Water Resistant Type Front Cover
Parallel Shaft Gearhead GFV Gear		[3 m (9.8 ft.)]		
BLM7200HW-10S	BMUD200-A	CC030KHBLV	PCD12A	PCF15-B
\$514.00	\$210.00	\$61.00	\$175.00	\$42.00

Motor	BLE2 Driver	Connection Cable	External Speed Potentiometer	DIN Rail Mounting Bracket
Parallel Shaft Gearhead GFV Gear		[3 m (9.8 ft.)]		
BLM7200HW-10S	BLE2D200-C	CC030KHBLV	PAVR2-20K	MADP02
\$514.00	\$288.00	\$61.00	\$23.00	\$29.00

## ORIENTAL MOTOR U.S.A. CORP.

Technical Support Tel: 800-468-3982 7:30A.M. - 7:00P.M. C.S.T (M-F) E-mail: techsupport@orientalmotor.com

- 1,500 Products Next Day Shipping
- Free Sizing

- Over 10,000 Products Shipped within 7~9 Business Days
- Global Support