

## $\alpha$ STEP AZ Series mini Driver

DC Input

Modular Automation Products

NEW

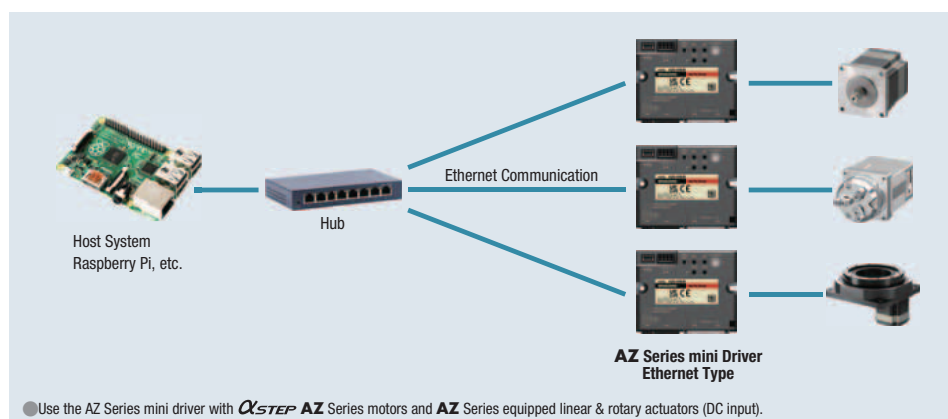
Ethernet Type

Protocol: Modbus (TCP, UDP)



- Direct connection to a single-board computer
- Use Python or other language on host system for quick startup
- Highly accurate positioning with Oriental Motor motors and linear & rotary actuators

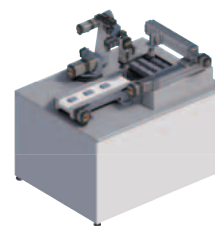
Can be Directly Connected to a Single-board Computer or PC without the Use of a PLC



Self-propelled Machines



Robots



Stationary Machines

Direct Motor Control with Python or Another Language for Fast Setup

### 1. Initial setting

Use of Oriental Motor Support Software  
**MEXE02** (free)

- IP address
- Netmask, etc.

### 2. Creation of program on host system

- Python, C, C++, and C# can be used

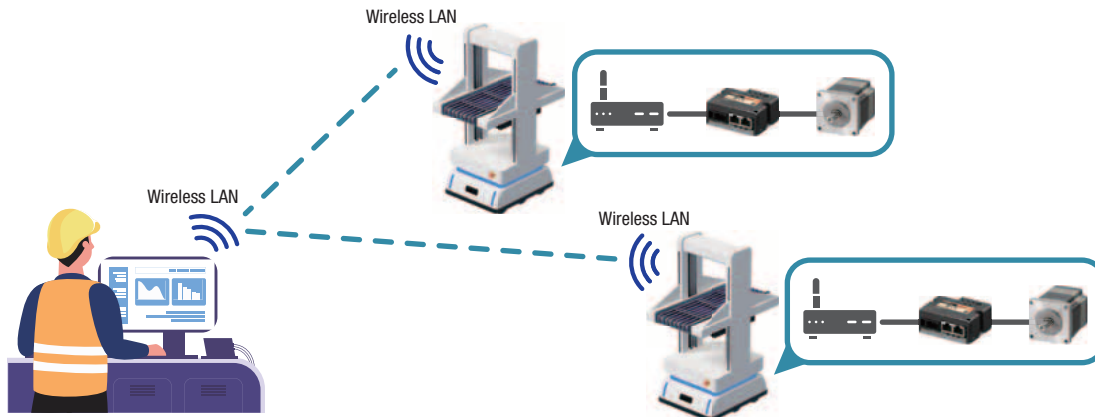
### 3. Operation with commands

- Sample programs in Python and C# are available.  
These sample programs can be downloaded for free from the Oriental Motor website.

## Build a Wireless System over Ethernet

Remote operations are possible over a wireless LAN for self-propelled equipment and stationary equipment. Wirelessly configure driver data and monitor with the Oriental Motor Support Software **MEXE02** (Ethernet version).

● The Support Software **MEXE02** (Ethernet version) can be downloaded for free from the Oriental Motor website.



## Prices, Specifications, Dimensions, and Compatible Products

### ● Prices

Product Name	
<b>AZD-KREN</b>	

### ● Specifications

#### ◇ Interface

Control Input	20~32 VDC 2 Points, Photocoupler
Field Network	Modbus TCP Modbus UDP

#### ◇ Degree of Protection: IP20

### ● Communication Specifications

Baud Rate	100 Mbps
Communication Mode	Full Duplex (Autonegotiation)
Cable Specifications	Shielded Twisted-Pair (STP) Cable Straight/Cross, Category 5e min. Recommended
Communication Connector	RJ45×2 (Shield-compatible)
Compatible Topologies	Star, Tree, Line

### ● Combined Products

#### ◇ Motor

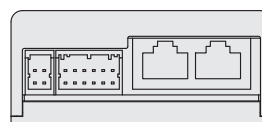
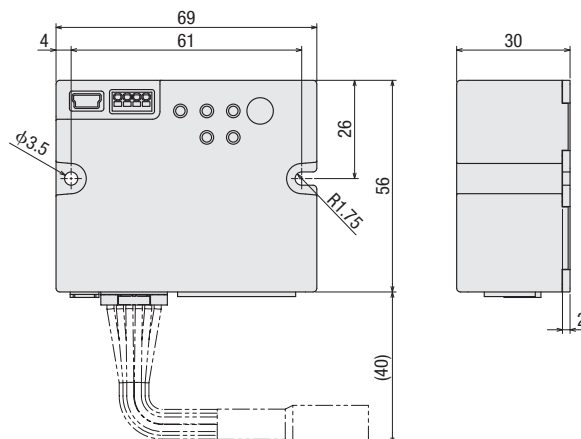
DC Power Supply Input **αSTEP AZ** Series

#### ◇ Linear & Rotary Actuators

Power Supply Input	Motor	Series Name
DC Input	<b>αSTEP AZ</b> Series Equipped	Electric Linear Slides <b>EAS</b> Series
		Electric Linear Slides <b>EZS</b> Series (Including products for cleanroom use)
		Electric Linear Cylinders <b>EAC</b> Series
		Compact Electric Linear Cylinders <b>DR</b> Series/ <b>DRS2</b> Series
		Rack-and-Pinion Systems <b>L</b> Series
		Electric Grippers <b>EH</b> Series
		Hollow Rotary Actuators <b>DG II</b> Series

### ● Dimensions (Unit: mm)

Mass 110 g



- Applicable Connector (Molex)  
Power Connector (CN1)  
Connector Housing: 1-1827864-2 (TE Connectivity)  
Contact: 1827589-2 (TE Connectivity)

Visit [www.orientalmotor.com](http://www.orientalmotor.com)

For further information (specifications, dimensions, speed-torque characteristics)