

1.10 in. (28 mm)

Step Angle 1.8°

PK Series High Torque Type



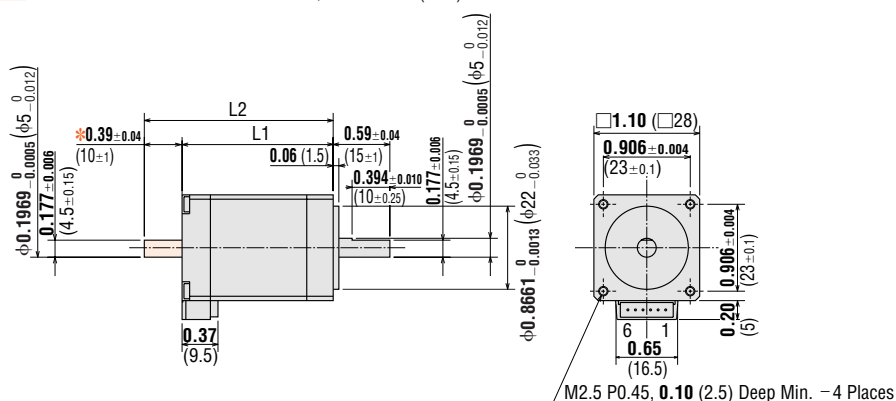
Specifications

Model	Connection Type	Holding Torque		Current per Phase A/phase	Voltage VDC	Resistance per Phase Ω/phase	Inductance mH/phase	Rotor Inertia J		Lead Wires (Pins)
		oz-in	N-m					oz-in ²	kg·m ²	
PK223PA	Bipolar (Series)	9.2	0.065	0.67	3.8	5.6	4	0.049	9×10 ⁻⁷	6
PK223PB	Unipolar	7.1	0.05	0.95	2.66	2.8	1			
PK224PA	Bipolar (Series)	13.7	0.097	0.67	4.6	6.8	4.8	0.066	12×10 ⁻⁷	6
PK224PB	Unipolar	10.6	0.075	0.95	3.2	3.4	1.2			
PK225PA	Bipolar (Series)	15.6	0.11	0.67	6.2	9.2	5.6	0.098	18×10 ⁻⁷	6
PK225PB	Unipolar	12.7	0.09	0.95	4.4	4.6	1.4			

How to Read Specifications → Page C-9

Motor Wiring Diagrams → Page C-189

Dimensions Scale 1/2, Unit = inch (mm)



- * The length of machining on double shaft model is 0.394 ± 0.010 (10±0.25).
- These dimensions are for double shaft models. For single shaft models, ignore the shaded area.

Applicable Connector

The following housing and contacts must be purchased separately.

Housing: 51065-0600 (MOLEX)

Contact: 50212-8100 (MOLEX)

Connector Assembly Tool: 57176-5000 (MOLEX)

Model	L1 inch (mm)	L2 inch (mm)	Weight lb. (kg)	DXF
PK223PA	1.26 (32)	—	0.24 (0.11)	B326
PK223PB		1.65 (42)		
PK224PA	1.57 (40)	—	0.31 (0.14)	B327
PK224PB		1.97 (50)		
PK225PA	2.03 (51.5)	—	0.44 (0.2)	B328
PK225PB		2.42 (61.5)		

□ 1.10 in. (□ 28 mm)

PK Series SH Geared Type



Specifications

Motor Specifications

Model	Connection Type	Current per Phase	Voltage	Resistance per Phase	Inductance	Rotor Inertia J		Lead Wires (Pins)
						oz-in ²	kg-m ²	
Single Shaft	Bipolar (Series)	A/phase	VDC	Ω/phase	mH/phase	oz-in ²	kg-m ²	6
Double Shaft								
PK223PA-SG □		0.67	3.8	5.6	4	0.049	9×10 ⁻⁷	6
PK223PB-SG □	Unipolar	0.95	2.66	2.8	1			

How to Read Specifications → Page C-9

Motor Wiring Diagrams → Page C-189

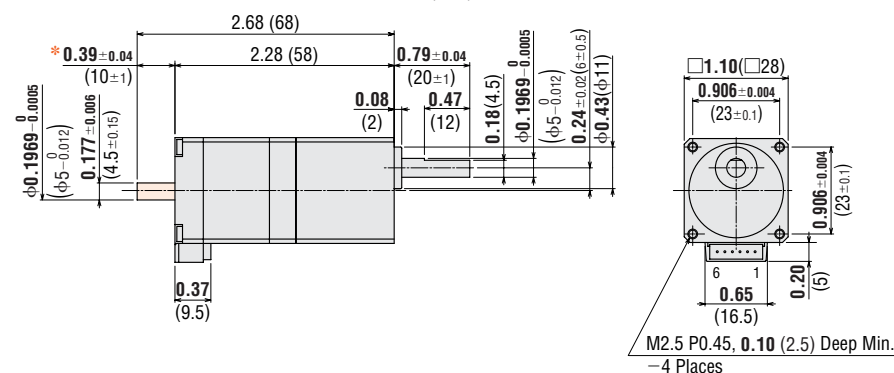
• Enter the gear ratio in the box (□) within the model number.

Gearmotor Specifications

Model	Gear Ratio	Holding Torque*		Step Angle	Permissible Speed
		oz-in	N-m		
Single Shaft	7.2:1	42	0.3	0.25°	250
Double Shaft					
PK223PA-SG7.2	9:1	42	0.3	0.2°	200
PK223PB-SG7.2					
PK223PA-SG9	10:1	42	0.3	0.18°	180
PK223PB-SG9					
PK223PA-SG10	18:1	56	0.4	0.1°	100
PK223PB-SG10					
PK223PA-SG18	36:1	56	0.4	0.05°	50
PK223PB-SG18					
PK223PA-SG36					
PK223PB-SG36					

* Holding torque is the same regardless of the connection type, due to the permissible torque limit of the gearhead.

Dimensions Scale 1/2, Unit = inch (mm)



* The length of machining on double shaft model is 0.394±0.010 (10±0.25).

Mounting Screws (included)

M2.5 P0.45 0.31 in. (8 mm) length: 4 pieces

• These dimensions are for double shaft models. For single shaft models, ignore the shaded area.

Applicable Connector

The following housing and contacts must be purchased separately.

Housing: 51065-0600 (MOLEX)

Contact: 50212-8100 (MOLEX)

Connector Assembly Tool: 57176-5000 (MOLEX)

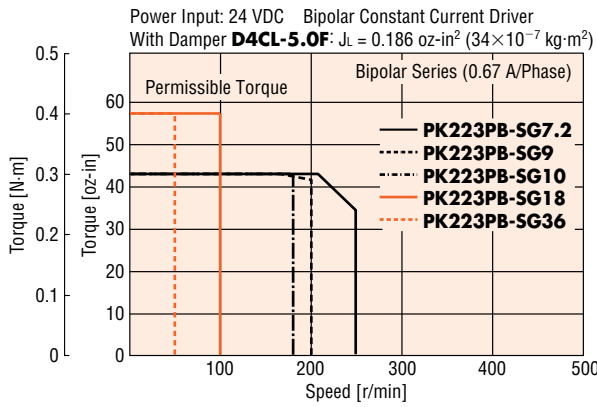
Model	Weight lb. (kg)	DXF
PK223PA-SG □	0.35 (0.16)	B335
PK223PB-SG □		

• Enter the gear ratio in the box (□) within the model number.

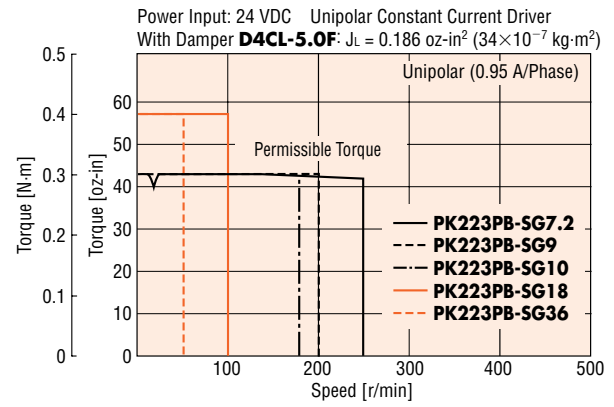
Speed-Torque Characteristics

How to Read Speed-Torque Characteristics → Page C-10

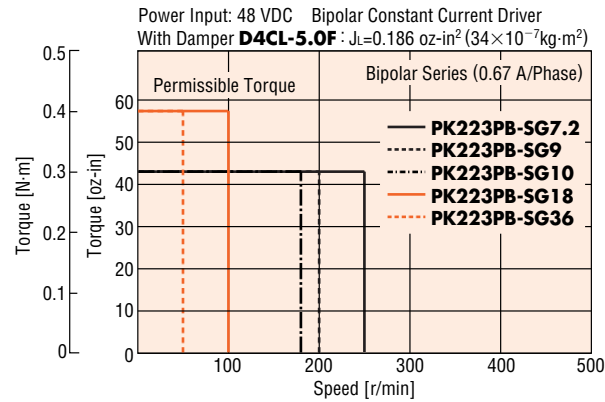
● PK223PB-SG □ Bipolar (Series) 24 VDC



● PK223PB-SG □ Unipolar



● PK223PB-SG □ Bipolar (Series) 48 VDC



Motor Cables (Sold separately)

These cables make it easy to connect the high torque type motor. The crimped connectors eliminate the need for assembly. There are two cable lengths to choose from.

Model	Cable Length		Number of Leads	Lead Specifications	
	feet	(m)		UL Style No.	AWG No.
LC2U06A	2	(0.6)	6 Leads	3265	24
LC2U10A	3.3	(1)			



Introduction

AS

AS PLUS

ASC

ASC

ASC

ASC

ASC

ASC

ASC

ASC

ASC

ASC

ASC

ASC

ASC

ASC

ASC

ASC

ASC

ASC

ASC

ASC

ASC

ASC

ASC

ASC

ASC

ASC

ASC

ASC

ASC

ASC

ASC

ASC

ASC

ASC

ASC

ASC

ASC

ASC

Introduction

AS

AS PLUS

ASC

ASC

ASC

ASC

ASC

ASC

ASC

ASC

ASC

ASC

ASC

ASC

ASC

ASC

ASC

ASC

ASC

ASC

ASC

ASC

ASC

ASC

ASC

ASC

ASC

ASC

ASC

ASC

ASC

ASC

ASC

ASC

ASC

ASC

ASC

ASC

ASC

ASC

Introduction

AS

AS PLUS

ASC

ASC

ASC

ASC

ASC

ASC

ASC

ASC

ASC

ASC

ASC

ASC

ASC

ASC

ASC

ASC

ASC

ASC

ASC

ASC

ASC

ASC

ASC

ASC

ASC

ASC

ASC

ASC

ASC

ASC

ASC

ASC

ASC

ASC

ASC

ASC

ASC

ASC