

MB Series

AC Centrifugal Blowers

Impeller Diameter
6.30 in. dia. (ϕ 160 mm)



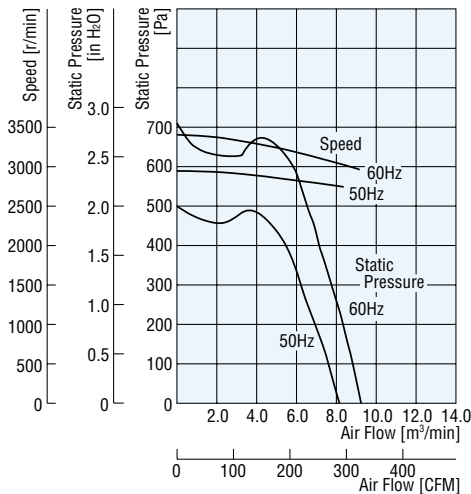
Materials
 Motor Case: Die Cast Aluminum
 Casing: Die Cast Aluminum
 Impeller: Aluminum

Specifications

| Model | Voltage V | Frequency Hz | Current A | Input Power W | Speed r/min | Max. Air Flow | | Max. Static Pressure | | Noise level dB(A) | Capacitor μ F |
|-----------------|------------------|-----------------|--------------|------------------|----------------|---------------|---------------------|----------------------|-----|----------------------|----------------------|
| | | | | | | CFM | m ³ /min | in H ₂ O | Pa | | |
| MB1665-B | Single-Phase 100 | 50 | 2.6 | 260 | 2750 | 283 | 8.0 | 1.97 | 490 | 76 | 40 |
| | Single-Phase 100 | 60 | 3.7 | 360 | 3100 | 318 | 9.0 | 2.76 | 686 | 80 | |
| | Single-Phase 110 | 60 | 3.7 | 380 | 3200 | 318 | 9.0 | 2.76 | 686 | 80 | |
| | Single-Phase 115 | 60 | 3.7 | 400 | 3200 | 318 | 9.0 | 2.76 | 686 | 80 | |
| MB1665-D | Single-Phase 200 | 50 | 1.3 | 245 | 2700 | 272 | 7.7 | 1.97 | 490 | 75 | 8.0 |
| | Single-Phase 200 | 60 | 1.8 | 340 | 3000 | 297 | 8.4 | 2.76 | 686 | 76 | |
| | Single-Phase 220 | 60 | 1.8 | 360 | 3150 | 307 | 8.7 | 2.76 | 686 | 77 | |
| | Single-Phase 230 | 50 | 1.3 | 270 | 2750 | 283 | 8.0 | 1.97 | 490 | 75 | |
| | Single-Phase 230 | 60 | 1.8 | 370 | 3150 | 314 | 8.9 | 2.76 | 686 | 77 | |
| | Single-Phase 230 | 60 | 1.8 | 370 | 3150 | 314 | 8.9 | 2.76 | 686 | 77 | |
| MB1665-T | Three-Phase 200 | 50 | 1.8 | 280 | 2750 | 283 | 8.0 | 1.97 | 490 | 76 | — |
| | Three-Phase 200 | 60 | 1.8 | 360 | 3100 | 318 | 9.0 | 2.76 | 686 | 80 | |
| | Three-Phase 230 | 60 | 1.8 | 400 | 3200 | 318 | 9.0 | 2.76 | 686 | 80 | |

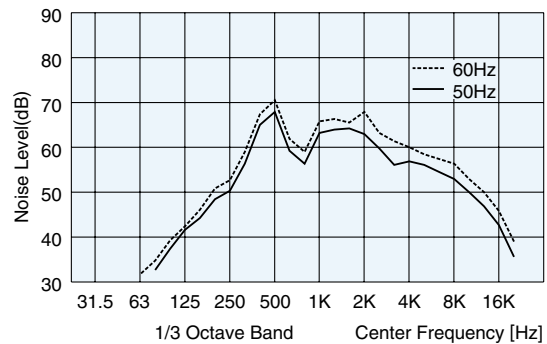
- Values for maximum air flow and maximum static pressure are measured by the double-chamber method.
- Noise level is measured in the A range, at a distance of 3.3 feet from the fan intake side.
- A thermal protector is installed. If the fan heats up, the thermal protector goes into operation and the fan stops. Once the fan temperature drops, it will automatically restart. Perform inspection work after turning off the power source.
- Fans bearing the CE mark should only be used with class I equipment. When installing into the equipment, either ground the fan or ensure that there is no contact with bare hands. Standards specifications are listed on page D-2.
- See page D-4 for VDE certified products.

Air Flow — Static Pressure Characteristics



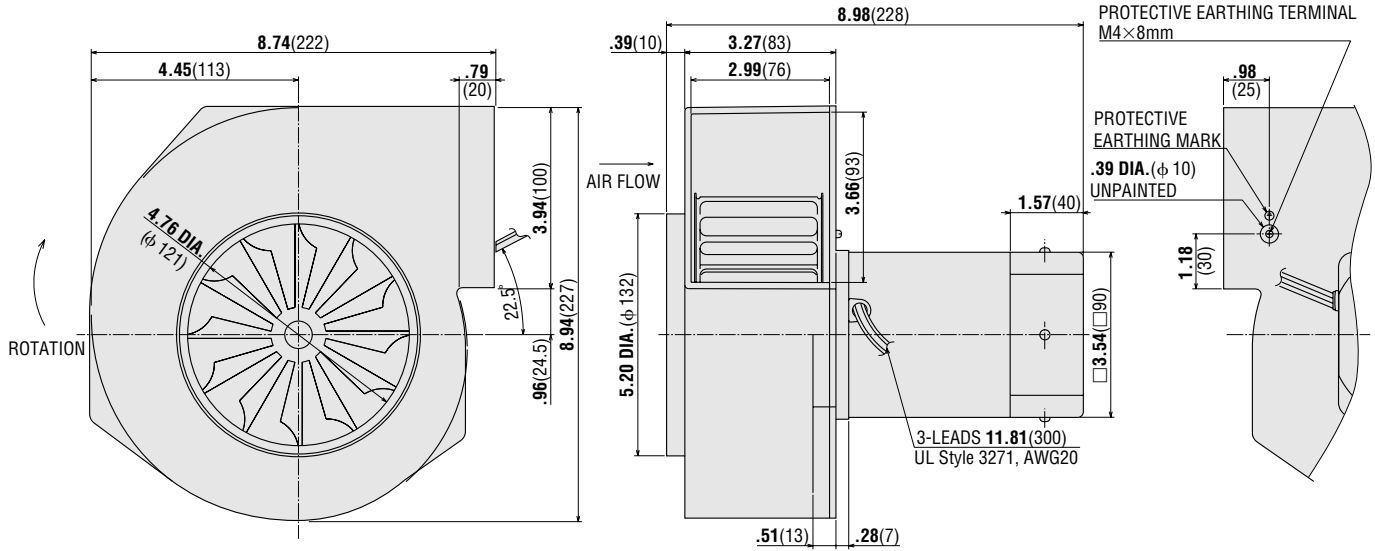
Audible Noise Frequency Analysis

Measure at a distance of 3.3 feet from the fan intake side

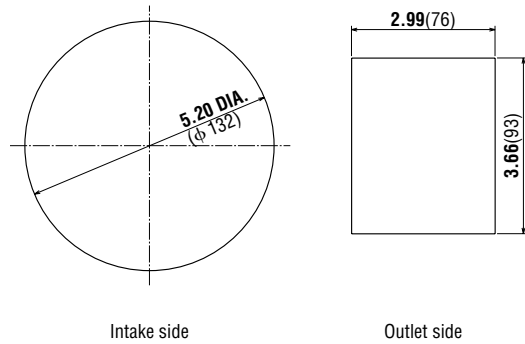


■ Dimensions Scale 1/4, Unit = inch (mm)

● Weight (Mass): 11 lb. (5kg)

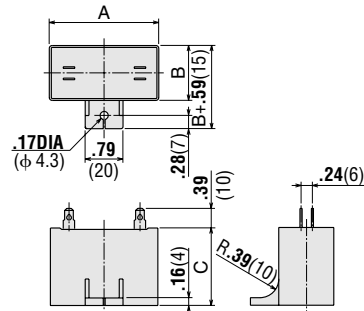


■ Panel Cut-Out Scale 1/4, Unit = inch (mm)



● Capacitor

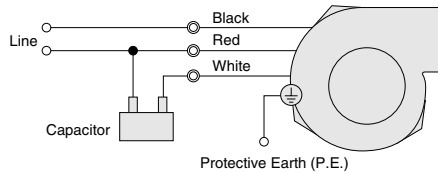
(Capacitor and capacitor cap are provided with the blower.)



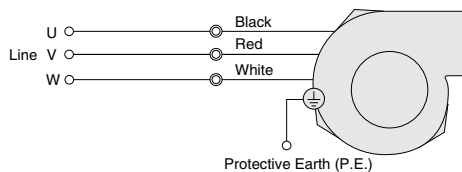
| Model | Capacitor | Dimensions inch (mm) | | | Weight (Mass) oz. (g) |
|-----------------|------------|----------------------|-----------|-----------|--------------------------|
| | | A | B | C | |
| MB1665-B | CH400CFAUL | 2.28 (58) | 1.61 (41) | 2.28 (58) | 6.7 (190) |
| MB1665-D | CH80BFAUL | 2.28 (58) | 1.14 (29) | 1.61 (41) | 5.3 (150) |

■ Wiring Diagrams

● MB1665-B, D

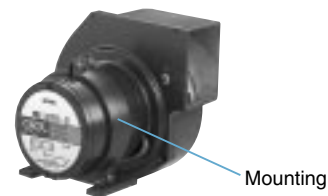


● MB1665-T



■ Accessories (Sold separately)

| Item | Model | Page |
|----------|--------------|-------|
| Mounting | PASSA | C-108 |



MB Series AC Centrifugal Blowers

Impeller Diameter
4.72 in. dia. (ϕ 120 mm)



Materials

Motor Case: Die Cast Aluminum
Casing: Die Cast Aluminum
Impeller: Aluminum

Specifications

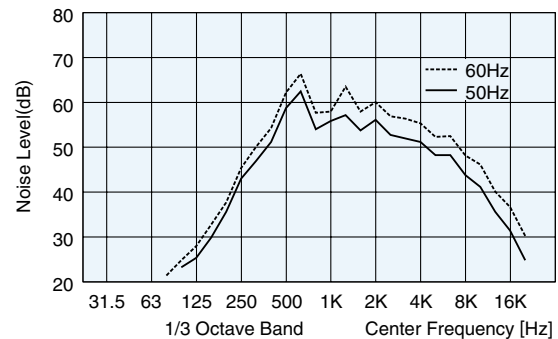
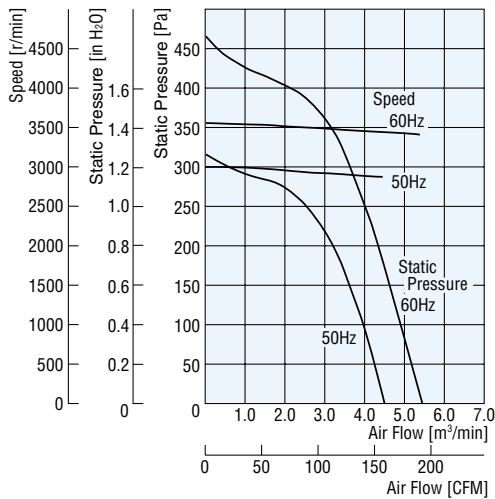
| Model | Voltage V | Frequency Hz | Current A | Input Power W | Speed r/min | Max. Air Flow | | Max. Static Pressure | | Noise level dB(A) | Capacitor μ F |
|-----------------|------------------|-----------------|--------------|------------------|----------------|---------------|---------------------|----------------------|-----|----------------------|----------------------|
| | | | | | | CFM | m ³ /min | in H ₂ O | Pa | | |
| MB1255-B | Single-Phase 100 | 50 | 1.3 | 110 | 2850 | 155 | 4.4 | 1.24 | 309 | 67 | 10 |
| | Single-Phase 100 | 60 | 1.6 | 150 | 3300 | 180 | 5.1 | 1.77 | 441 | 71 | |
| | Single-Phase 110 | 60 | 1.6 | 150 | 3300 | 180 | 5.1 | 1.77 | 441 | 71 | |
| | Single-Phase 115 | 60 | 1.6 | 150 | 3300 | 180 | 5.1 | 1.77 | 441 | 72 | |
| MB1255-D | Single-Phase 200 | 50 | 0.6 | 110 | 2850 | 155 | 4.4 | 1.26 | 314 | 67 | 2.0 |
| | Single-Phase 200 | 60 | 0.8 | 145 | 3200 | 173 | 4.9 | 1.81 | 451 | 69 | |
| | Single-Phase 220 | 60 | 0.8 | 145 | 3300 | 180 | 5.1 | 1.81 | 451 | 71 | |
| | Single-Phase 230 | 50 | 0.6 | 110 | 2900 | 159 | 4.5 | 1.26 | 314 | 67 | |
| | Single-Phase 230 | 60 | 0.8 | 150 | 3300 | 184 | 5.2 | 1.81 | 451 | 71 | |

- Values for maximum air flow and maximum static pressure are measured by the double-chamber method.
- Noise level is measured in the A range, at a distance of 3.3 feet from the fan intake side.
- A thermal protector is installed. If the fan heats up, the thermal protector goes into operation and the fan stops. Once the fan temperature drops, it will automatically restart. Perform inspection work after turning off the power source.
- Fans bearing the CE mark should only be used with class I equipment. When installing into the equipment, either ground the fan or ensure that there is no contact with bare hands. For protection, use the optional finger guard. Standards specifications are listed on page D-2.
- See page D-4 for VDE certified products.

Air Flow — Static Pressure Characteristics

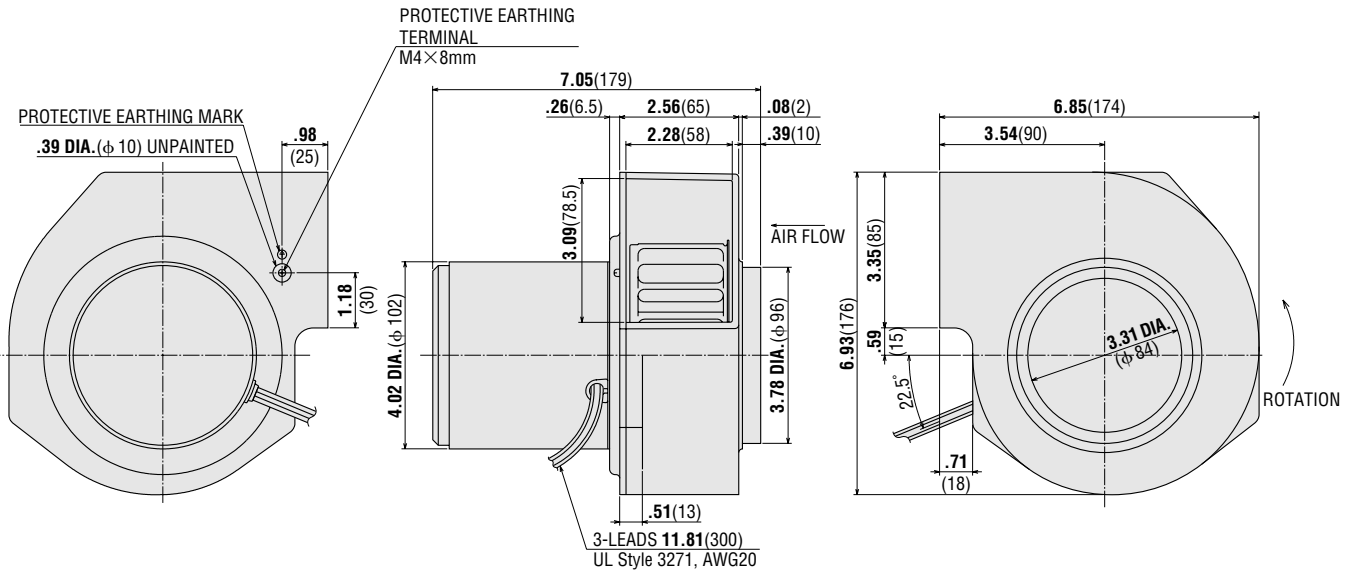
Audible Noise Frequency Analysis

Measure at a distance of 3.3 feet from the fan intake side



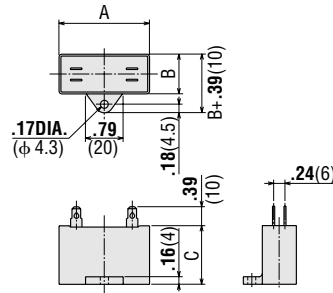
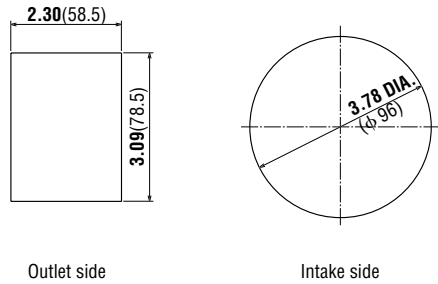
■ Dimensions Scale 1/4, Unit = inch (mm)

● Weight (Mass): 8.8 lb. (4kg)



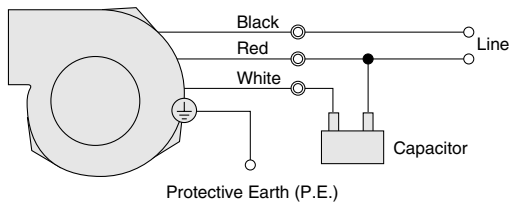
■ Panel Cut-Out Scale 1/4, Unit = inch (mm)

● Capacitor (Capacitor and capacitor cap are provided with the blower.)



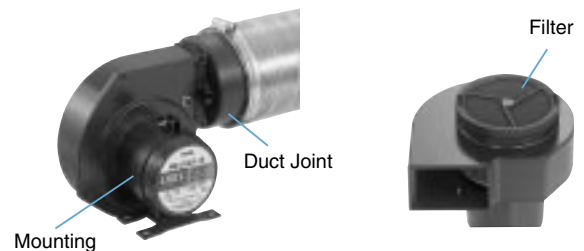
| Model | Capacitor | Dimensions inch (mm) | | | Weight (Mass) oz. (g) |
|-----------------|------------|----------------------|------------|-------------|--------------------------|
| | | A | B | C | |
| MB1255-B | CH100CFAUL | 1.89 (48) | .89 (22.5) | 1.24 (31.5) | 1.4 (40) |
| MB1255-D | CH20BFAUL | 1.89 (48) | .75 (19) | 1.14 (29) | 1.4 (40) |

■ Wiring Diagram



■ Accessories (Sold separately)

| Item | Model | Page |
|--------------|--------------|-------|
| Finger Guard | FGB12 | C-100 |
| Filter | FLB12 | C-103 |
| Mounting | PAS6A | C-108 |
| Duct Joint | FD12 | C-109 |



* A finger guard can be installed in place of the filter.

MB Series AC Centrifugal Blowers

Impeller Diameter
3.94 in. dia. ($\phi 100$ mm)



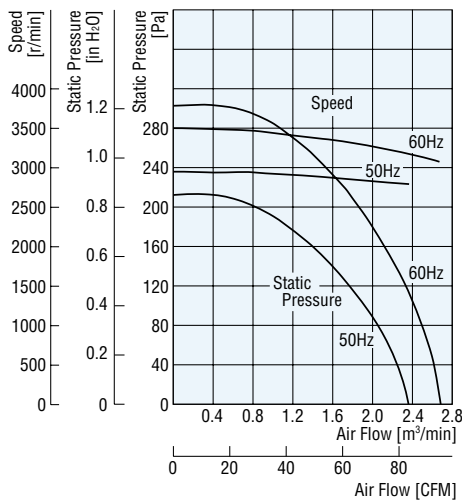
Materials
 Motor Case: Die Cast Aluminum
 Casing: Die Cast Aluminum
 Impeller: Aluminum

Specifications

| Model | Voltage V | Frequency Hz | Current A | Input Power W | Speed r/min | Max. Air Flow | | Max. Static Pressure | | Noise level dB(A) | Capacitor μ F |
|-----------------|------------------|-----------------|--------------|------------------|----------------|---------------|---------------------|----------------------|-----|----------------------|----------------------|
| | | | | | | CFM | m ³ /min | in H ₂ O | Pa | | |
| MB1040-B | Single-Phase 100 | 50 | 0.50 | 45 | 2750 | 81.2 | 2.3 | 0.83 | 206 | 60 | 3.0 |
| | Single-Phase 100 | 60 | 0.55 | 55 | 3050 | 91.8 | 2.6 | 1.14 | 284 | 63 | |
| | Single-Phase 110 | 60 | 0.55 | 55 | 3200 | 91.8 | 2.6 | 1.14 | 284 | 64 | |
| | Single-Phase 115 | 60 | 0.55 | 55 | 3200 | 91.8 | 2.6 | 1.14 | 284 | 64 | |
| MB1040-D | Single-Phase 200 | 50 | 0.25 | 40 | 2750 | 81.2 | 2.3 | 0.83 | 206 | 61 | 1.2 |
| | Single-Phase 200 | 60 | 0.30 | 50 | 3100 | 91.8 | 2.6 | 1.22 | 304 | 64 | |
| | Single-Phase 220 | 60 | 0.30 | 55 | 3200 | 95.3 | 2.7 | 1.22 | 304 | 65 | |
| | Single-Phase 230 | 50 | 0.30 | 50 | 2750 | 84.8 | 2.4 | 0.83 | 206 | 61 | |
| | Single-Phase 230 | 60 | 0.30 | 55 | 3250 | 95.3 | 2.7 | 1.22 | 304 | 65 | |

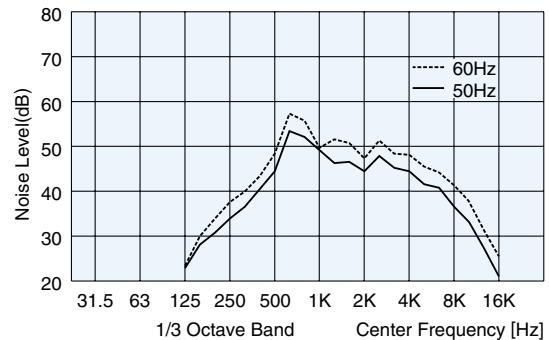
- Values for maximum air flow and maximum static pressure are measured by the double-chamber method.
- Noise level is measured in the A range, at a distance of 3.3 feet from the fan intake side.
- A thermal protector is installed. If the fan heats up, the thermal protector goes into operation and the fan stops. Once the fan temperature drops, it will automatically restart. Perform inspection work after turning off the power source.
- Fans bearing the CE mark should only be used with class I equipment. When installing into the equipment, either ground the fan or ensure that there is no contact with bare hands. For protection, use the optional finger guard. Standards specifications are listed on page D-2.
- See page D-4 for VDE certified products.

Air Flow — Static Pressure Characteristics



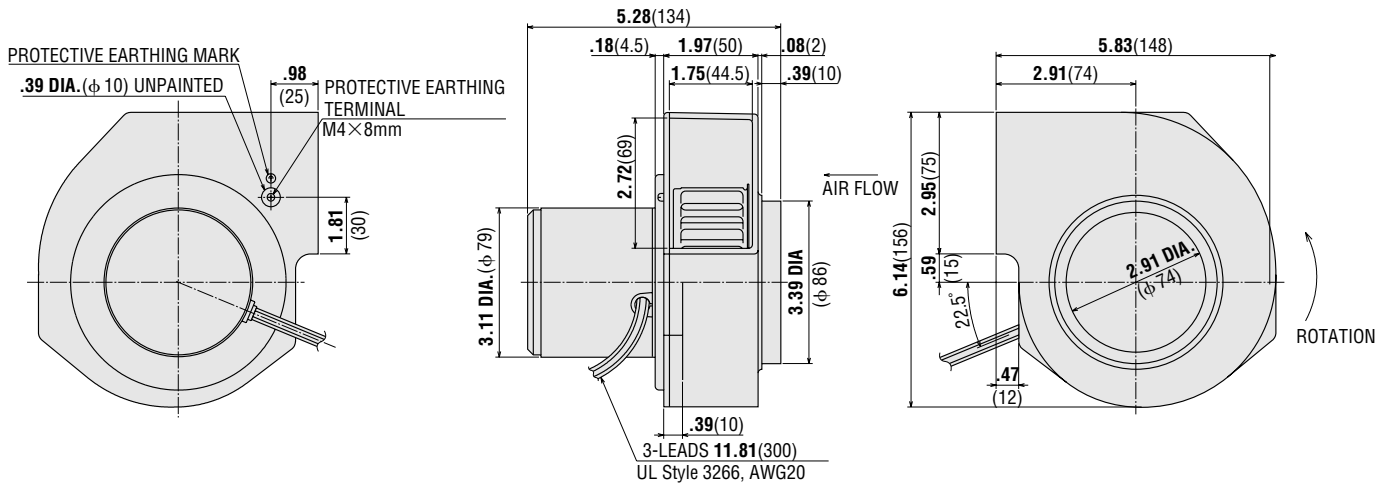
Audible Noise Frequency Analysis

Measure at a distance of 3.3 feet from the fan intake side



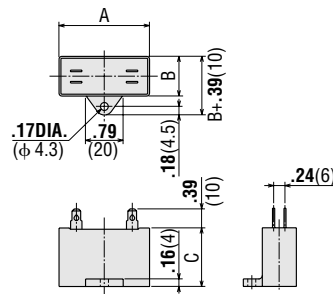
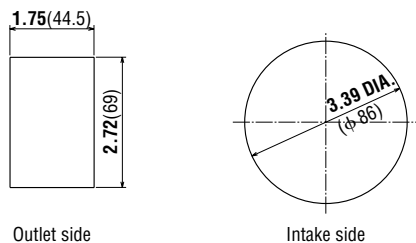
■ Dimensions Scale 1/4, Unit = inch (mm)

● Weight (Mass): 4.4 lb. (2kg)



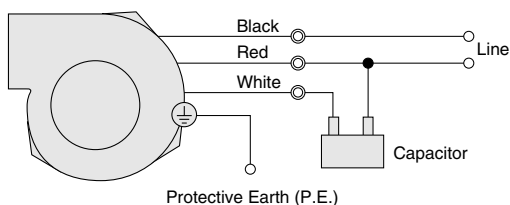
■ Panel Cut-Out Scale 1/4, Unit = inch (mm)

● Capacitor (Capacitor and capacitor cap are provided with the blower.)



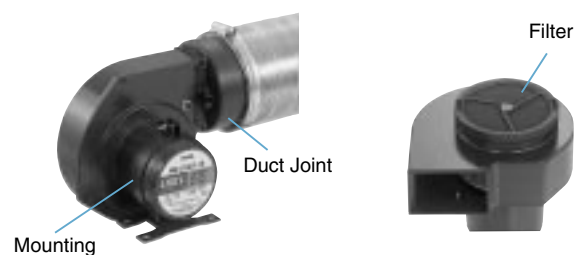
| Model | Capacitor | Dimensions inch (mm) | | | Weight (Mass) oz. (g) |
|-----------------|-----------|----------------------|----------|-----------|--------------------------|
| | | A | B | C | |
| MB1040-B | CH30BFAUL | 2.28 (58) | .83 (21) | 1.22 (31) | 1.8 (50) |
| MB1040-D | CH12BFAUL | 1.46 (37) | .71 (18) | 1.06 (27) | 1.1 (30) |

■ Wiring Diagram



■ Accessories (Sold separately)

| Item | Model | Page |
|--------------|--------------|-------|
| Finger Guard | FGB10 | C-100 |
| Filter | FLB10 | C-103 |
| Mounting | PAS4B | C-108 |
| Duct Joint | FD10 | C-109 |



* A finger guard can be installed in place of the filter.

MB Series

AC Centrifugal Blowers

Impeller Diameter
3.15 in. dia. (ϕ 80 mm)



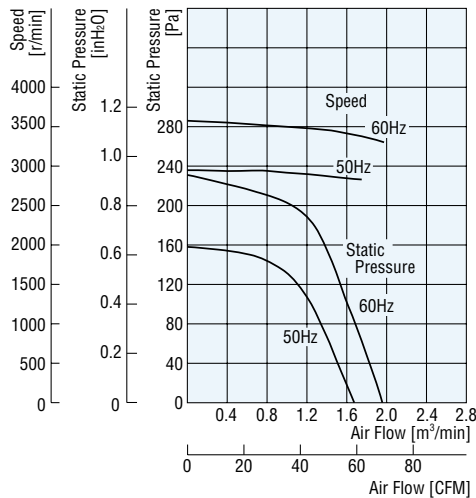
Materials
 Motor Case: Die Cast Aluminum
 Casing: Die Cast Aluminum
 Impeller: Aluminum

Specifications

| Model | Voltage V | Frequency Hz | Current A | Input Power W | Speed r/min | Max. Air Flow | | Max. Static Pressure | | Noise level dB(A) | Capacitor μ F |
|----------------|------------------|-----------------|--------------|------------------|----------------|---------------|---------------------|----------------------|-----|----------------------|----------------------|
| | | | | | | CFM | m ³ /min | in H ₂ O | Pa | | |
| MB840-B | Single-Phase 100 | 50 | 0.29 | 28 | 2800 | 56.5 | 1.6 | 0.61 | 152 | 55 | 1.5 |
| | Single-Phase 100 | 60 | 0.37 | 32 | 3150 | 63.6 | 1.8 | 0.89 | 221 | 58 | |
| | Single-Phase 110 | 60 | 0.37 | 35 | 3300 | 63.6 | 1.8 | 0.91 | 226 | 59 | |
| | Single-Phase 115 | 60 | 0.37 | 36 | 3350 | 63.6 | 1.8 | 0.91 | 226 | 59 | |
| MB840-D | Single-Phase 200 | 50 | 0.14 | 28 | 2800 | 56.5 | 1.6 | 0.61 | 152 | 55 | 2.5 |
| | Single-Phase 200 | 60 | 0.18 | 32 | 3200 | 63.6 | 1.8 | 0.89 | 221 | 58 | |
| | Single-Phase 220 | 60 | 0.18 | 35 | 3350 | 63.6 | 1.8 | 0.91 | 226 | 59 | |
| | Single-Phase 230 | 50 | 0.15 | 35 | 2850 | 56.5 | 1.6 | 0.63 | 157 | 55 | |
| | Single-Phase 230 | 60 | 0.18 | 36 | 3350 | 63.6 | 1.8 | 0.91 | 226 | 59 | |

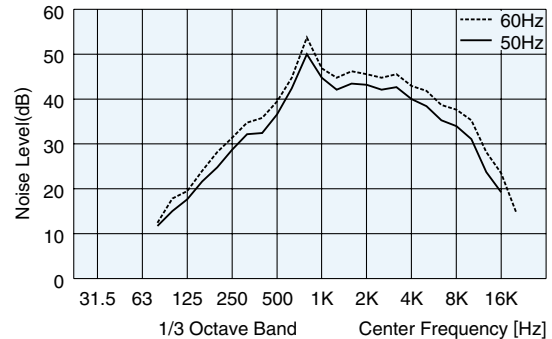
- Values for maximum air flow and maximum static pressure are measured by the double-chamber method.
- Noise level is measured in the A range, at a distance of 3.3 feet from the fan intake side.
- A thermal protector is installed. If the fan heats up, the thermal protector goes into operation and the fan stops. Once the fan temperature drops, it will automatically restart. Perform inspection work after turning off the power source.
- The **MB840** is protected with impedance protection that prevents the temperature from rising to the temperature at which the thermal protector is triggered even if the fan is locked due to the usage voltage or ambient temperature.
- Fans bearing the CE mark should only be used with class I equipment. When installing into the equipment, either ground the fan or ensure that there is no contact with bare hands. For protection, use the optional finger guard. Standards specifications are listed on page D-2.
- See page D-4 for VDE certified products.

Air Flow - Static Pressure Characteristics



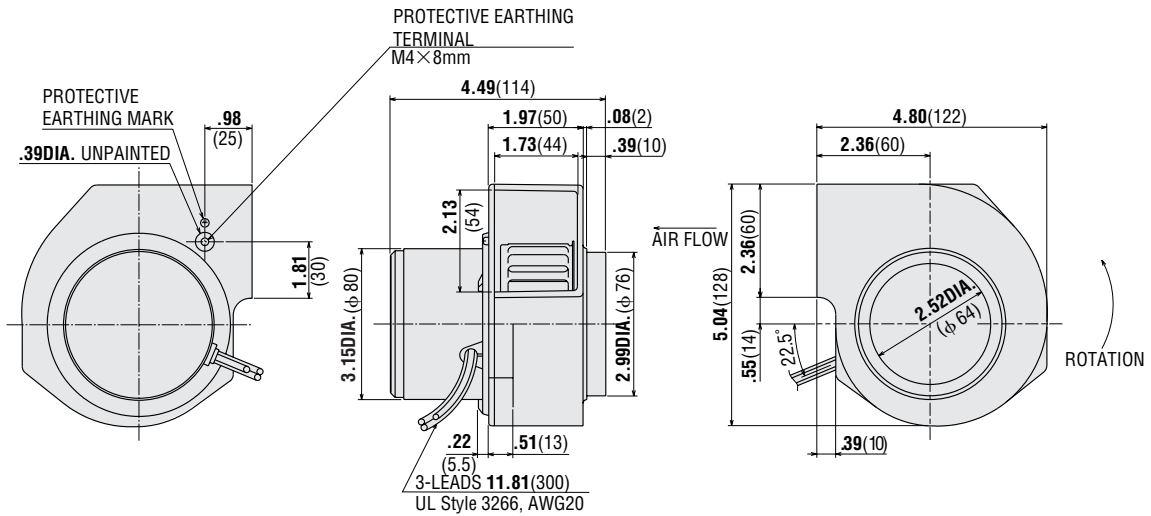
Audible Noise Frequency Analysis

Measure at a distance of 3.3 feet from the fan intake side



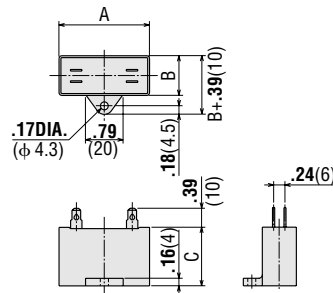
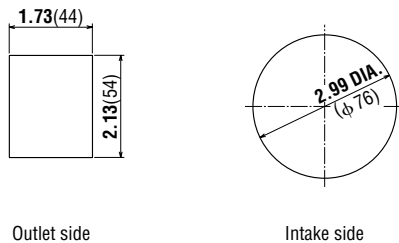
■ Dimensions Scale 1/4, Unit = inch (mm)

● Weight (Mass): 2.9 lb. (1.3kg)



■ Panel Cut-Out Scale 1/4, Unit = inch (mm)

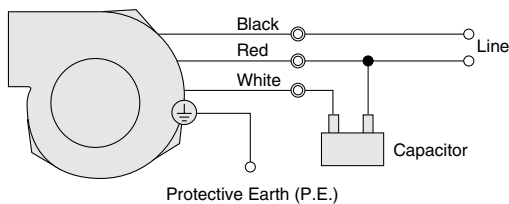
● Capacitor (Capacitor and capacitor cap are provided with the blower.)



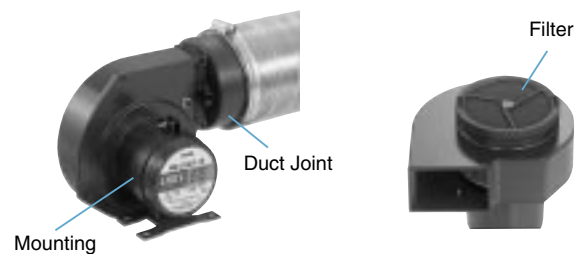
| Model | Capacitor | Dimensions inch (mm) | | | Weight (Mass) oz. (g) |
|----------------|-----------|----------------------|------------|------------|--------------------------|
| | | A | B | C | |
| MB840-B | CH15FAUL | 1.22 (31) | .57 (14.5) | .93 (23.5) | 1.2 (35) |
| MB840-D | CH25FAUL | 1.22 (31) | .67 (17) | 1.06 (27) | 1.4 (40) |

■ Wiring Diagram

■ Accessories (Sold separately)



| Item | Model | Page |
|--------------|--------------|-------|
| Finger Guard | FGB8 | C-100 |
| Filter | FLB8 | C-103 |
| Mounting | PAS4B | C-108 |
| Duct Joint | FD8 | C-109 |



* A finger guard can be installed in place of the filter.

MB Series AC Centrifugal Blowers

Impeller Diameter
2.36 in. dia. (φ60 mm)



Materials

Motor Case: Die Cast Aluminum
Casing: Die Cast Aluminum
Impeller: Aluminum

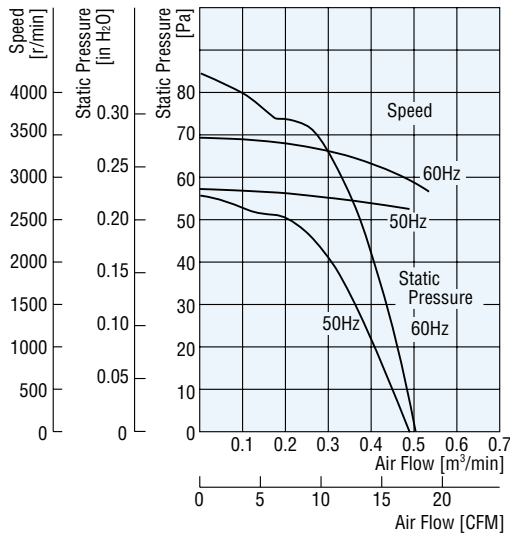
Specifications



| Model | Voltage V | Frequency Hz | Current A | Input Power W | Speed r/min | Max. Air Flow | | Max. Static Pressure | | Noise level dB(A) |
|----------------|------------------|-----------------|--------------|------------------|----------------|---------------|---------------------|----------------------|----|----------------------|
| | | | | | | CFM | m ³ /min | in H ₂ O | Pa | |
| MB630-B | Single-Phase 100 | 50 | 0.11 | 8.0 | 2300 | 15.5 | 0.44 | 0.21 | 53 | 37 |
| | Single-Phase 100 | 60 | 0.11 | 8.0 | 1900 | 12.7 | 0.36 | 0.30 | 76 | 33 |
| | Single-Phase 110 | 60 | 0.12 | 9.5 | 2300 | 15.9 | 0.45 | 0.31 | 77 | 38 |
| | Single-Phase 115 | 60 | 0.12 | 10.0 | 2500 | 17.3 | 0.49 | 0.31 | 79 | 40 |
| MB630-D | Single-Phase 200 | 50 | 0.08 | 12.0 | 2500 | 17.3 | 0.49 | 0.224 | 56 | 38 |
| | Single-Phase 200 | 60 | 0.08 | 11.0 | 2600 | 17.7 | 0.50 | 0.334 | 83 | 39 |
| | Single-Phase 220 | 60 | 0.08 | 13.0 | 2900 | 19.4 | 0.55 | 0.334 | 83 | 42 |
| | Single-Phase 230 | 50 | 0.09 | 16.0 | 2600 | 17.7 | 0.50 | 0.224 | 56 | 39 |
| | Single-Phase 230 | 60 | 0.08 | 14.0 | 2900 | 19.4 | 0.55 | 0.334 | 83 | 43 |

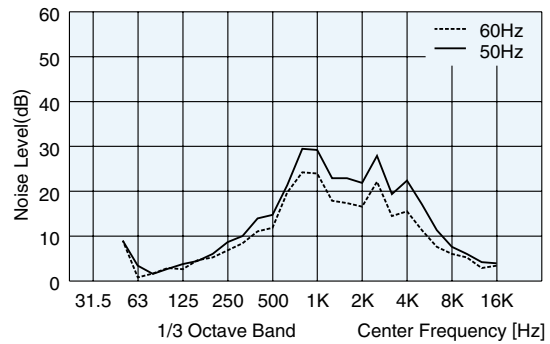
- Values for maximum air flow and maximum static pressure are measured by the double-chamber method.
- Noise level is measured in the A range, at a distance of 3.3 feet from the fan intake side.
- These products are impedance protected.
- Fans bearing the CE mark should only be used with class I equipment. When installing into the equipment, either ground the fan or ensure that there is no contact with bare hands.
- Standards specifications are listed on page D-2.

Air Flow - Static Pressure Characteristics



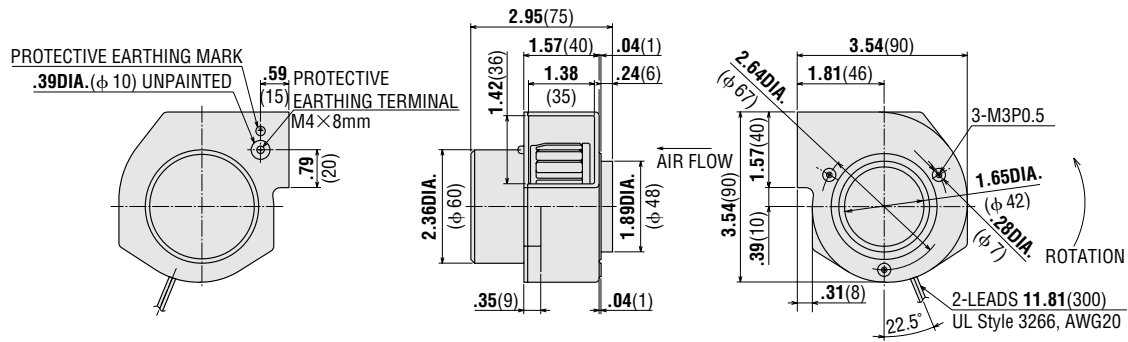
Audible Noise Frequency Analysis

Measure at a distance of 3.3 feet from the fan intake side

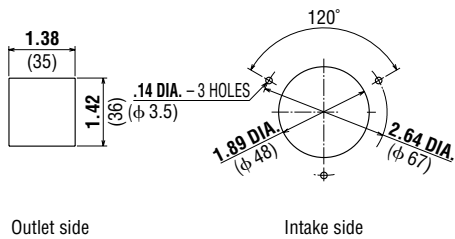


■ **Dimensions** Scale 1/4, Unit = inch (mm)

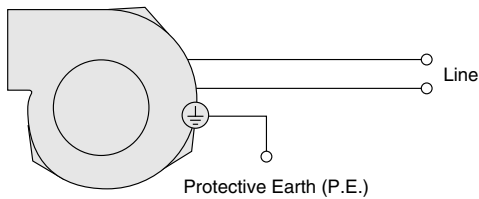
● Weight (Mass): 1.1 lb. (0.5kg)



■ **Panel Cut-Out** Scale 1/4, Unit = inch (mm)

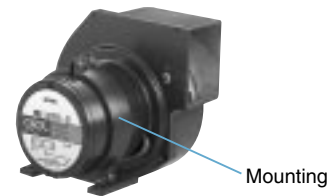


■ **Wiring Diagram**



■ **Accessories** (Sold separately)

| Item | Model | Page |
|----------|--------------|-------|
| Mounting | PAS2B | C-108 |



MB Series

AC Centrifugal Blowers

Impeller Diameter
1.97 in. dia. (φ50 mm)



Materials

Motor Case: Die Cast Aluminum
Casing: Die Cast Aluminum
Impeller: Aluminum

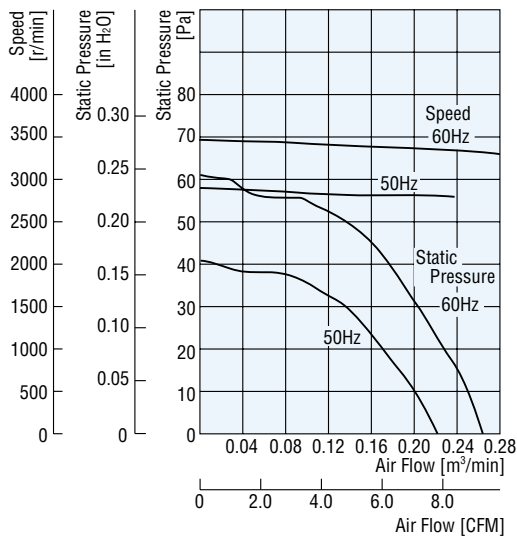
Specifications



| Model | Voltage V | Frequency Hz | Current A | Input Power W | Speed r/min | Max. Air Flow | | Max. Static Pressure | | Noise level dB(A) |
|----------------|------------------|-----------------|--------------|------------------|----------------|---------------|---------------------|----------------------|----|----------------------|
| | | | | | | CFM | m ³ /min | in H ₂ O | Pa | |
| MB520-B | Single-Phase 100 | 50 | 0.11 | 8 | 2600 | 7.4 | 0.21 | 0.149 | 37 | 33 |
| | Single-Phase 100 | 60 | 0.10 | 7 | 3000 | 8.5 | 0.24 | 0.212 | 53 | 37 |
| | Single-Phase 110 | 60 | 0.11 | 8.5 | 3200 | 8.8 | 0.25 | 0.220 | 55 | 38 |
| | Single-Phase 115 | 60 | 0.11 | 9 | 3200 | 8.8 | 0.25 | 0.220 | 55 | 38 |
| MB520-D | Single-Phase 200 | 50 | 0.09 | 11 | 2650 | 7.8 | 0.22 | 0.153 | 38 | 33 |
| | Single-Phase 200 | 60 | 0.08 | 10 | 3200 | 9.5 | 0.27 | 0.232 | 58 | 38 |
| | Single-Phase 220 | 60 | 0.09 | 12 | 3300 | 9.5 | 0.27 | 0.240 | 60 | 38 |
| | Single-Phase 230 | 50 | 0.10 | 16 | 2750 | 8.1 | 0.23 | 0.161 | 40 | 33 |
| | Single-Phase 230 | 60 | 0.09 | 13 | 3300 | 9.5 | 0.27 | 0.240 | 60 | 38 |

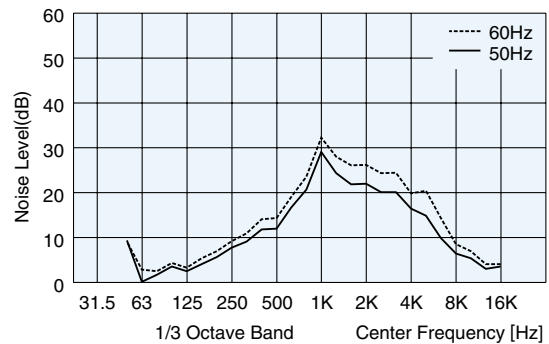
- Values for maximum air flow and maximum static pressure are measured by the double-chamber method.
- Noise level is measured in the A range, at a distance of 3.3 feet from the fan intake side.
- These products are impedance protected.
- Fans bearing the CE mark should only be used with class I equipment. When installing into the equipment, either ground the fan or ensure that there is no contact with bare hands.
- Standards specifications are listed on page D-2.

Air Flow - Static Pressure Characteristics



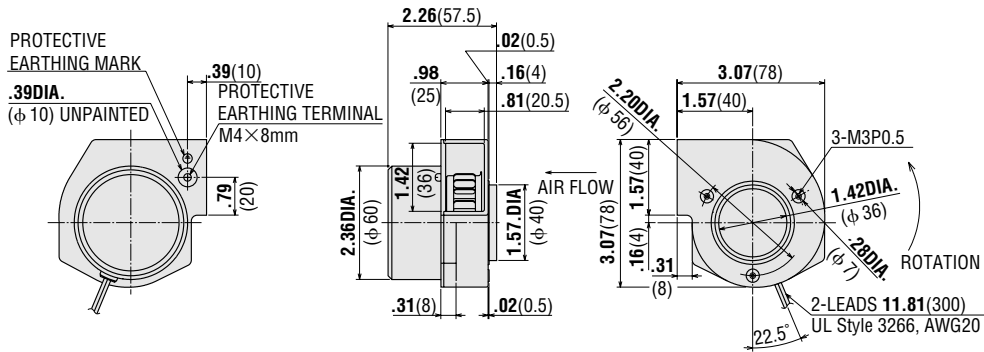
Audible Noise Frequency Analysis

Measure at a distance of 3.3 feet from the fan intake side

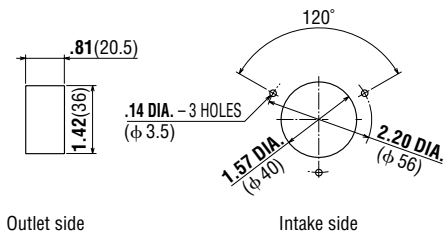


■ **Dimensions** Scale 1/4, Unit = inch (mm)

● Weight (Mass): 0.66 lb. (0.3kg)



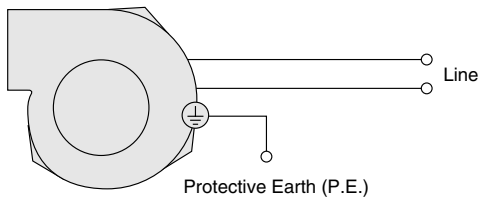
■ **Panel Cut-Out** Scale 1/4, Unit = inch (mm)



Outlet side

Intake side

■ **Wiring Diagram**



■ **Accessories** (Sold separately)

| Item | Model | Page |
|----------|--------------|-------|
| Mounting | PAS2B | C-108 |

