

# VARIOFLOW

## MRS Series

7.09 in. sq. × 3.54 in. thick  
(180 mm sq. × 90 mm thick)



● Variable resistor is provided with the Fan

### Materials

Frame: Die Cast Aluminum

Blades: Resin

Flammability Grade: V-O

## ■ Specifications

Model	Voltage V	Frequency Hz	Current A	Input Power W	Resistance kΩ	Speed r/min	Max. Air Flow CFM	Max. Air Flow m <sup>3</sup> /min	Max. Static Pressure inH <sub>2</sub> O	Max. Static Pressure Pa	Noise Level dB
<b>MRS18V2-B</b>	Single-Phase 100	50	1.2	74	0	2800	388	11.0	0.75	186	56
		1000	138	3.9	0.078	19.6	46				
		60	1.4	100	0	3200	424	12.0	0.79	196	60
	Single-Phase 115	60	1.4	100	0	3350	452	12.8	1.02	255	61
		200	200	750	99	2.8	0.0472	12	40		
		1100	141	4.0	0.094	23.5	44				
<b>MRS18V2-D</b>	Single-Phase 200	50	0.6	74	0	2800	388	11.0	0.75	186	56
		1000	138	3.9	0.078	19.6	46				
		60	0.7	100	0	3200	424	12.0	0.79	196	60
	Single-Phase 230	50	0.6	84	0	2850	388	11.0	0.79	196	56
		1350	177	5.0	0.145	36.3	49				
		3350	452	12.8	1.02	255	61				
		60	0.7	100	0	1100	141	4.0	0.094	23.5	44

● Values for maximum air flow and maximum static pressure are measured by the double-chamber method.

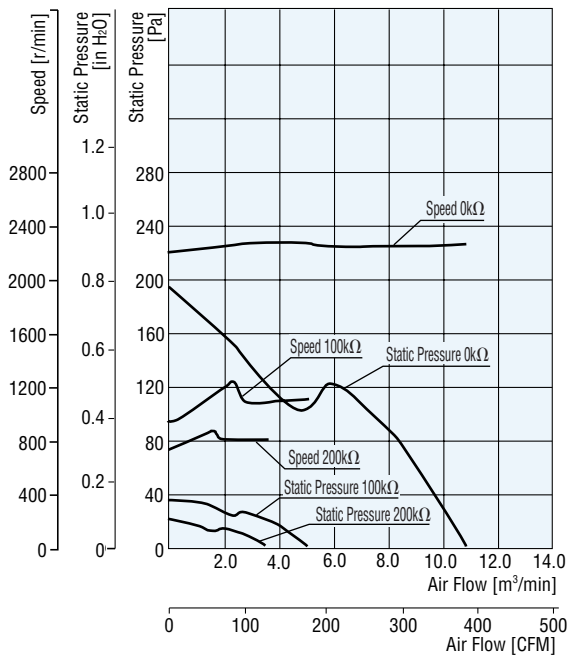
● Noise level is measured in the A range, at a distance of 3.3 feet from the fan intake side.

● A thermal protector is installed. If the fan heats up, the thermal protector goes into operation and the fan stops. Once the fan temperature drops, it will automatically restart. Perform inspection work after turning off the power source.

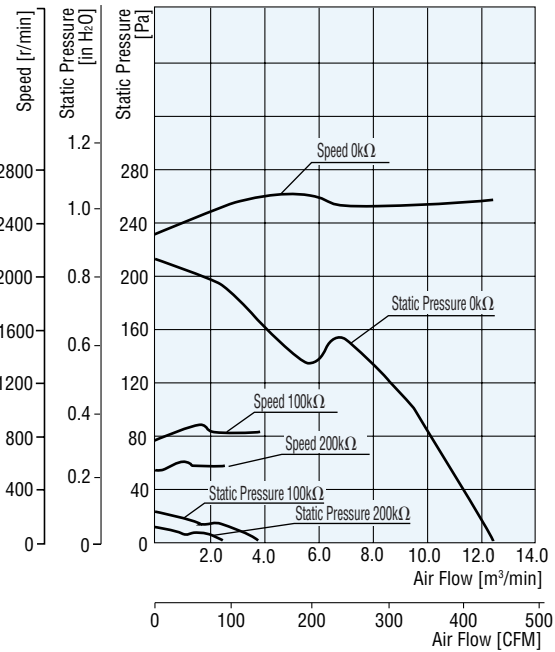
● Fans bearing the CE mark should only be used with Class I equipment. When installing into the equipment, either ground the fan or ensure that there is no contact with bare hands. For protection, use the optional finger guard. Standards specifications are listed on page D-2

## ■ Air Flow — Static Pressure Characteristics

### ● 50Hz



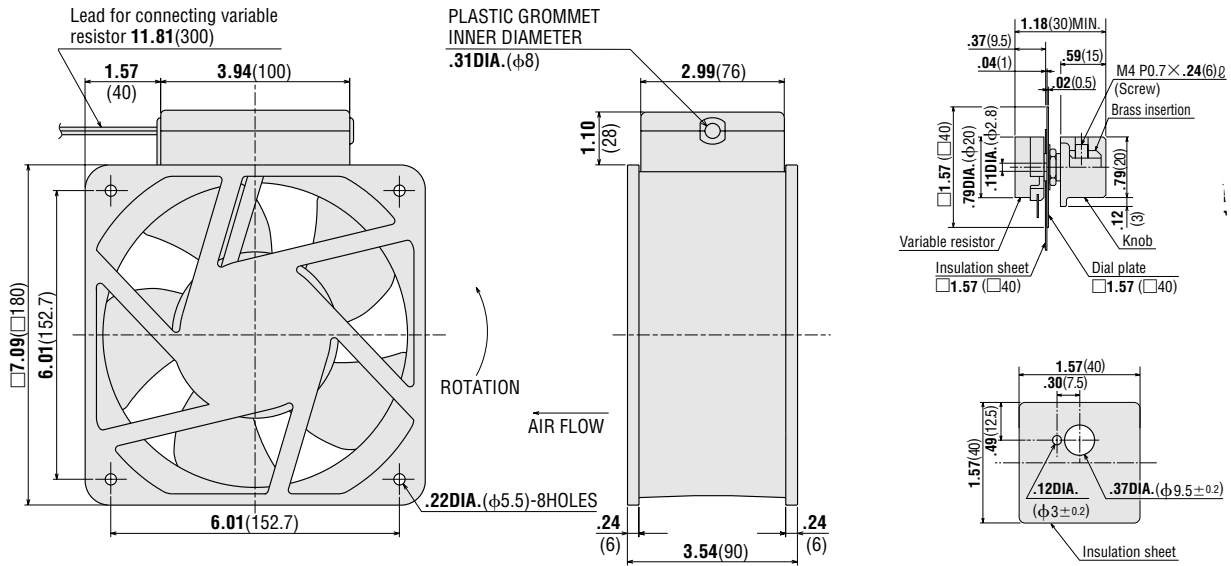
### ● 60Hz



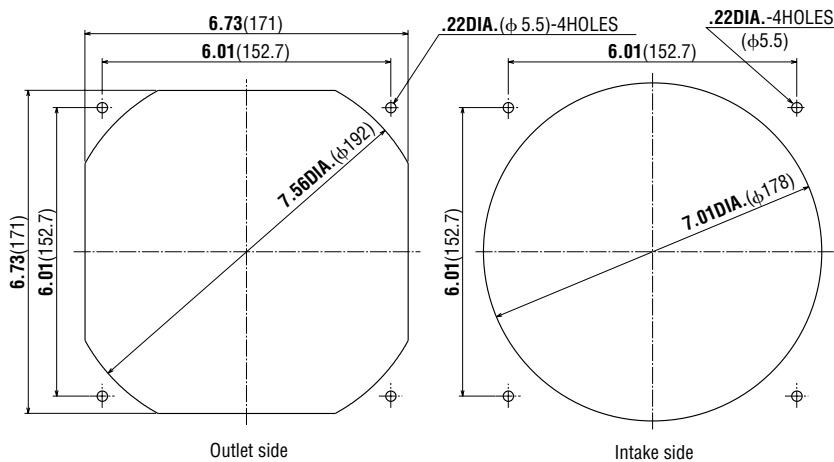
## ■ Dimensions Scale 1/4, Unit = inch (mm)

● Weight (Mass): 5.5 lb. (2.5 kg)

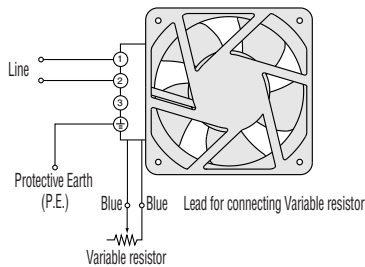
● Variable resistor (included)  
(200kΩ 1/4W with a linear resistance vs. angle curve)



## ■ Panel Cut-Out Scale 1/4, Unit = inch (mm)



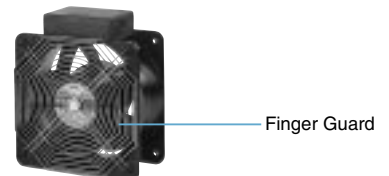
## ■ Wiring Diagram



## ■ Accessories (Sold separately)

Item	Model	Safety Standards	Page
Finger Guard	<b>FG18D</b>	*	C-100
Filter	<b>FL18</b>	—	C-103

\* These products have been designed to pass tests set forth under the UL and CSA standards for equipment used in fans. They conform to the standards only when used on an **ORIX.FAN**.



● A filter can be installed in place of the finger guard.

