

MD Series

□ 4.69 in. × 1.00 in. thick
 (□ 119 mm × 25.4 mm thick)



Ambient Temperature: 14°F to 140°F (−10°C to +60°C)
 Operating Voltage Range: ±15%

Materials

Frame: Die Cast Aluminum
 Blades: Resin
 Flammability Grade: V-0
 Overheat Protection: Built-in Overheat Protection Circuit
 Bearings: Ball Bearings

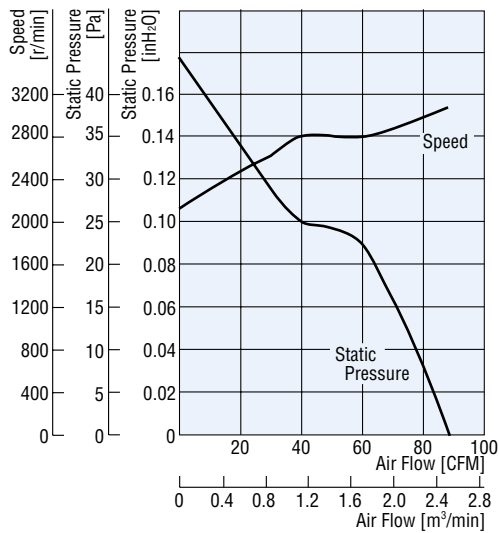
Specifications



Speed Type	Model	Voltage VDC	Current A	Speed r/min	Max. Air Flow CFM	Max. Air Flow m ³ /min	Max. Static Pressure inH ₂ O	Max. Static Pressure Pa	Noise Level dB(A)
Standard Speed	MD1225-12	12	0.47	3100	88.3	2.5	0.172	43	45
	MD1225-24	24	0.26						

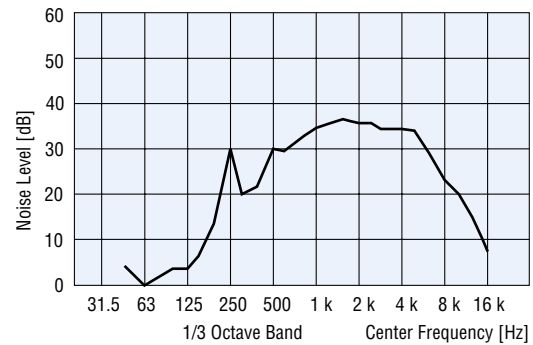
•How to read the specifications →Page E-13 •Details of safety standards →Page G-2

Air Flow — Static Pressure Characteristics



Frequency — Audible Noise Level (dB)

Measured at a distance of 3.3 feet (1 m) from the fan intake side

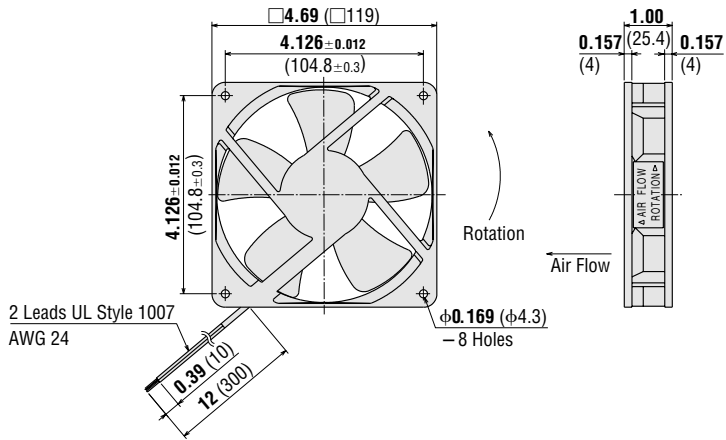


Dimensions

Scale 1/4, Unit = inch (mm)

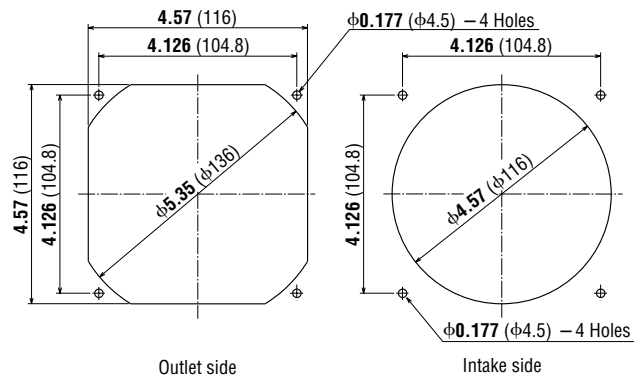
Weight: 0.42 lb. (0.19 kg)

DXF E021

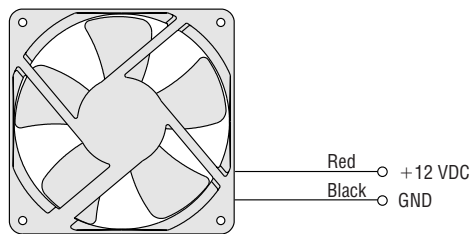


Panel Cut-Out

Scale 1/4, Unit = inch (mm)



Connection Diagram



Accessories (Sold Separately)

Item	Model	Safety Standards	Page
Finger Guard	FG12D	*	E-102
Filter	FL12	-	E-106
Screen	FS12	-	E-107

* These products have been designed to pass tests set forth under the UL and CSA standards for equipment used in fans. They conform to the standards only when used with an **ORIX FAN**.



- A filter or screen can be installed in place of the finger guard.

Introduction

MRS

Variable Flow

MU

Long Life

MDS · MD

MB

MBD

MF

MFD

Thermostats

Accessories

Before Using

a Fan

MD Series

□ 3.62 in. × 1.00 in. thick
 (□ 92 mm × 25.4 mm thick)



Ambient Temperature: 14°F to 140°F (−10°C to +60°C)
 Operating Voltage Range: ±15%

Materials

Frame: Resin
 Flammability Grade: V-0
 Blades: Resin
 Flammability Grade: V-0
 Overheat Protection: Built-in Overheat Protection Circuit
 Bearings: Ball Bearings

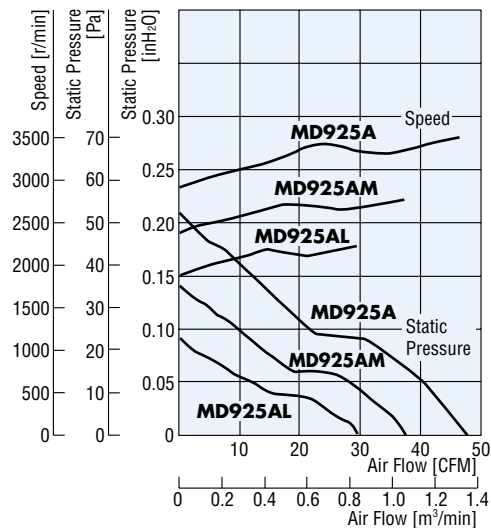
Specifications



Speed Type	Model			Voltage VDC	Current A	Speed r/min	Max. Air Flow		Max. Static Pressure		Noise Level dB (A)
	Stall Alarm, Electronic Alarm Type ①	Pulse Sensor Type ⑨	Standard Type				CFM	m ³ /min	inH ₂ O	Pa	
Standard Speed	MD925A-12L	MD925A-12S	MD925A-12	12	0.24	3400	45.9	1.30	0.196	49	36
	MD925A-24L	MD925A-24S	MD925A-24	24	0.12						
Middle Speed	—	—	MD925AM-12	12	0.15	2800	38.8	1.10	0.137	34	31
	—	—	MD925AM-24	24	0.09						
Low Speed	—	—	MD925AL-12	12	0.10	2200	31.8	0.90	0.0882	22	28
	—	—	MD925AL-24	24	0.07						

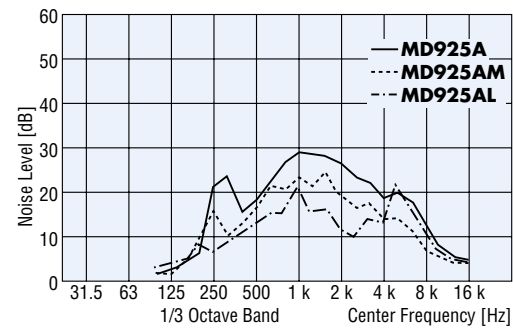
- How to read the specifications → Page E-13
- Alarm Specifications: ① → Page E-14, ⑨ → Page E-16
- Details of safety standards → Page G-2
- Pulse sensor type is not DEMKO approved.

Air Flow — Static Pressure Characteristics



Frequency — Audible Noise Level (dB)

Measured at a distance of 3.3 feet (1 m) from the fan intake side

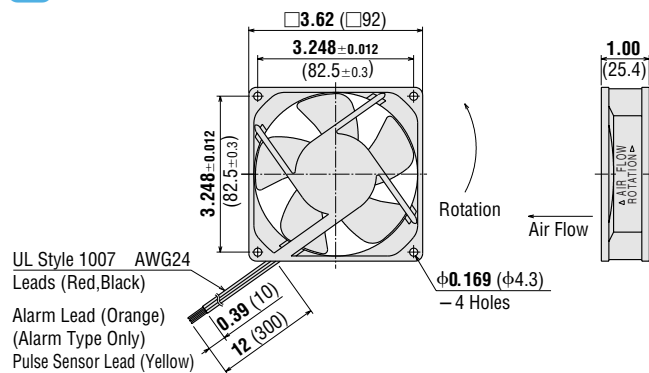


■ Dimensions

Scale 1/4, Unit = inch (mm)

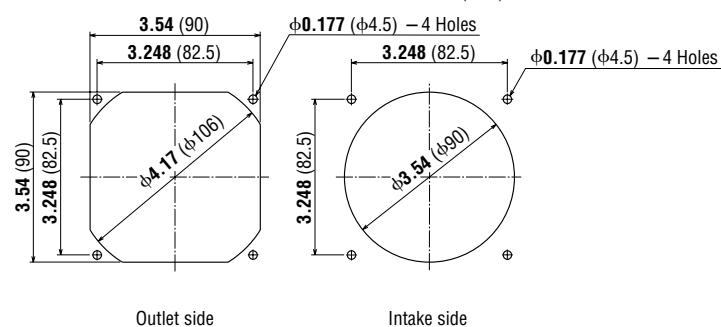
Weight: 0.26 lb. (0.12 kg)

DXF E022

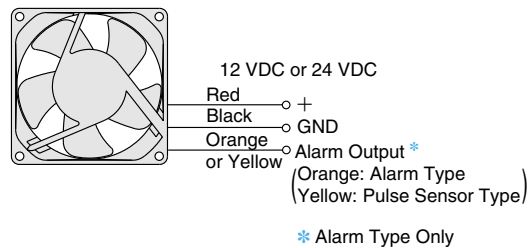


■ Panel Cut-Out

Scale 1/4, Unit = inch (mm)



■ Connection Diagram



■ Accessories (Sold Separately)

Item	Model	Safety Standards	Page
Finger Guard	FG9D	*1	E-102
Filter*2	FL9	-	E-105
Screen	FS9	-	E-107

*1 These products have been designed to pass tests set forth under the UL and CSA standards for equipment used in fans. They conform to the standards only when used with an **ORIX FAN**.

*2 Use M3 metric size screws to attach the filter to the fan frame.



Finger Guard

- A filter or screen can be installed in place of the finger guard.

MD Series

□ 3.15 in. × 1.00 in. thick
 (□ 80 mm × 25.4 mm thick)



Ambient Temperature: 14°F to 140°F (−10°C to +60°C)
 Operating Voltage Range: ±15%

Materials

Frame: Resin
 Flammability Grade: V-0
 Blades: Resin
 Flammability Grade: V-0
 Overheat Protection: Built-in Overheat Protection Circuit
 Bearings: Ball Bearings

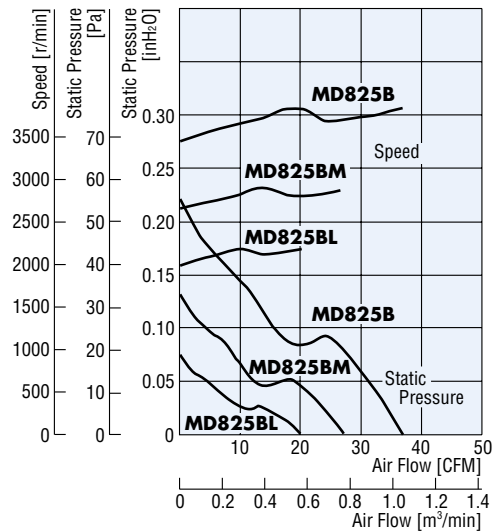


Specifications

Speed Type	Model			Voltage VDC	Current A	Speed r/min	Max. Air Flow		Max. Static Pressure		Noise Level dB (A)
	Stall Alarm, Electronic Alarm Type ①	Pulse Sensor Type ⑨	Standard Type				CFM	m ³ /min	inH ₂ O	Pa	
Standard Speed	MD825B-12L	MD825B-12S	MD825B-12	12	0.25	3800	35.3	1.00	0.196	49	35
	MD825B-24L	MD825B-24S	MD825B-24	24	0.14						
Middle Speed	—	—	MD825BM-12	12	0.15	2850	25.8	0.73	0.116	29	29
	—	—	MD825BM-24	24	0.09						
Low Speed	—	—	MD825BL-12	12	0.07	2100	19.4	0.55	0.0642	16	25

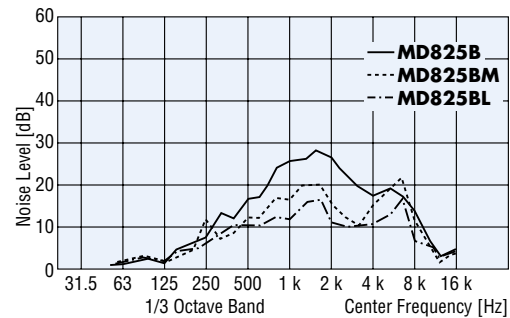
- How to read the specifications → Page E-13
- Alarm Specifications: ① → Page E-14, ⑨ → Page E-16
- Details of safety standards → Page G-2
- Pulse sensor type is not DEMKO approved.

Air Flow — Static Pressure Characteristics



Frequency — Audible Noise Level (dB)

Measured at a distance of 3.3 feet (1 m) from the fan intake side

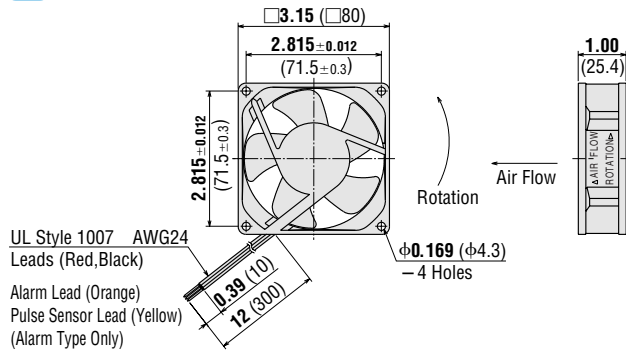


■ Dimensions

Scale 1/4, Unit = inch (mm)

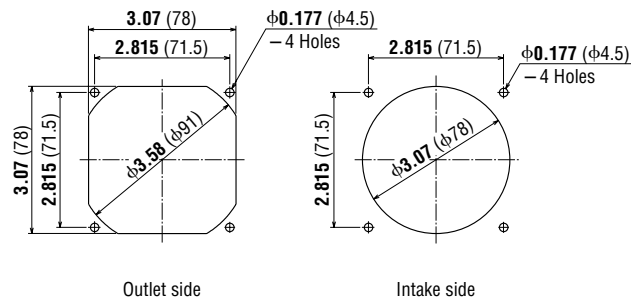
Weight: 0.24 lb. (0.11 kg)

DXF E023

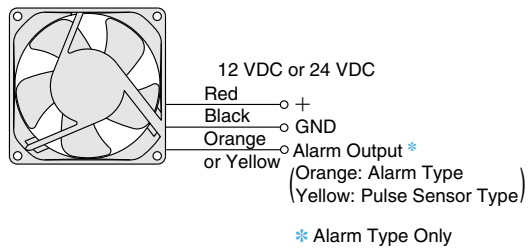


■ Panel Cut-Out

Scale 1/4, Unit = inch (mm)



■ Connection Diagram



■ Accessories (Sold Separately)

Item	Model	Safety Standards	Page
Finger Guard	FG8D	*	E-102
Filter	FL8	—	E-105
Screen	FS8	—	E-107

* These products have been designed to pass tests set forth under the UL and CSA standards for equipment used in fans. They conform to the standards only when used with an **ORIX FAN**.



Finger Guard

- A filter or screen can be installed in place of the finger guard.

MD Series

□ 2.44 in. × 1.00 in. thick
 (□ 62 mm × 25.4 mm thick)



Ambient Temperature: 14°F to 140°F (–10°C to+ 60°C)
 Operating Voltage Range: ±15%

Materials

Frame: Resin
 Flammability Grade: V-0
 Blades: Resin
 Flammability Grade: V-0
 Overheat Protection: Built-in Overheat Protection Circuit
 Bearings: Ball Bearings

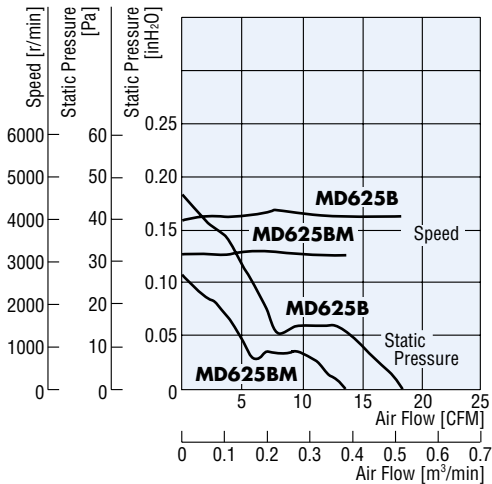
Specifications



Speed Type	Model			Voltage VDC	Current A	Speed r/min	Max. Air Flow		Max. Static Pressure		Noise Level dB (A)
	Stall Alarm, Electronic Alarm Type ①	Pulse Sensor Type ⑨	Standard Type				CFM	m ³ /min	inH ₂ O	Pa	
	Standard Speed	MD625B-12L	MD625B-12S				MD625B-12	12	0.16	4000	
	MD625B-24L	MD625B-24S	MD625B-24	24	0.10						
Middle Speed	–	–	MD625BM-12	12	0.10	3000	13.1	0.37	0.109	27	25
	–	–	MD625BM-24	24	0.07						

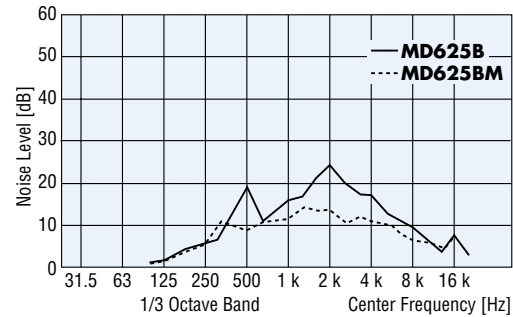
- How to read the specifications →Page E-13
- Alarm Specifications: ①→Page E-14, ⑨→Page E-16
- Details of safety standards →Page G-2
- Pulse sensor type is not DEMKO approved.

Air Flow — Static Pressure Characteristics



Frequency — Audible Noise Level (dB)

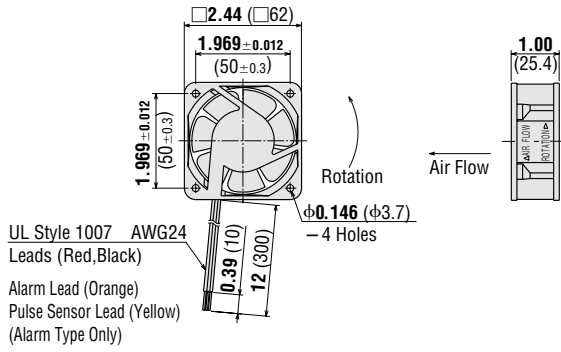
Measured at a distance of 3.3 feet (1 m) from the fan intake side



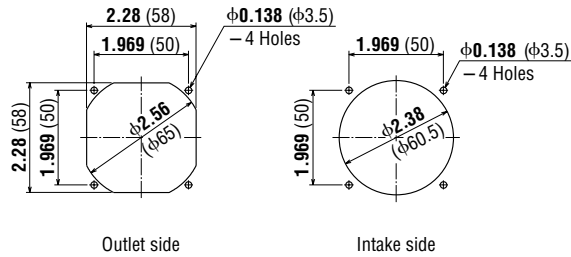
■ Dimensions Scale 1/4, Unit = inch (mm)

Weight: 0.22 lb. (0.1 kg)

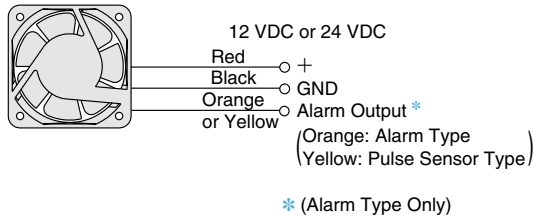
DXF E024



■ Panel Cut-Out Scale 1/4, Unit = inch (mm)



■ Connection Diagram



■ Accessories (Sold Separately)

Item	Model	Safety Standards	Page
Finger Guard	FG6D	*	E-102
Filter	FL6	-	E-105

* These products have been designed to pass tests set forth under the UL and CSA standards for equipment used in fans. They conform to the standards only when used with an **ORIX FAN**.



Finger Guard

- A filter or screen can be installed in place of the finger guard.

MDS Series

High-Performance Models

□ 2.05 in. × 0.39 in. thick
 (□ 52 mm × 10 mm thick)



Ambient Temperature: 14°F to 140°F (−10°C to +60°C)
 Operating Voltage Range: ±10%

Materials

Frame: Resin
 Flammability Grade: V-0
 Blades: Resin
 Flammability Grade: V-0
 Overheat Protection: Built-in Overheat Protection Circuit
 Bearings: Ball Bearings

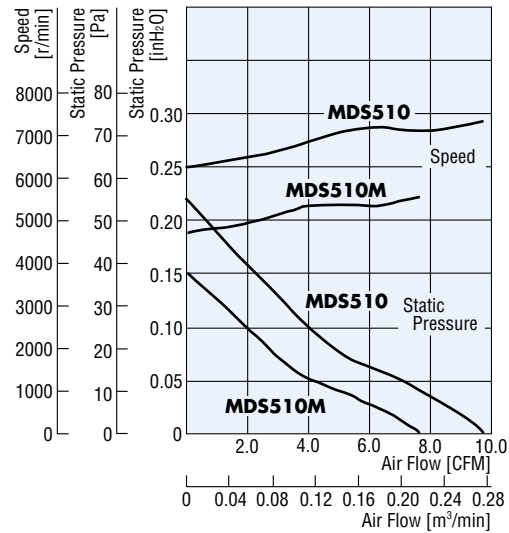


Specifications

Speed Type	Model		Voltage VDC	Current A	Speed r/min	Max. Air Flow		Max. Static Pressure		Noise Level dB(A)
	Electronic Alarm Type	Standard Type				CFM	m ³ /min	inH ₂ O	Pa	
Standard Speed	①	MDS510-12L	12	0.14	7000	9.53	0.27	0.217	54	36
		MDS510-24L	24	0.08						
Middle Speed	—	MDS510M-5	5	0.2	5500	7.06	0.2	0.129	32	30
	—	MDS510M-12	12	0.12						
	—	MDS510M-24	24	0.06						

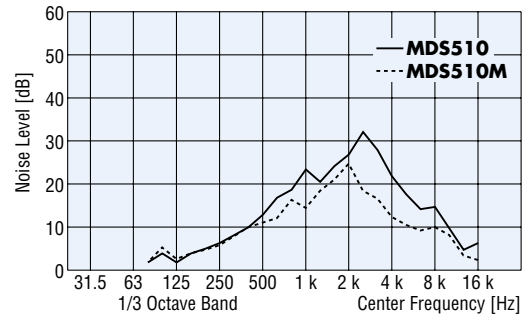
• How to read the specifications → Page E-13 • Alarm Specifications: ① → Page E-14 • Details of safety standards → Page G-2

Air Flow — Static Pressure Characteristics



Frequency — Audible Noise Level (dB)

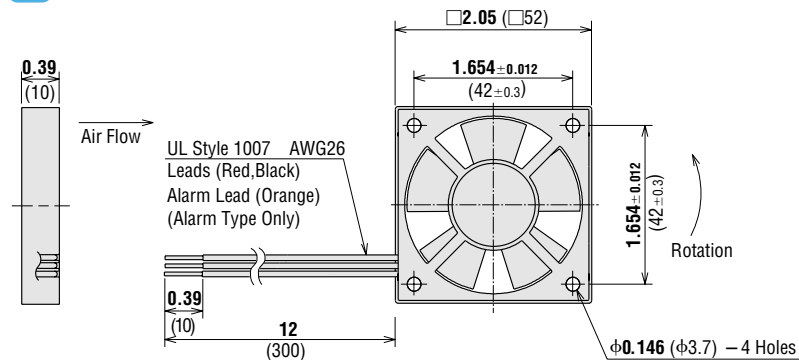
Measured at a distance of 3.3 feet (1 m) from the fan intake side



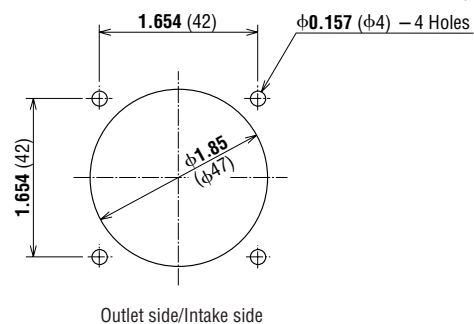
■ Dimensions Scale 1/2, Unit = inch (mm)

Weight: 1.1 oz. (30 g)

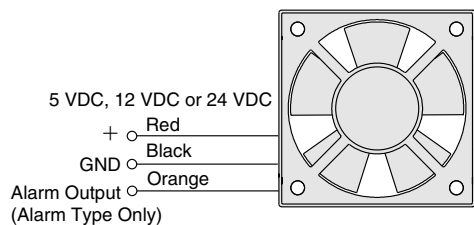
DXF E018



■ Panel Cut-Out Scale 1/2, Unit = inch (mm)



■ Connection Diagram



■ Accessories (Sold Separately)

Item	Model	Safety Standards	Page
Finger Guard	FG5D	*	E-102

* These products have been designed to pass tests set forth under the UL and CSA standards for equipment used in fans. They conform to the standards only when used with an **ORIX FAN**.



MDS Series

High-Performance Models

□ 1.65 in. × 0.39 in. thick
 (□ 42 mm × 10 mm thick)



Ambient Temperature: 14°F to 140°F (−10°C to +60°C)
 Operating Voltage Range: ±10%

Materials

Frame: Resin
 Flammability Grade: V-0
 Blades: Resin
 Flammability Grade: V-0
 Overheat Protection: Built-in Overheat Protection Circuit
 Bearings: Ball Bearings

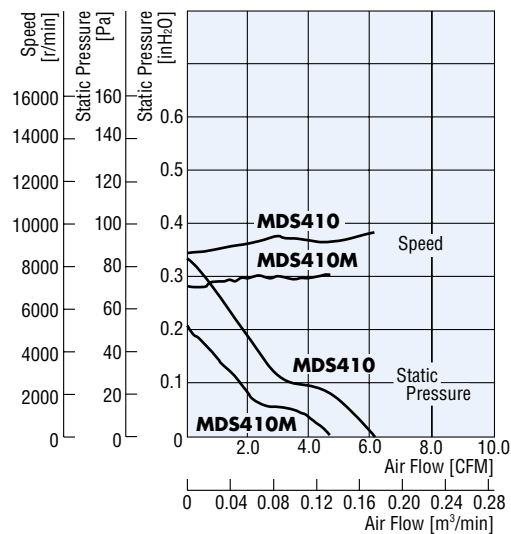


Specifications

Speed Type	Model		Voltage VDC	Current A	Speed r/min	Max. Air Flow		Max. Static Pressure		Noise Level dB(A)
	Electronic Alarm Type ①	Standard Type				CFM	m³/min	inH₂O	Pa	
Standard Speed	MDS410-12L	MDS410-12	12	0.16	10000	6.35	0.18	0.345	86	34
	MDS410-24L	MDS410-24	24	0.09						
Middle Speed	—	MDS410M-5	5	0.2	7500	4.59	0.13	0.188	47	29

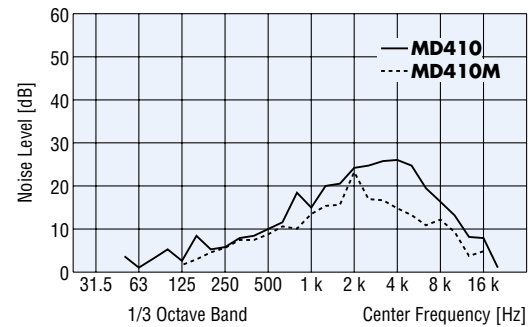
• How to read the specifications → Page E-13 • Alarm Specifications: ① → Page E-14 • Details of safety standards → Page G-2

Air Flow — Static Pressure Characteristics



Frequency — Audible Noise Level (dB)

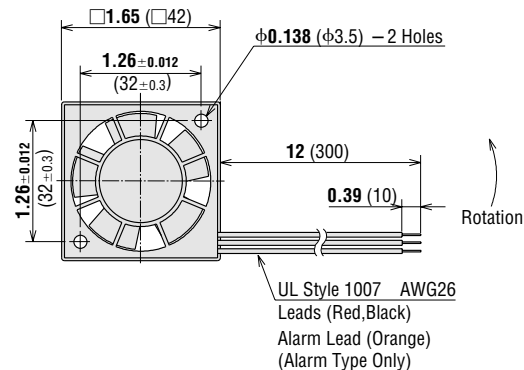
Measured at a distance of 3.3 feet (1 m) from the fan intake side



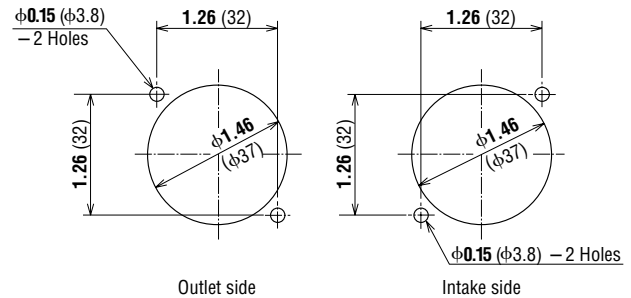
Dimensions Scale 1/2, Unit = inch (mm)

Weight: 1.1 oz. (30 g)

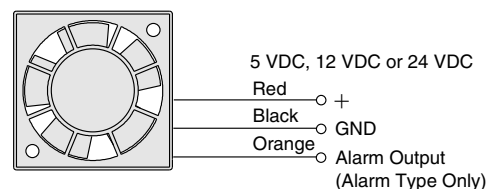
DXF E019



Panel Cut-Out Scale 1/2, Unit = inch (mm)



Connection Diagram



Accessories (Sold Separately)

Item	Model	Safety Standards	Page
Finger Guard	FG4D	*	E-102

* These products have been designed to pass tests set forth under the UL and CSA standards for equipment used in fans. They conform to the standards only when used with an **ORIX FAN**.

