

Orientalmotor

CRK Series with Built-in Controller

Suggested RS485 Converter

* The following RS485 converters are suggested for customer's convenience. However, Oriental Motor is not responsible for the products.

- 1) **USB to RS485 Converter**
USCONVERTERS.COM
Part Number: *MWE820A*

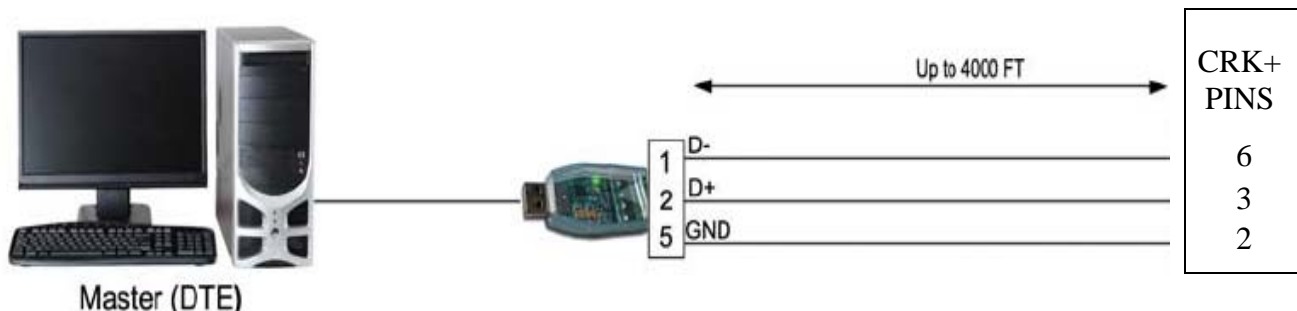


For Purchasing Information, visit
www.usconverters.com

For Technical Information, visit
<http://www.usconverters.com/downloads/mwe820a.pdf>

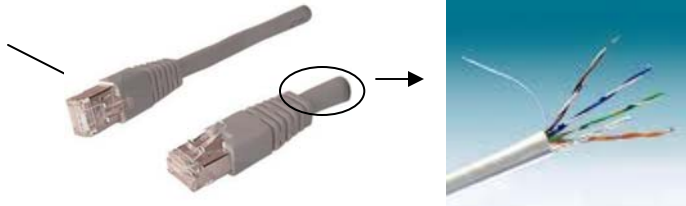
Recommended Driver Download Link:
http://www.usconverters.com/index.php?main_page=page&id=15&chapter=0

Below is a connection example using the USB device with the CRK Plus.



Technical Reference:

RJ 45 connector is required for CN6 and CN7 of CRK+ driver



| | | 568A Cable End | | | | | | | |
|--------------|--|----------------|-------|--------------|-------|------------|--------|-------------|-------|
| | | Pin 1 | Pin 2 | Pin 3 | Pin 4 | Pin 5 | Pin 6 | Pin 7 | Pin 8 |
| Wire Color | | white/green | green | white/orange | blue | white/blue | orange | white/brown | brown |
| CRK + driver | | | GND | T+ | | | T- | | |

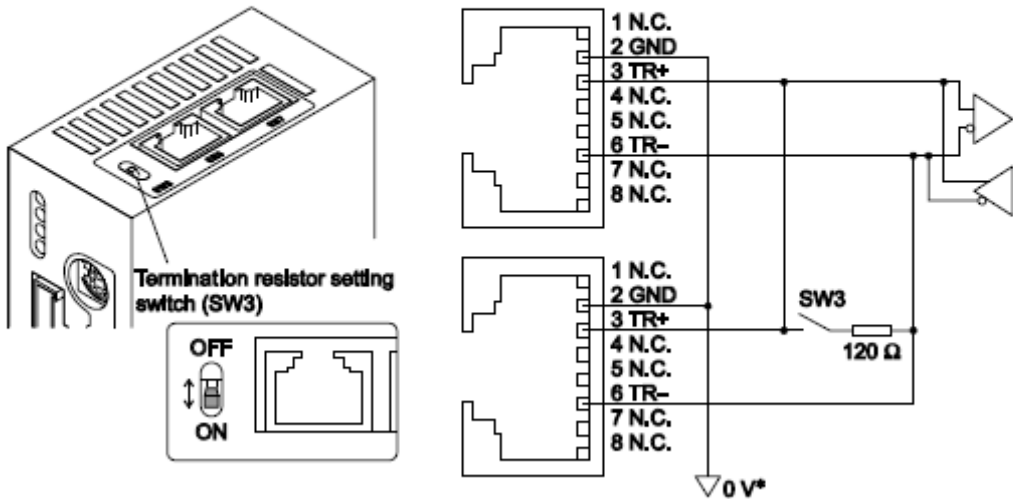
| | | 568B Cable End | | | | | | | |
|--------------|--|----------------|--------|-------------|-------|------------|-------|-------------|-------|
| | | Pin 1 | Pin 2 | Pin 3 | Pin 4 | Pin 5 | Pin 6 | Pin 7 | Pin 8 |
| Wire Color | | white/orange | orange | white/green | blue | white/blue | green | white/brown | brown |
| CRK + driver | | | GND | T+ | | | T- | | |

■ Termination resistor

Use a termination resistor for the driver located farthest away (positioned at the end) from the programmable controller (master device).

Turn the termination resistor setting switch (SW3) ON and set the termination resistor for RS-485 communication (120 Ω).

Factory setting OFF (termination resistor disabled)



* The GND line is used in common with CN1 (not insulated).