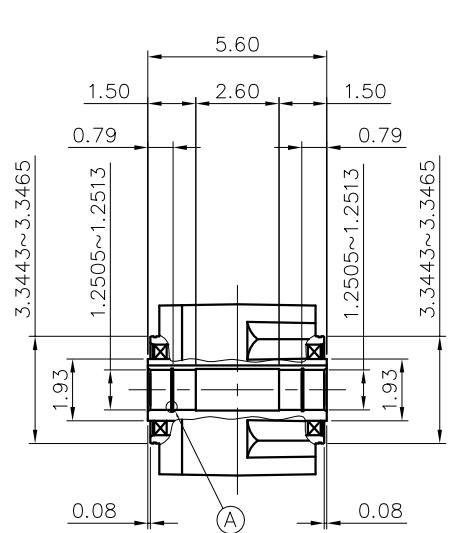
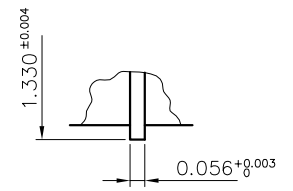


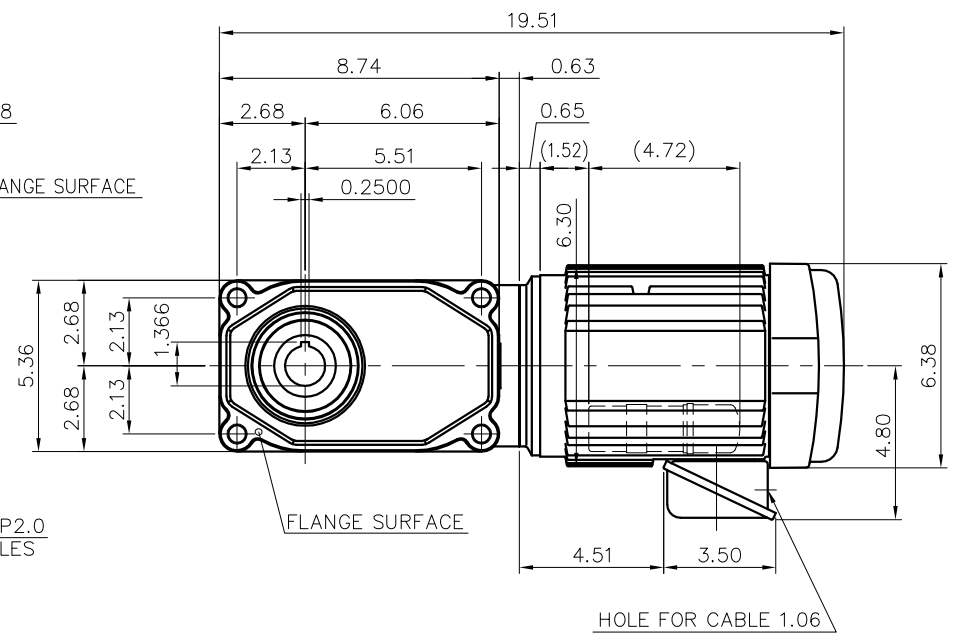
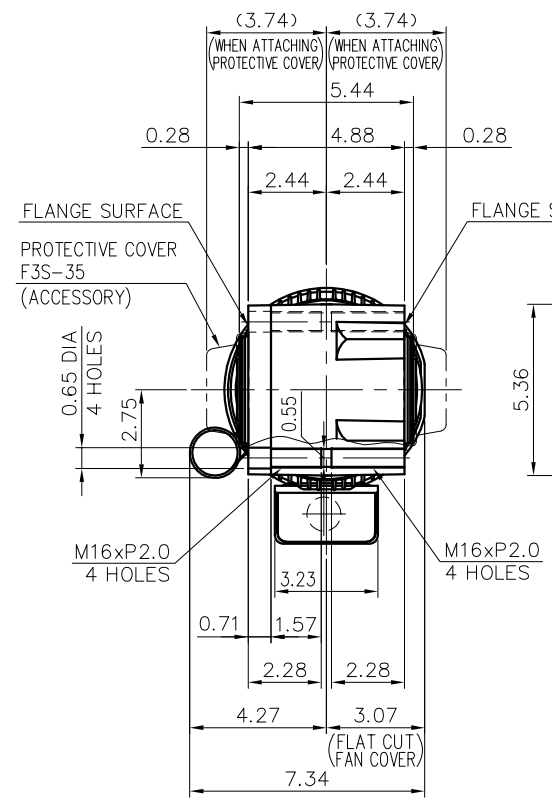
REVISIONS



DETAIL OF OUTPUT SHAFT



DETAIL OF : A



MOTOR SPECIFICATION

|         |                                    |
|---------|------------------------------------|
| TYPE    | 1-PHASE INDUCTION MOTOR            |
| FORM    | TOTALLY ENCLOSED FAN COOLED TECA13 |
| OUT PUT | 1/2 HP                             |
| VOLTAGE | 115 V                              |
| FREQ    | 50/60 Hz                           |
| POLES   | 4                                  |
| RATING  | S1 CONT.                           |

REDUCER SPECIFICATION

|             |                                       |
|-------------|---------------------------------------|
| TYPE        | GTR                                   |
| FORM        | 35                                    |
| RATIO       | 1/80 1/100 1/120<br>1/160 1/200 1/240 |
| LUBRICATION | GREASE                                |

NOTE: THIS MOTOR IS AFFIXED WITH CE MARKING.  
 NOTE: BE SURE TO USE THE THERMAL RELAY WITH CE MARKING.  
 NOTE: THE GROUND LEAD SHOULD BE LONGER THAN THE SUPPLY LEAD FOR THE MOTOR.  
 NOTE: INSULATION : CLASS A (UL) B (EN)  
 NOTE: THIS MOTOR IS UL CERTIFIED MODEL. (UL1004-1)  
 NOTE: UL-LISTED MODEL NAME: BML1S

|   |             |       |                    |         |                 |
|---|-------------|-------|--------------------|---------|-----------------|
| TITLE F3S35N080~240-BML1S<br>DIMENSION OF MODEL |             |       |                    |         |                 |
| DRAWING NO. F3S35N-BML1S                        |             |       |                    |         |                 |
| USER  |             |       |                    |         |                 |
| NOTICE  |             |       |                    |         |                 |
| APPROVE   | Y.Ikeda     | SCALE | 1/6                | UNIT in | DATE 2014.12.05 |
| CHECK   | I.Takashima |       |                    |         |                 |
| DESIGN  | T.Fujimoto  |       |                    |         |                 |
|   |             |       | NISSEI CORPORATION |         |                 |