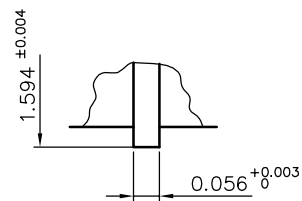
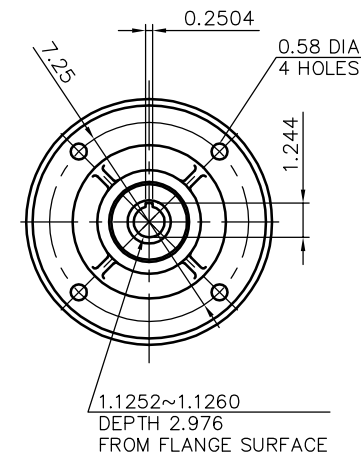
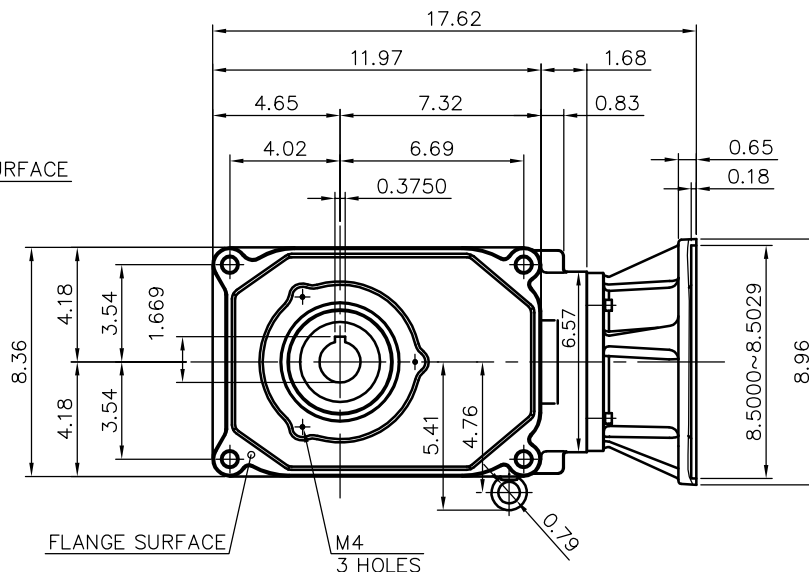
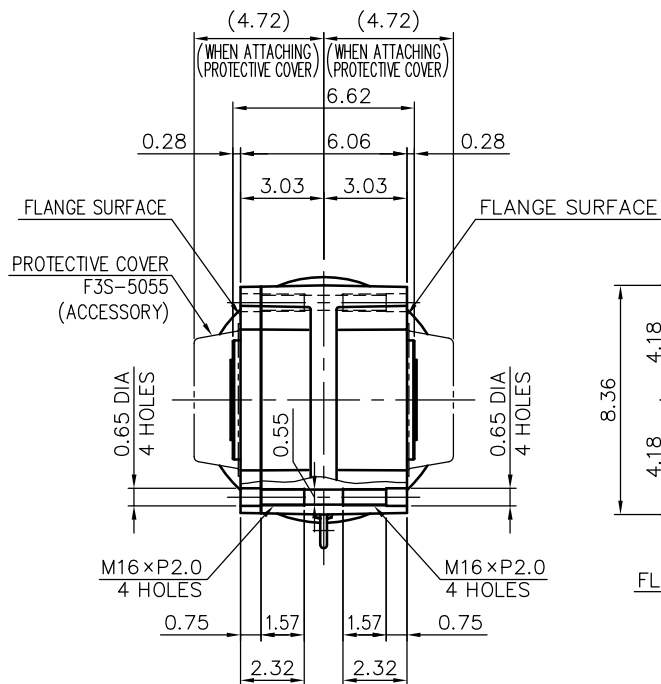
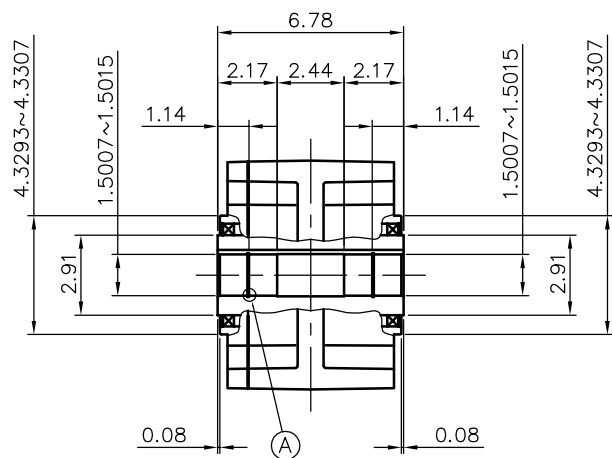


REVISIONS



DETAIL OF : A



DETAIL OF OUTPUT SHAFT

REDUCER SPECIFICATION

TYPE	GTR	
FORM	50	
RATIO	1/40 1/50 1/60	
LUBRICATION	GREASE	
CORRESPONDING MOTOR CAPACITY AT 4POLES	3 HP	

TITLE		F3S50N040~060-NER DIMENSION OF MODEL			
DRAWING NO.		F3S50N-NER			
USER					
NOTICE					
APPROVE	H.Hayashi	SCALE	1/7	UNIT	in
CHECK	A.Hayakawa	DATE	2017.08.28		
DESIGN	M.Suzuki	NISSEI CORPORATION			