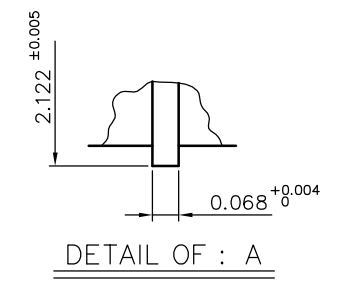
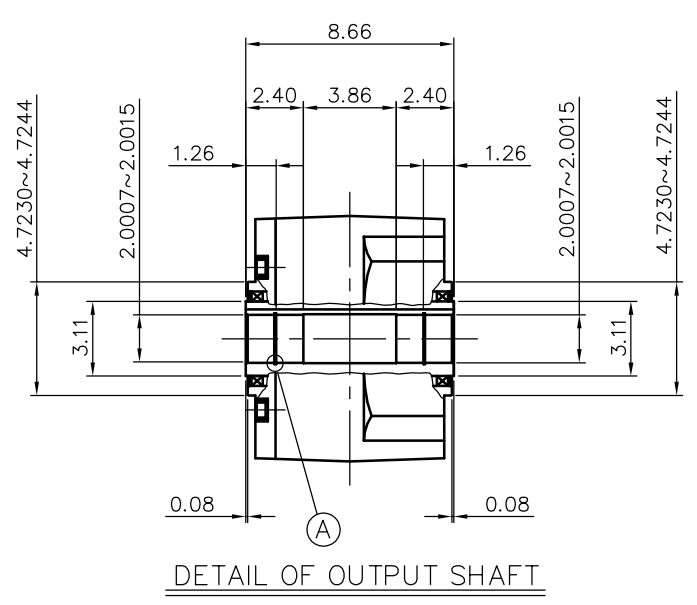
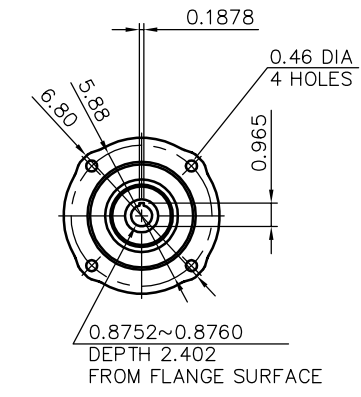
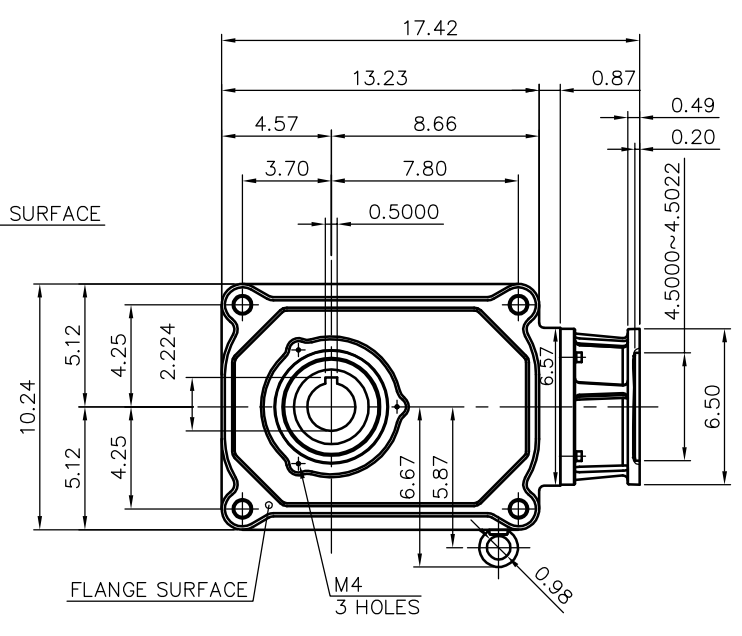
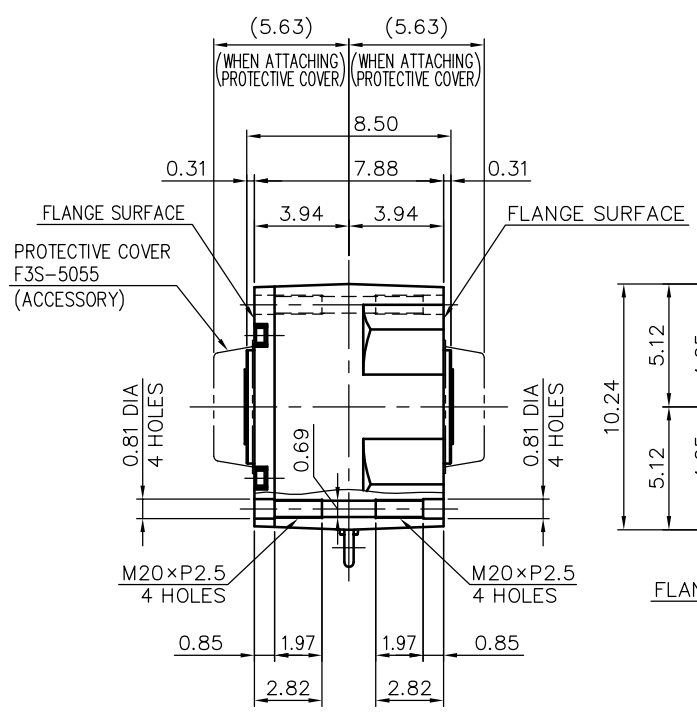


REVISIONS



DETAIL OF : A

REDUCER SPECIFICATION

TYPE	GTR				
FORM	55				
RATIO	1/80	1/100	1/120	1/160	1/200
LUBRICATION	GREASE				
CORRESPONDING MOTOR CAPACITY AT 4POLES	2 HP				

TITLE	F3S55N080~240-NDP DIMENSION OF MODEL				
DRAWING NO.	F3S55N-NDP				
USER					
NOTICE					
APPROVE	H.Hayashi	SCALE	1/8	UNIT	in
CHECK	A.Hayakawa	DATE	2017.08.28		
DESIGN	M.Suzuki	NISSEI CORPORATION			