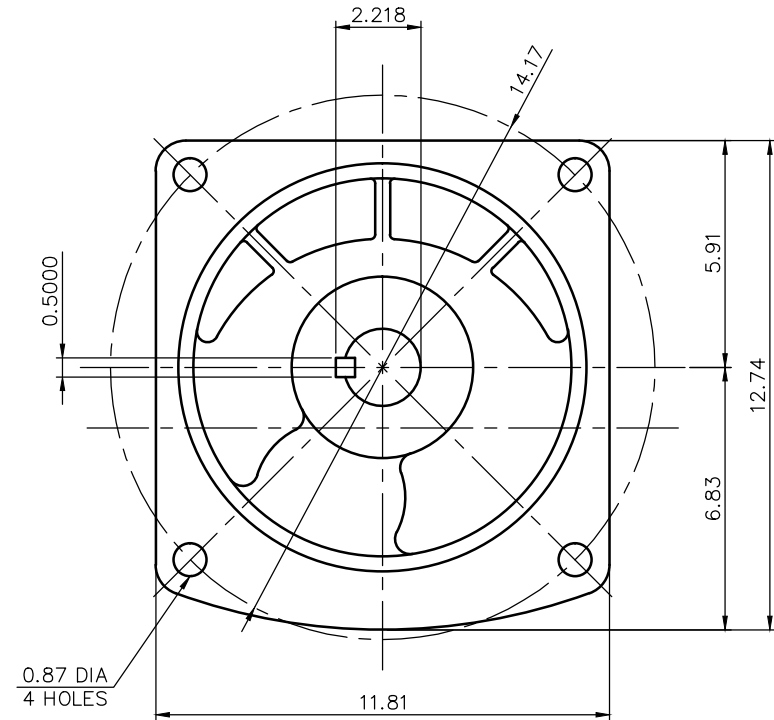
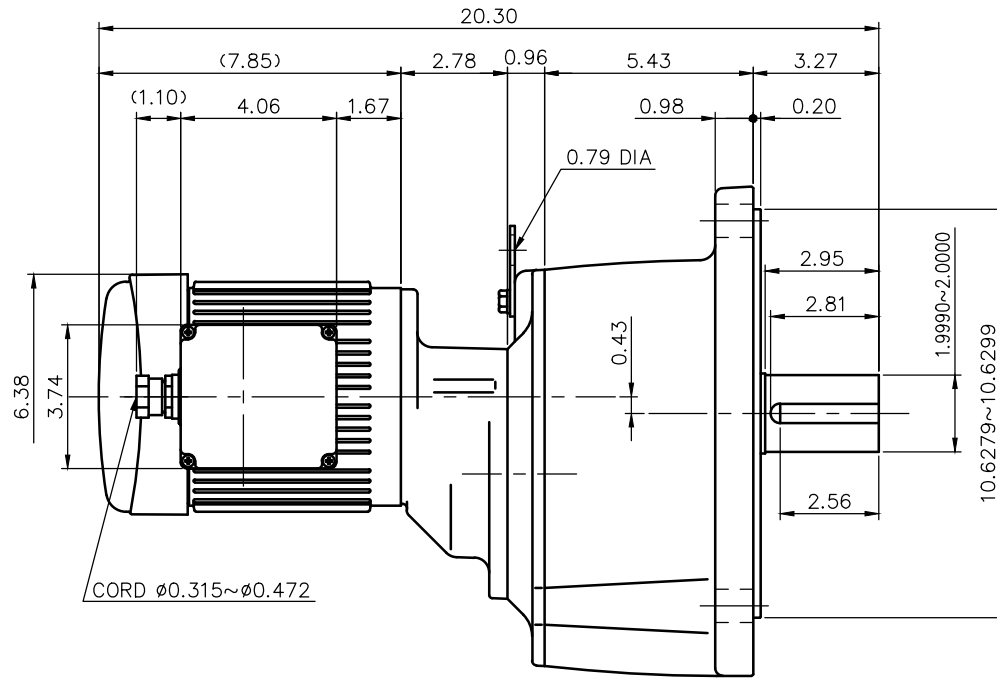


REVISIONS




MOTOR SPECIFICATION

| | |
|----------------------|-----------------------------|
| TYPE | 3-PHASE INDUCTION MOTOR |
| FORM | TOTALLY ENCLOSED FAN COOLED |
| OUT PUT | 3/4 HP |
| VOLTAGE | 208/230/460/400 V |
| FREQ. | 60/60/60/50 Hz |
| POLES | 4 |
| ROTATIONAL FREQUENCY | 1800/1800/1800/1500 rpm |
| RATING | S1 CONT. |
| INS.CLASS | F |

REDUCER SPECIFICATION

| | |
|-------------|-------------------|
| TYPE | GTR |
| FORM | 50 |
| RATIO | 1/300 1/375 1/450 |
| LUBRICATION | GREASE |

NOTE: THIS MOTOR IS AFFIXED WITH CE MARKING.
 NOTE: THE GROUND LEAD SHOULD BE LONGER THAN THE SUPPLY LEAD FOR THE MOTOR.
 NOTE: THIS MOTOR IS UL CERTIFIED MODEL.(UL1004-1)
 NOTE: UL-LISTED MODEL NAME: MF5AWN

| | | | | | |
|-------------|----------|--|-----|------------|--------------------|
| TITLE | | G3F50N300~450-MF5AWN | | | |
| | | DIMENSION OF MODEL | | | |
| DRAWING NO. | | G3F50N-MF5AWN | | | |
| USER | | | | | |
| NOTICE | | | | | |
| APPROVE | Y.Ikeda | SCALE | 1/5 | UNIT in | DATE 2016.10.16 |
| CHECK | Y.Sanji | | | | |
| DESIGN | A.Kubota | | | | |
| | |  NISSEI CORPORATION | | | |