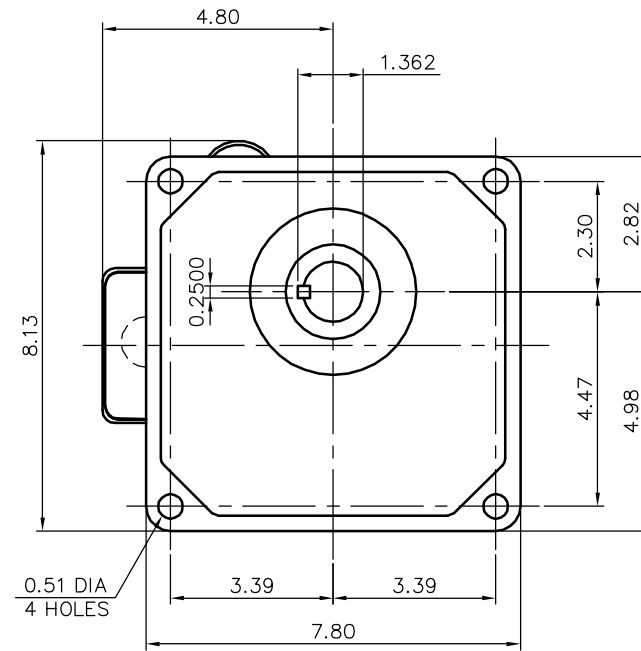
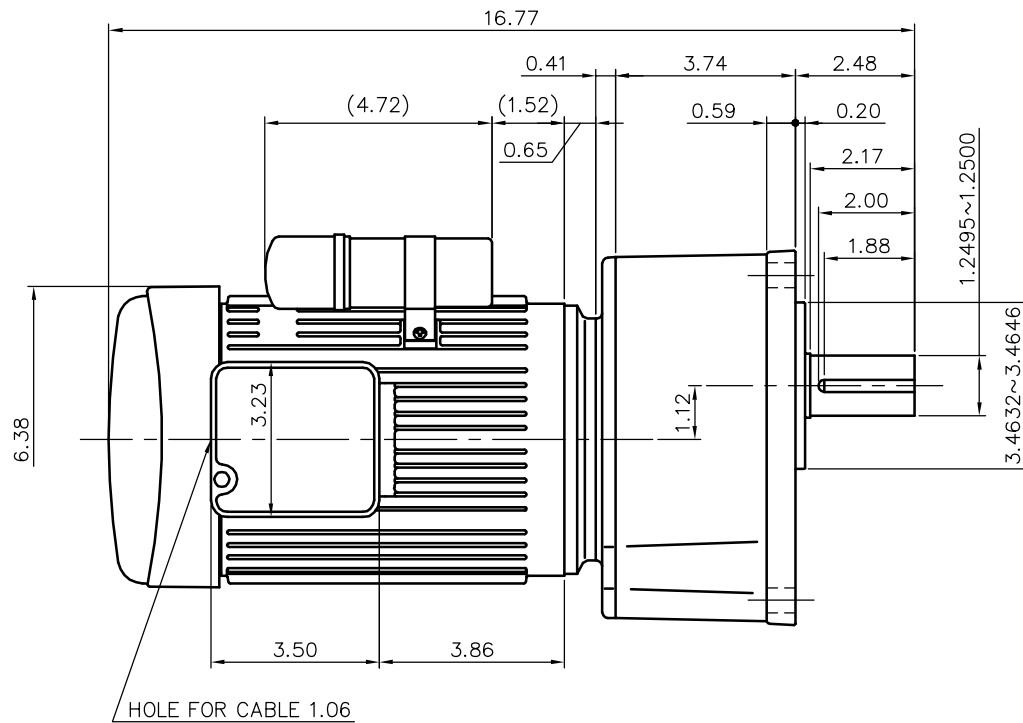


|           |
|-----------|
| REVISIONS |
|-----------|



MOTOR SPECIFICATION

|         |                                       |
|---------|---------------------------------------|
| TYPE    | 1-PHASE INDUCTION MOTOR               |
| FORM    | TOTALLY ENCLOSED FAN COOLED<br>TECA13 |
| OUT PUT | 1/2 HP                                |
| VOLTAGE | 230 V                                 |
| FREQ    | 50/60 Hz                              |
| POLES   | 4                                     |
| RATING  | CONT.                                 |

REDUCER SPECIFICATION

|             |                            |
|-------------|----------------------------|
| TYPE        | GTR                        |
| FORM        | 32                         |
| RATIO       | 1/100 1/120 1/160<br>1/200 |
| LUBRICATION | GREASE                     |

NOTE: THIS MOTOR IS AFFIXED WITH CE MARKING.  
 NOTE: BE SURE TO USE THE THERMAL RELAY WITH CE MARKING.  
 NOTE: THE GROUND LEAD SHOULD BE LONGER THAN THE SUPPLY LEAD FOR THE MOTOR.  
 NOTE: INSULATION : CLASS A  
 NOTE: THIS MOTOR IS UL CERTIFIED MODEL.(UL1004)  
 NOTE: UL-LISTED MODEL NAME: BML6S

|   |            |       |     |         |                 |
|---|------------|-------|-----|---------|-----------------|
| TITLE G3K32N100~200-BML6S<br>DIMENSION OF MODEL |            |       |     |         |                 |
| DRAWING NO. G3K32N-BML6S                        |            |       |     |         |                 |
| USER  |            |       |     |         |                 |
| NOTICE  |            |       |     |         |                 |
| APPROVE   | K.Nagasaka | SCALE | 1/4 | UNIT in | DATE 2008.01.09 |
| CHECK   | Y.Shiina   |       |     |         |                 |
| DESIGN  | M.Yoshida  |       |     |         |                 |
| NISSEI CORPORATION                              |            |       |     |         |                 |