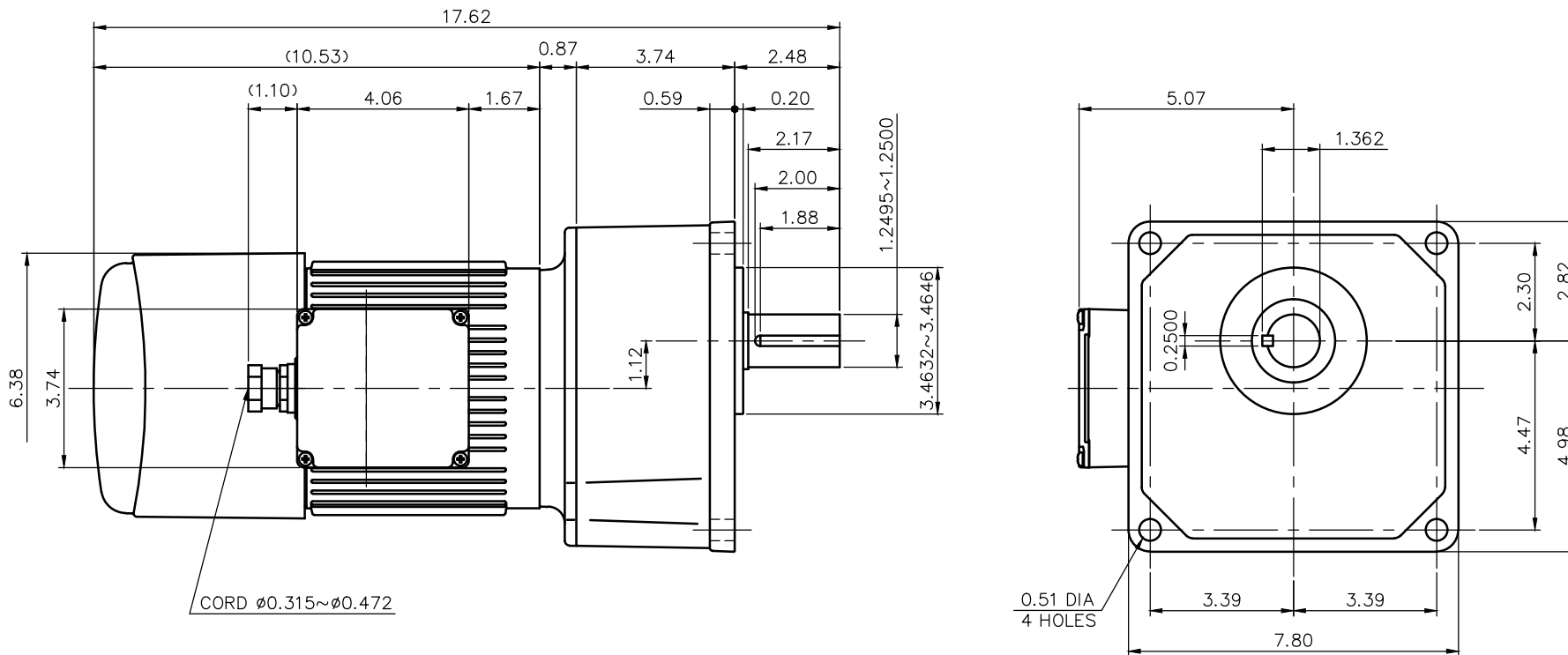


REVISIONS



CORD $\phi 0.315 \sim \phi 0.472$

0.51 DIA
4 HOLES

NOTE: THE RATING OF ENCLOSURE CLASS:
IP65 (EN60034-5) EQUIVALENT.

NOTE: THE ATTACHED RECTIFIER IS USED FOR
DC POWER SUPPLY TO THE BRAKE COIL.

NOTE: THE BRAKE LEADS ARE PULLED INTO
THE TERMINAL BOX.

NOTE: OUTPUT SHAFT AND KEY MATERIAL: SUS420J2

NOTE: THIS MOTOR IS AFFIXED WITH CE MARKING.

NOTE: THE GROUND LEAD SHOULD BE LONGER THAN
THE SUPPLY LEAD FOR THE MOTOR.

NOTE: THIS MOTOR IS UL CERTIFIED MODEL.(UL1004-1)

NOTE: UL-LISTED MODEL NAME: WF5AWV4

BRAKE SPECIFICATION

TYPE	BSV-08U-180
BRAKE TYPE	SPRING CLOSE
INPUT VOLTAGE	DC 207V
POWER CONSUMPTION	33 W (at 75°C)
BRAKE TORQUE	52.0 in-lbs

MOTOR SPECIFICATION

TYPE	3-PHASE INDUCTION MOTOR
FORM	TOTALLY ENCLOSED FAN COOLED
OUT PUT	3/4 HP
VOLTAGE	208/230/460/400 V
FREQ.	60/60/60/50 Hz
POLES	4
ROTATIONAL FREQUENCY	1800/1800/1800/1500 rpm
RATING	S1 CONT.
INS.CLASS	F

REDUCER SPECIFICATION

TYPE	GTR
FORM	32
RATIO	1/30 1/40 1/50 1/60
LUBRICATION	GREASE

TITLE					G3K32S30~80-WF5AWV4				
					DIMENSION OF MODEL				
DRAWING NO.					G3K32S-WF5AWV4				
USER									
NOTICE									
APPROVE	Y.Ikeda	SCALE	1/4		UNIT	DATE			
CHECK	Y.Sanji				in	2016.10.16			
DESIGN	A.Kubota				NISSEI CORPORATION				