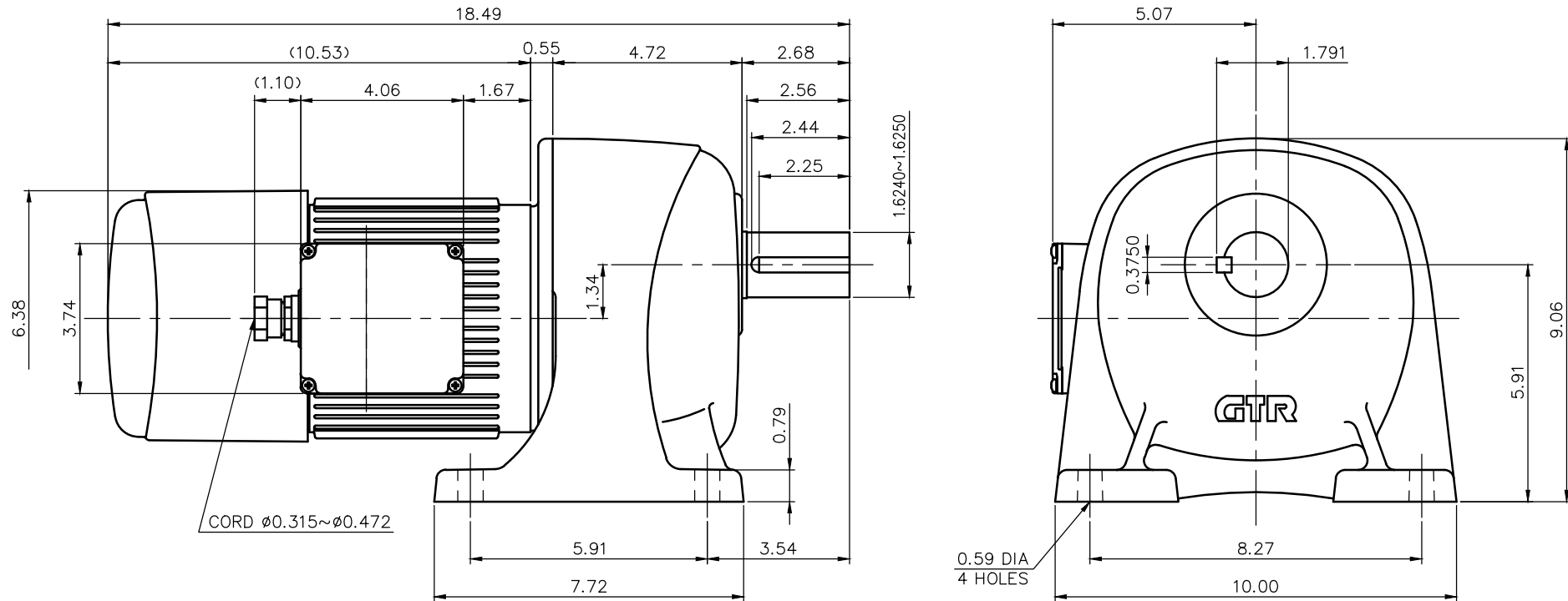


REVISIONS



NOTE: THE RATING OF ENCLOSURE CLASS:
IP65 (EN60034-5) EQUIVALENT.
NOTE: THE ATTACHED RECTIFIER IS USED FOR
DC POWER SUPPLY TO THE BRAKE COIL.
NOTE: THE BRAKE LEADS ARE PULLED INTO
THE TERMINAL BOX.

NOTE: OUTPUT SHAFT AND KEY MATERIAL: SUS420J2
NOTE: THIS MOTOR IS AFFIXED WITH CE MARKING.
NOTE: THE GROUND LEAD SHOULD BE LONGER THAN
THE SUPPLY LEAD FOR THE MOTOR.
NOTE: THIS MOTOR IS UL CERTIFIED MODEL.(UL1004-1)
NOTE: UL-LISTED MODEL NAME: WF5AWV4

BRAKE SPECIFICATION

TYPE	BSV-08U-180
BRAKE TYPE	SPRING CLOSE
INPUT VOLTAGE	DC 207V
POWER CONSUMPTION	33 W (at 75°C)
BRAKE TORQUE	52.0 in-lbs

MOTOR SPECIFICATION

TYPE	3-PHASE INDUCTION MOTOR
FORM	TOTALLY ENCLOSED FAN COOLED
OUT PUT	3/4 HP
VOLTAGE	208/230/460/400 V
FREQ.	60/60/60/50 Hz
POLES	4
ROTATIONAL FREQUENCY	1800/1800/1800/1500 rpm
RATING	S1 CONT.
INS.CLASS	F

REDUCER SPECIFICATION

TYPE	GTR
FORM	40
RATIO	1/100 1/120 1/160
LUBRICATION	GREASE

TITLE G3L40S100~200-WF5AWV4
DIMENSION OF MODEL

DRAWING NO. G3L40S-WF5AWV4

USER

NOTICE

APPROVE	Y.Ikeda	SCALE 1/4		UNIT in	DATE 2016.10.16
CHECK	Y.Sanji				
DESIGN	A.Kubota				
NISSEI CORPORATION					