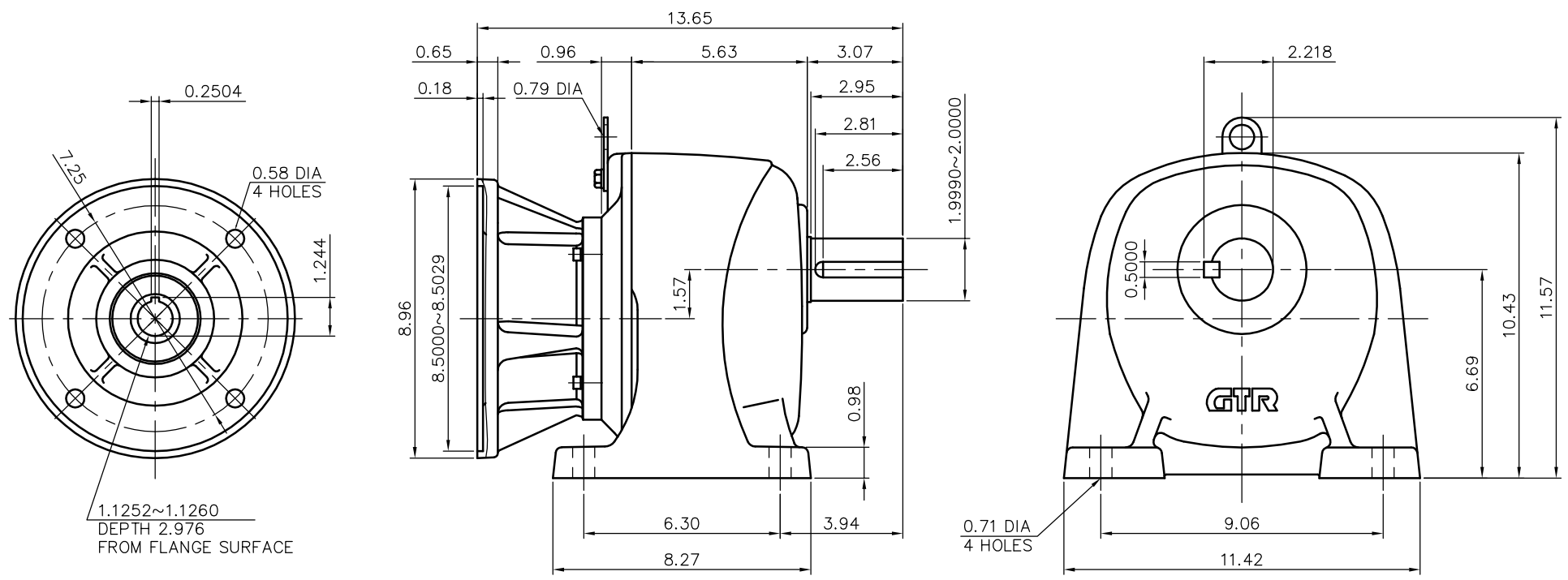


REVISIONS



REDUCER SPECIFICATION

TYPE	GTR			
FORM	50			
RATIO	1/30	1/40	1/50	1/60
	1/80	1/100		
LUBRICATION	GREASE			
CORRESPONDING MOTOR CAPACITY AT 4POLES				3 HP

TITLE	G3L50N030~100-NER DIMENSION OF MODEL				
DRAWING NO.	G3L50N-NER				
USER					
NOTICE					
APPROVE	H.Hayashi	SCALE		UNIT	DATE
CHECK	A.Hayakawa	1/5		in	2017.08.28
DESIGN	M.Suzuki	NISSEI CORPORATION			