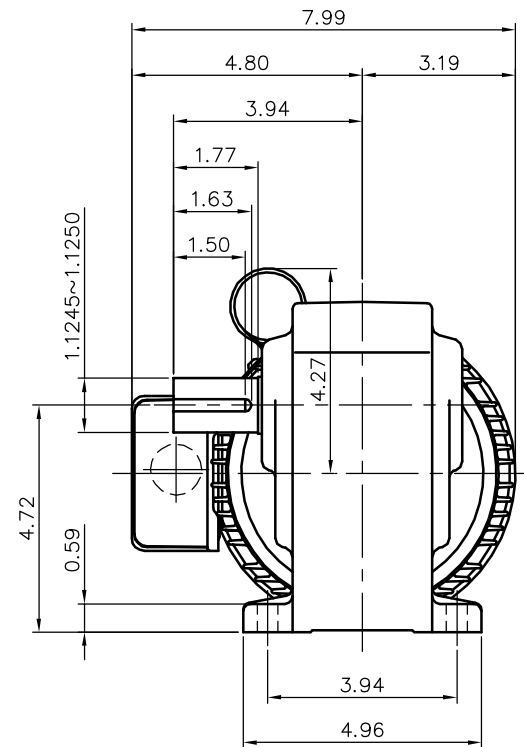
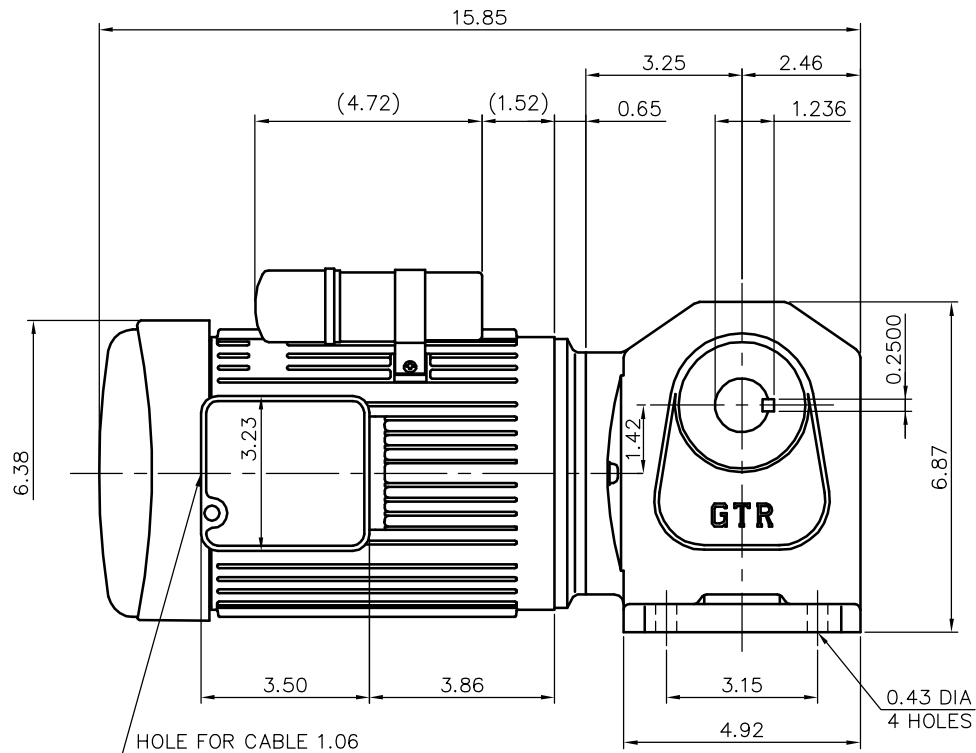


REVISIONS



NOTE: THIS MOTOR IS AFFIXED WITH CE MARKING.
 NOTE: BE SURE TO USE THE THERMAL RELAY WITH CE MARKING.
 NOTE: THE GROUND LEAD SHOULD BE LONGER THAN THE SUPPLY LEAD FOR THE MOTOR.
 NOTE: INSULATION : CLASS A
 NOTE: THIS MOTOR IS UL CERTIFIED MODEL.(UL1004)
 NOTE: UL-LISTED MODEL NAME: BML1S

MOTOR SPECIFICATION

TYPE	1-PHASE INDUCTION MOTOR
FORM	TOTALLY ENCLOSED FAN COOLED TECA13
OUT PUT	1/2 HP
VOLTAGE	115 V
FREQ	50/60 Hz
POLES	4
RATING	CONT.

REDUCER SPECIFICATION

TYPE	GTR
FORM	28R
RATIO	1/5 1/10 1/15 1/20
	1/25 1/30 1/40 1/50
LUBRICATION	GREASE

TITLE H2L28R005~060-BML1S DIMENSION OF MODEL					
DRAWING NO. H2L28R-BML1S					
USER					
NOTICE					
APPROVE	K.Nagasaka	SCALE	1/4	UNIT in	DATE 2008.02.15
CHECK	Y.Shiina				
DESIGN	M.Yoshida				
NISSEI CORPORATION					