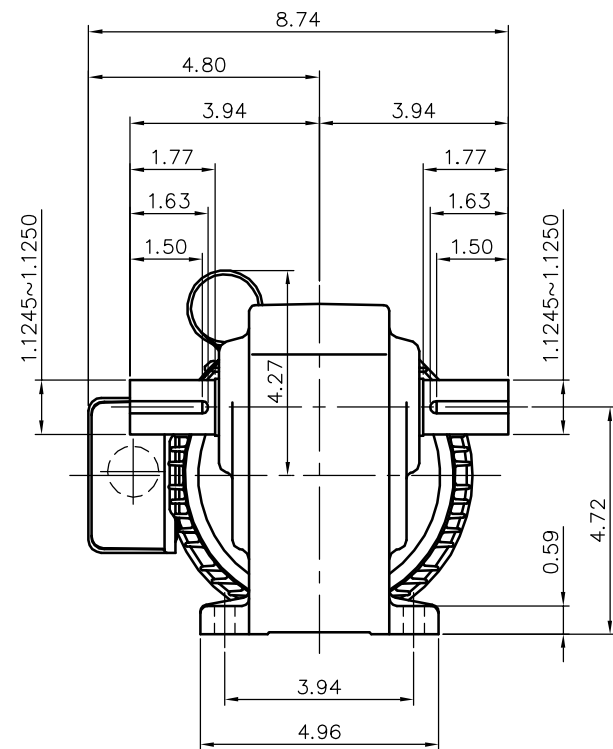
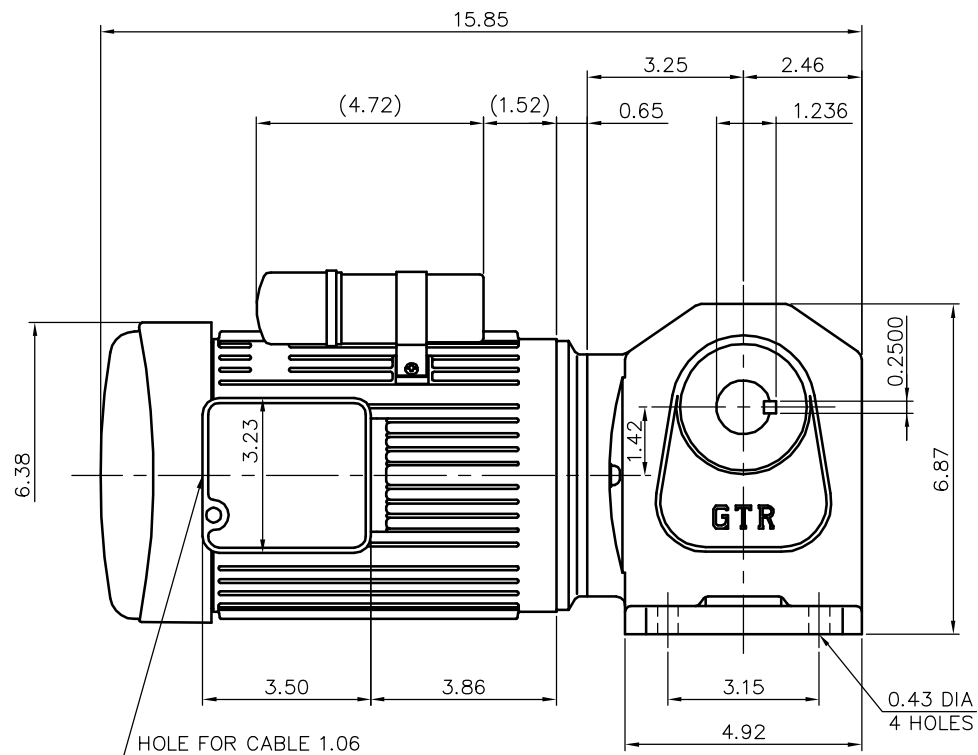


REVISIONS



MOTOR SPECIFICATION

TYPE	1-PHASE INDUCTION MOTOR
FORM	TOTALLY ENCLOSED FAN COOLED TECA13
OUT PUT	1/2 HP
VOLTAGE	220 V
FREQ	50/60 Hz
POLES	4
RATING	CONT.

REDUCER SPECIFICATION

TYPE	GTR
FORM	28T
RATIO	1/5 1/10 1/15 1/20
	1/25 1/30 1/40 1/50
	1/60
LUBRICATION	GREASE

NOTE: THIS MOTOR IS AFFIXED WITH CE MARKING.  
 NOTE: BE SURE TO USE THE THERMAL RELAY WITH CE MARKING.  
 NOTE: THE GROUND LEAD SHOULD BE LONGER THAN THE SUPPLY LEAD FOR THE MOTOR.  
 NOTE: INSULATION : CLASS A  
 NOTE: THIS MOTOR IS UL CERTIFIED MODEL.(UL1004)  
 NOTE: UL-LISTED MODEL NAME: BML5S

TITLE H2L28T005~060-BML5S DIMENSION OF MODEL				
DRAWING NO. H2L28T-BML5S				
USER				
NOTICE				
APPROVE	K.Nagasaka	SCALE 1/4	UNIT in	DATE 2008.02.15
CHECK	Y.Shiina			
DESIGN	M.Yoshida			
			NISSEI CORPORATION	