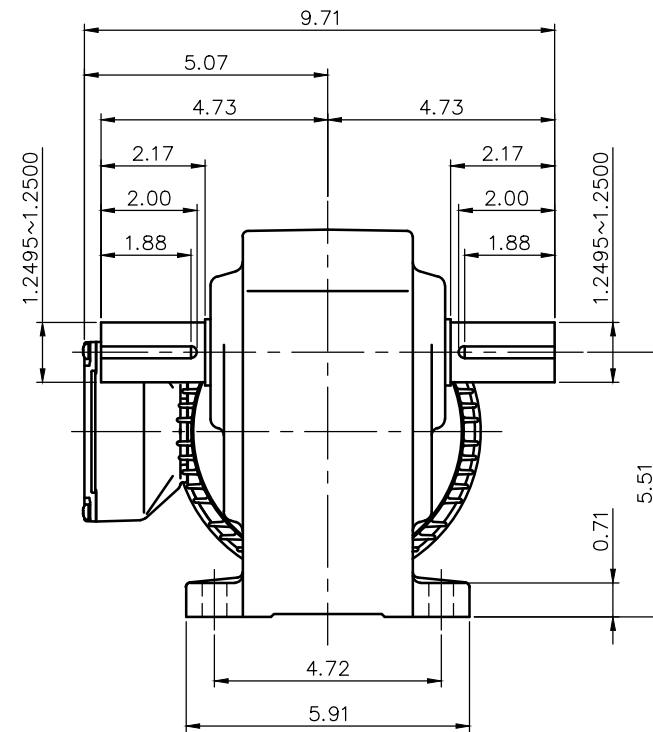
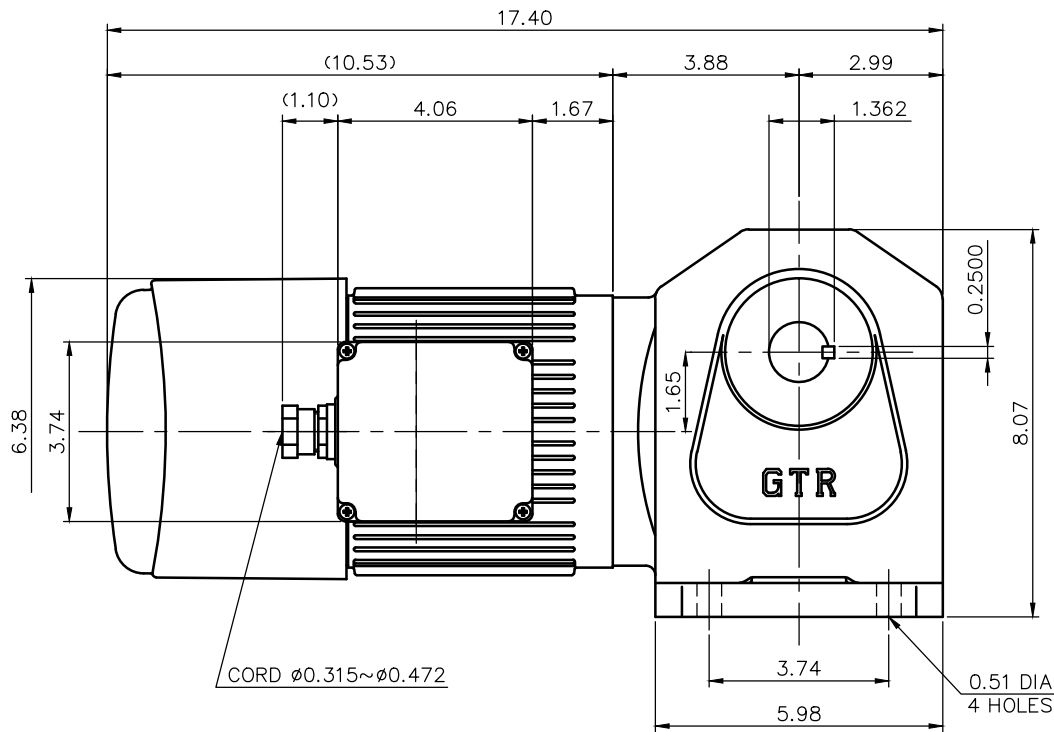


REVISIONS



NOTE: THE RATING OF ENCLOSURE CLASS:  
IP65 (EN60034-5) EQUIVALENT.  
NOTE: THE ATTACHED RECTIFIER IS USED FOR  
DC POWER SUPPLY TO THE BRAKE COIL.  
NOTE: THE BRAKE LEADS ARE PULLED INTO  
THE TERMINAL BOX.

NOTE: OUTPUT SHAFT AND KEY MATERIAL: SUS420J2  
NOTE: THIS MOTOR IS AFFIXED WITH CE MARKING.  
NOTE: THE GROUND LEAD SHOULD BE LONGER THAN  
THE SUPPLY LEAD FOR THE MOTOR.  
NOTE: THIS MOTOR IS UL CERTIFIED MODEL.(UL1004-1)  
NOTE: UL-LISTED MODEL NAME: WF5AWV2

BRAKE SPECIFICATION

TYPE	BSV-08U
BRAKE TYPE	SPRING CLOSE
INPUT VOLTAGE	DC 104V
POWER CONSUMPTION	30 W (at 75°C)
BRAKE TORQUE	52.0 in-lbs

MOTOR SPECIFICATION

TYPE	3-PHASE INDUCTION MOTOR
FORM	TOTALLY ENCLOSED FAN COOLED
OUT PUT	3/4 HP
VOLTAGE	208/230/460/400 V
FREQ.	60/60/60/50 Hz
POLES	4
ROTATIONAL FREQUENCY	1800/1800/1800/1500 rpm
RATING	S1 CONT.
INS.CLASS	F

REDUCER SPECIFICATION

TYPE	GTR
FORM	32B
RATIO	1/5 1/10 1/15 1/20
	1/25 1/30 1/40 1/50
	1/60
LUBRICATION	GREASE

TITLE H2L32B5~60-WF5AWV2					
DIMENSION OF MODEL					
DRAWING NO. H2L32B-WF5AWV2					
USER					
NOTICE					
APPROVE	Y.Ikeda	SCALE	1/4	UNIT in	DATE 2016.10.16
CHECK	Y.Sanji				
DESIGN	A.Kubota				
			NISSEI CORPORATION		