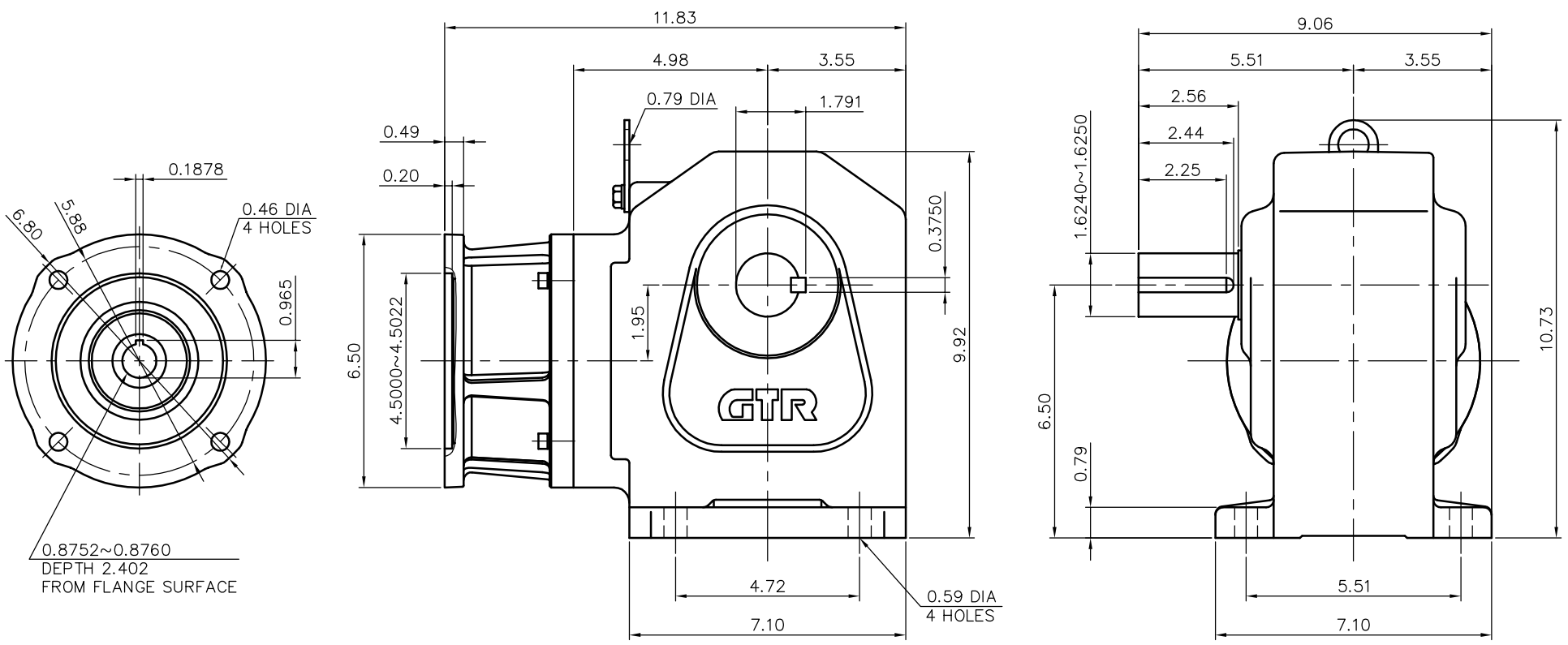


REVISIONS



REDUCER SPECIFICATION

TYPE	GTR				
FORM	40R				
RATIO	1/5	1/10	1/15	1/20	1/25
	1/30	1/40	1/50	1/60	
LUBRICATION	GREASE				
CORRESPONDING MOTOR CAPACITY AT 4POLES					2 HP

TITLE	H2L40R005~060-NDP DIMENSION OF MODEL				
DRAWING NO.	H2L40R-NDP				
USER					
NOTICE					
APPROVE	H.Hayashi	SCALE		UNIT	DATE
CHECK	A.Hayakawa	1/4		in	2017.08.28
DESIGN	M.Suzuki	NISSEI CORPORATION			

0.8752~0.8760
DEPTH 2.402
FROM FLANGE SURFACE