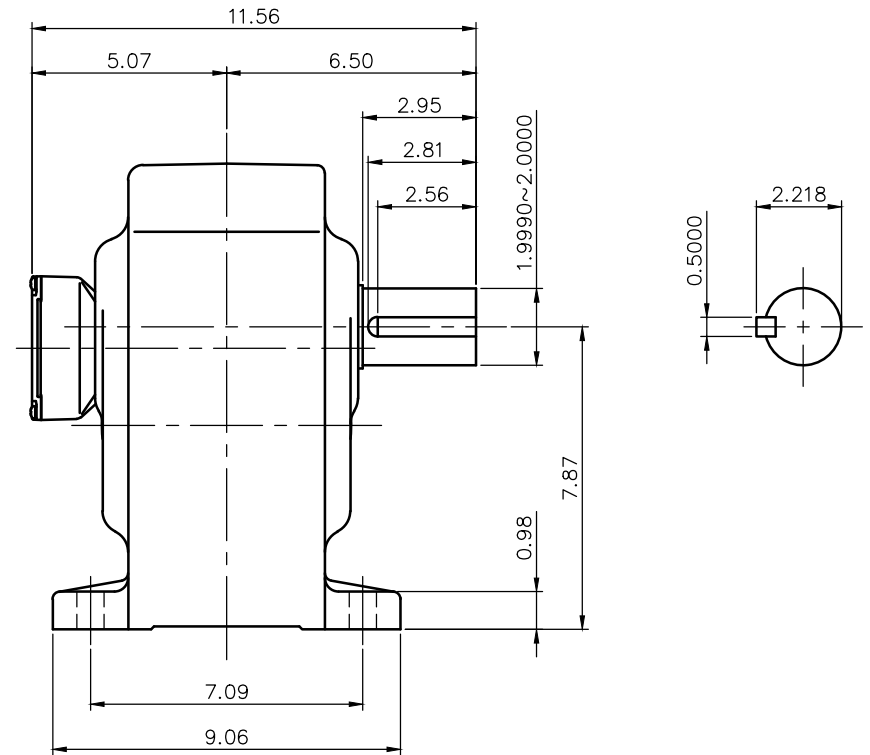
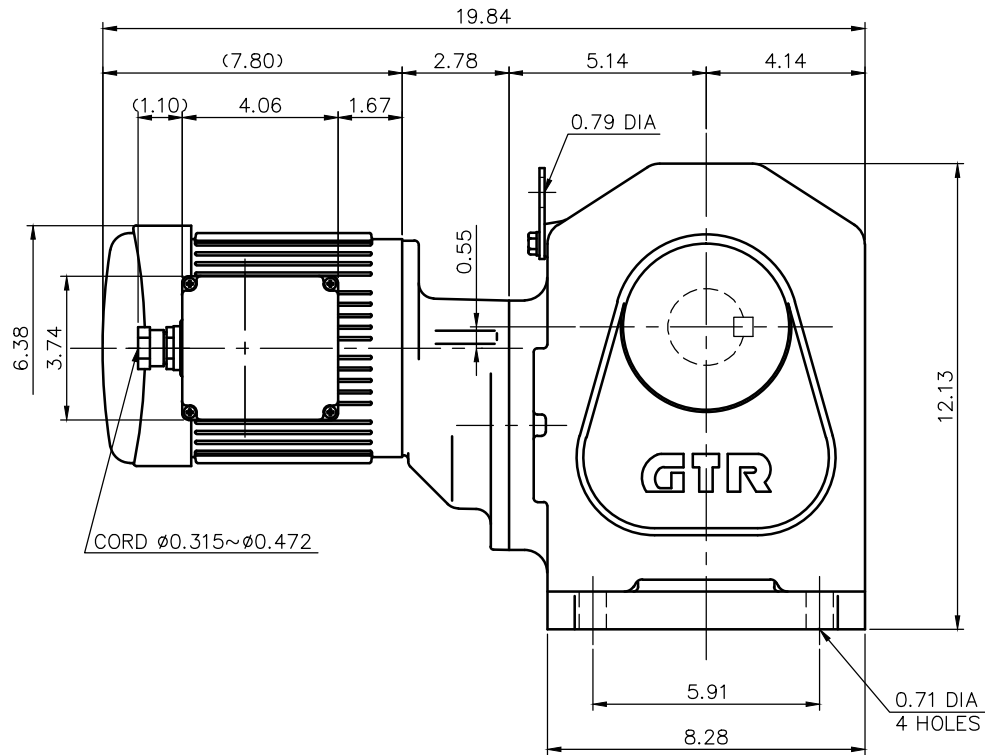


REVISIONS



NOTE: THE RATING OF ENCLOSURE CLASS:  
IP65 (EN60034-5) EQUIVALENT.

NOTE: OUTPUT SHAFT AND KEY MATERIAL: SUS420J2  
NOTE: THIS MOTOR IS AFFIXED WITH CE MARKING.  
NOTE: THE GROUND LEAD SHOULD BE LONGER THAN  
THE SUPPLY LEAD FOR THE MOTOR.  
NOTE: THIS MOTOR IS UL CERTIFIED MODEL.(UL1004-1)  
NOTE: UL-LISTED MODEL NAME: WF5AWN

MOTOR SPECIFICATION

TYPE	3-PHASE INDUCTION MOTOR
FORM	TOTALLY ENCLOSED FAN COOLED
OUT PUT	3/4 HP
VOLTAGE	208/230/460/400 V
FREQ.	60/60/60/50 Hz
POLES	4
ROTATIONAL FREQUENCY	1800/1800/1800/1500 rpm
RATING	S1 CONT.
INS.CLASS	F

REDUCER SPECIFICATION

TYPE	GTR
FORM	50H
RATIO	1/300 1/375 1/450
LUBRICATION	GREASE

TITLE H2L50H300~450-WF5AWN DIMENSION OF MODEL				
DRAWING NO. H2L50H-WF5AWN				
USER				
NOTICE				
APPROVE	Y.Ikeda	SCALE 1/5	UNIT in	DATE 2016.10.16
CHECK	Y.Sanji			
DESIGN	A.Kubota			
NISSEI CORPORATION				