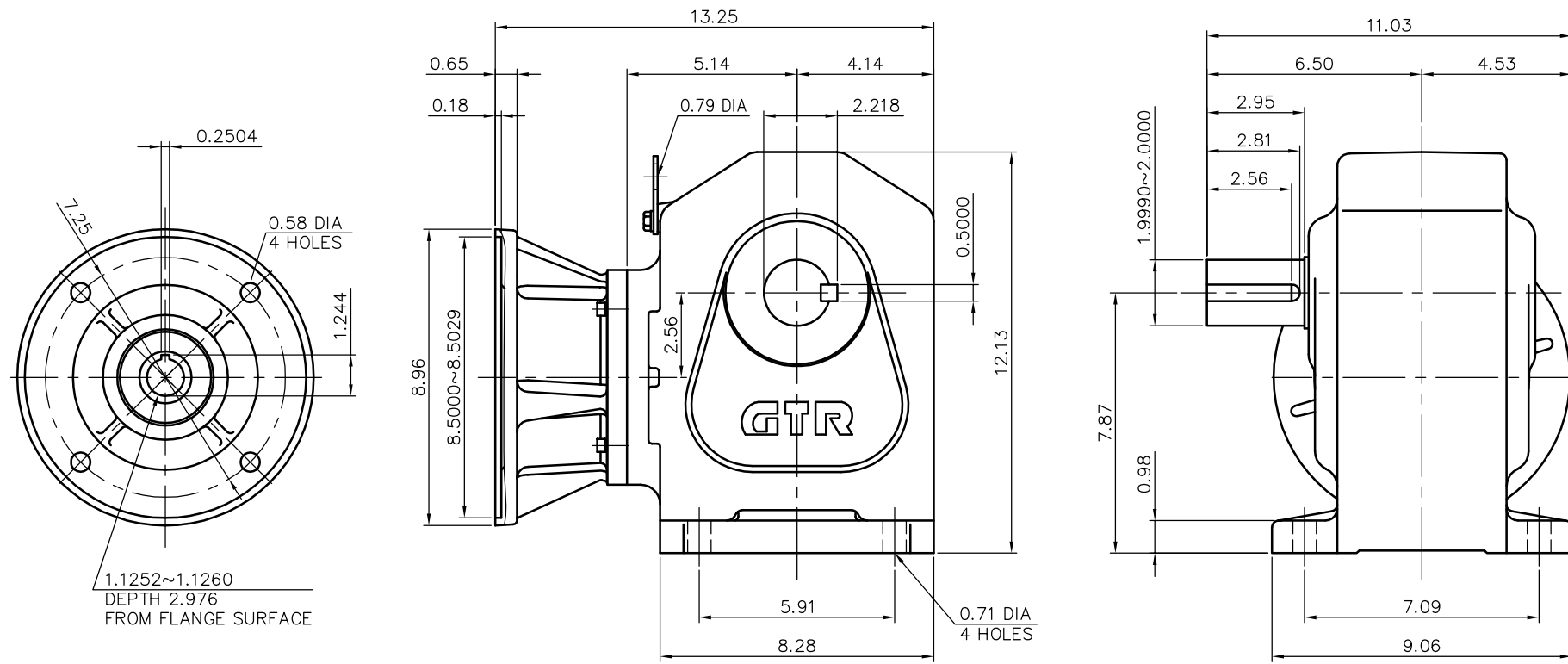


REVISIONS



REDUCER SPECIFICATION

TYPE	GTR				
FORM	50R				
RATIO	1/5	1/10	1/15	1/20	
	1/25	1/30	1/40	1/50	
	1/60	1/80	1/100	1/120	
LUBRICATION GREASE					
CORRESPONDING MOTOR CAPACITY AT 4POLES					3 HP

TITLE		H2L50R005~120-NER DIMENSION OF MODEL			
DRAWING NO. H2L50R-NER					
USER					
NOTICE					
APPROVE	H.Hayashi	SCALE		UNIT	DATE
CHECK	A.Hayakawa	1/5		in	2017.08.28
DESIGN	M.Suzuki	NISSEI CORPORATION			