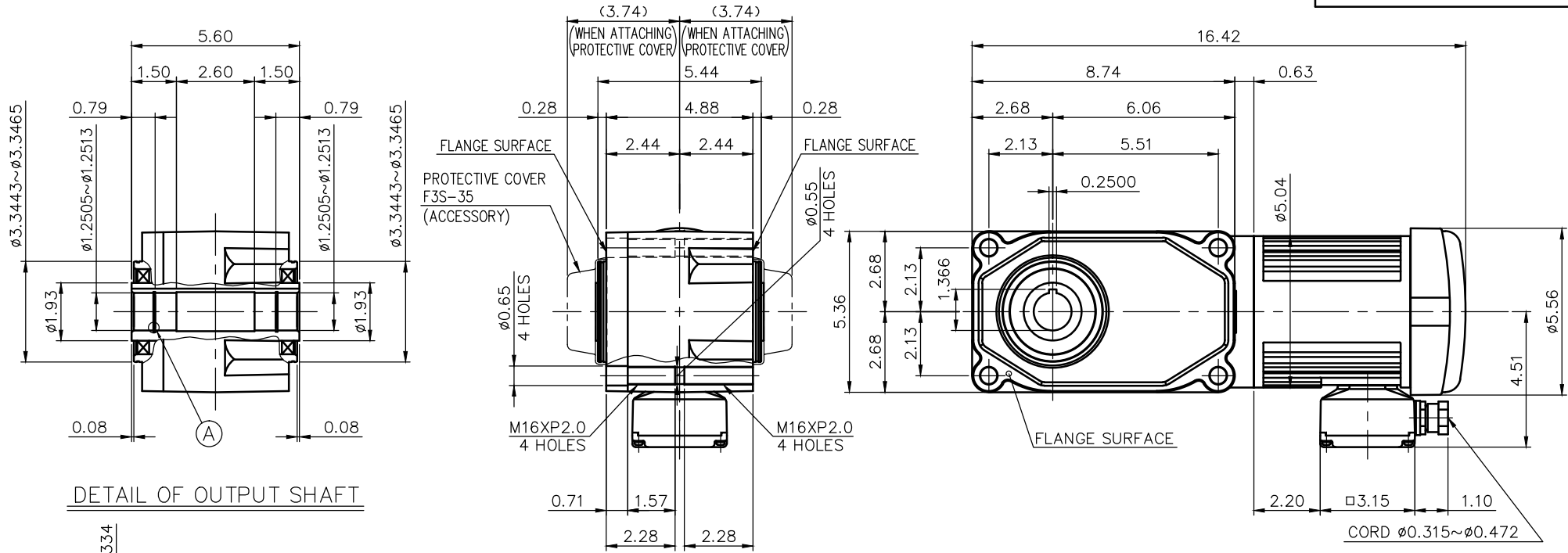


REVISIONS



DETAIL OF OUTPUT SHAFT

DETAIL OF : A

MOTOR SPECIFICATION

TYPE	3-PHASE INDUCTION MOTOR
FORM	TOTALLY ENCLOSED FAN COOLED
OUT PUT	1/2 HP
VOLTAGE	208/230/460/400 V
FREQ.	60/60/60/50 Hz
POLES	4
ROTATIONAL FREQUENCY	1800/1800/1800/1500 rpm
RATING	S1 CONT.
INS.CLASS	F

REDUCER SPECIFICATION

TYPE	GTR
FORM	35
RATIO	1/80 1/100 1/120 1/160 1/200 1/240
LUBRICATION	GREASE

NOTE: THE RATING OF ENCLOSURE CLASS: IP65 (EN60034-5) EQUIVALENT.
 NOTE: OUTPUT SHAFT MATERIAL: SUS420J2
 NOTE: THIS MOTOR IS AFFIXED WITH CE MARKING.
 NOTE: THE GROUND LEAD SHOULD BE LONGER THAN THE SUPPLY LEAD FOR THE MOTOR.
 NOTE: THIS MOTOR IS UL CERTIFIED MODEL.(UL1004-1)
 NOTE: UL-LISTED MODEL NAME: WF4AEN

TITLE		F3S35S80~240-WF4AEN			
DRAWING NO.		F3S35S-WF4AEN			
USER					
NOTICE					
APPROVE	Y.Ikeda	SCALE	1/5	UNIT in	DATE 2015.07.15
CHECK	M.Iijima				
DESIGN	Y.Miura				
NISSEI CORPORATION					