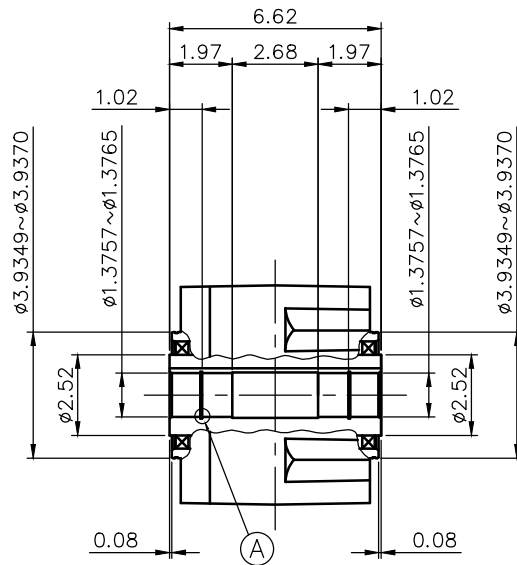
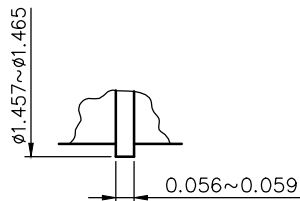


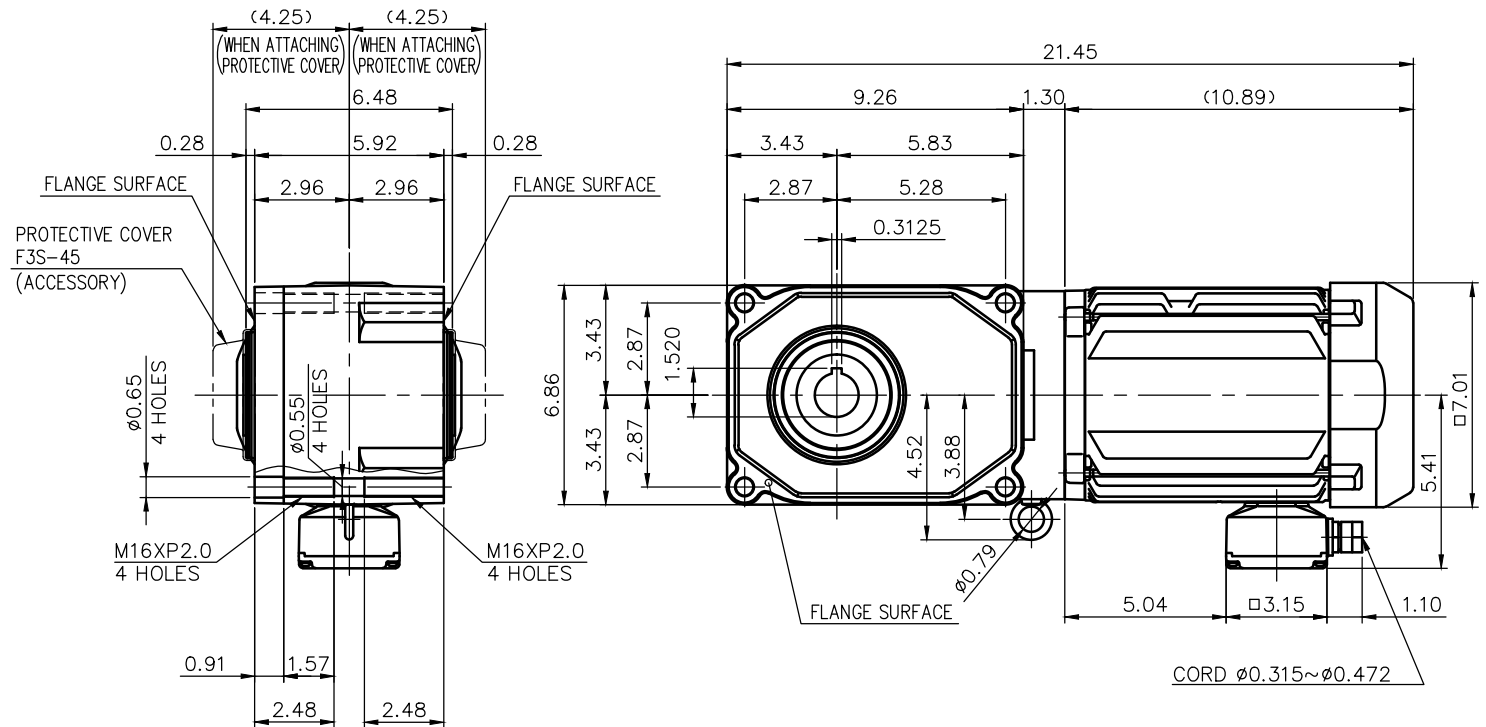
REVISIONS



DETAIL OF OUTPUT SHAFT



DETAIL OF : A



MOTOR SPECIFICATION

| | |
|----------------------|--------------------------------|
| TYPE | 3-PHASE INDUCTION MOTOR |
| FORM | TOTALLY ENCLOSED FAN COOLED P8 |
| OUT PUT | 2 HP |
| VOLTAGE | 208/230/460/400 V |
| FREQ. | 60/60/60/50 Hz |
| POLES | 4 |
| ROTATIONAL FREQUENCY | 1800/1800/1800/1500 rpm |
| EFFICIENCY CLASS | IE3 EN60034-30 Standard |
| RATING | S1 CONT. |
| INS.CLASS | F |

REDUCER SPECIFICATION

| | |
|-------------|--|
| TYPE | GTR |
| FORM | 45 |
| RATIO | 1/5 1/7.5 1/10 1/12.5 1/15 1/20 1/25 1/30 1/40 1/50 1/60 |
| LUBRICATION | GREASE |

NOTE: THIS MOTOR IS AFFIXED WITH CE MARKING.
 NOTE: THE GROUND LEAD SHOULD BE LONGER THAN THE SUPPLY LEAD FOR THE MOTOR.
 NOTE: THIS MOTOR IS UL CERTIFIED MODEL. (UL1004-1)
 NOTE: UL-LISTED MODEL NAME: MV8AEN

| | | | | | |
|--------------------|----------|---|-----|------------|--------------------|
| TITLE | | F3S45N5~60-MV8AEN DIMENSION OF MODEL | | | |
| DRAWING NO. | | F3S45N-MV8AEN | | | |
| USER | | | | | |
| NOTICE | | | | | |
| APPROVE | Y.Ikeda | SCALE | 1/6 | UNIT in | DATE 2015.05.01 |
| CHECK | M.Iijima | | | | |
| DESIGN | Y.Miura | | | | |
| NISSEI CORPORATION | | | | | |