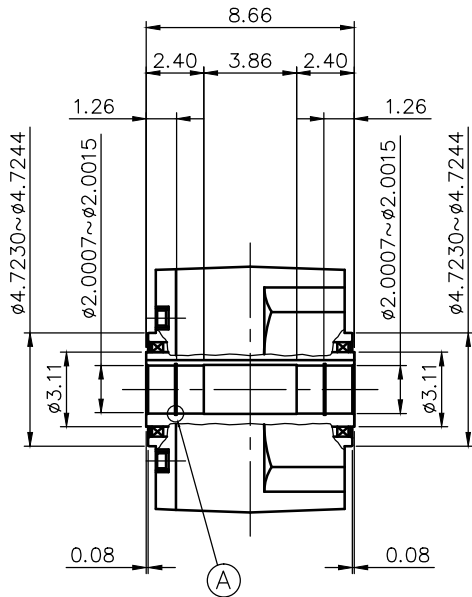
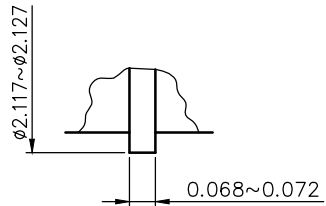


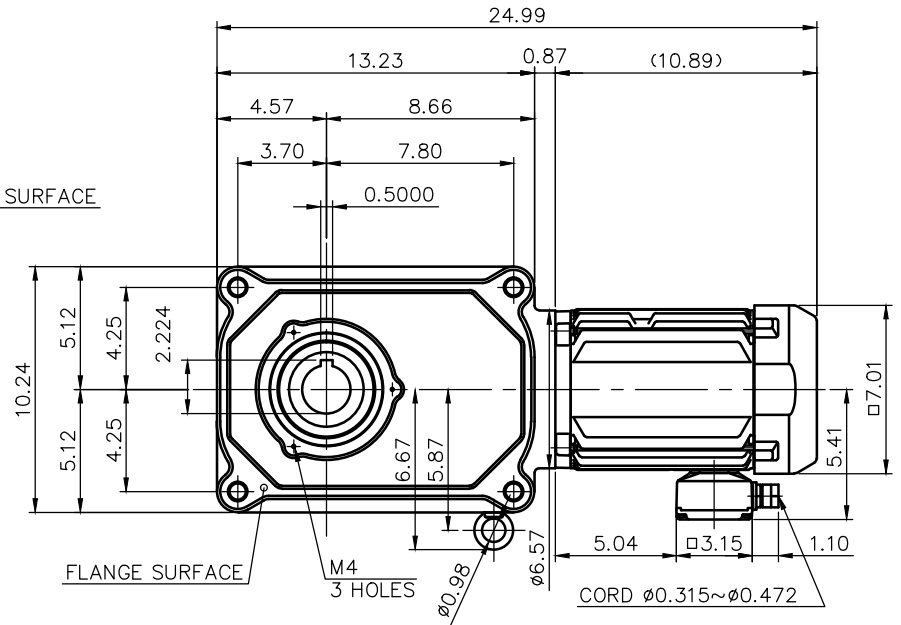
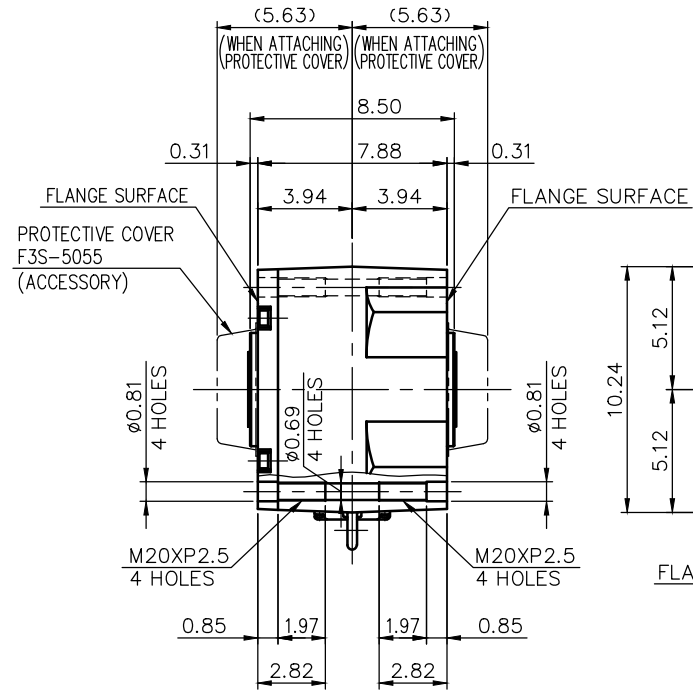
REVISIONS



DETAIL OF OUTPUT SHAFT



DETAIL OF : A



MOTOR SPECIFICATION

TYPE	3-PHASE INDUCTION MOTOR
FORM	TOTALLY ENCLOSED FAN COOLED P8
OUT PUT	2 HP
VOLTAGE	208/230/460/400 V
FREQ.	60/60/60/50 Hz
POLES	4
ROTATIONAL FREQUENCY	1800/1800/1800/1500 rpm
EFFICIENCY CLASS	IE3 EN60034-30 Standard
RATING	S1 CONT.
INS.CLASS	F

REDUCER SPECIFICATION

TYPE	GTR
FORM	55
RATIO	1/80 1/100 1/120 1/160 1/200 1/240
LUBRICATION	GREASE

NOTE: FIX THE PROTECTIVE COVER (ACCESSORY)
ON M4 (3 HOLES) USE ROUND-HEAD SCREWS
(ACCESSORY,3PCE)
NOTE: THIS MOTOR IS AFFIXED WITH CE MARKING.
NOTE: THE GROUND LEAD SHOULD BE LONGER THAN
THE SUPPLY LEAD FOR THE MOTOR.
NOTE: THIS MOTOR IS UL CERTIFIED MODEL. (UL1004-1)
NOTE: UL-LISTED MODEL NAME: MV8AEN

TITLE					F3S55N080~240-MV8AEN DIMENSION OF MODEL				
DRAWING NO.					F3S55N-MV8AEN				
USER									
NOTICE									
APPROVE	Y.Ikeda	SCALE	1/8		UNIT	in	DATE	2015.05.01	NISSEI CORPORATION
CHECK	M.Iijima								
DESIGN	Y.Miura								