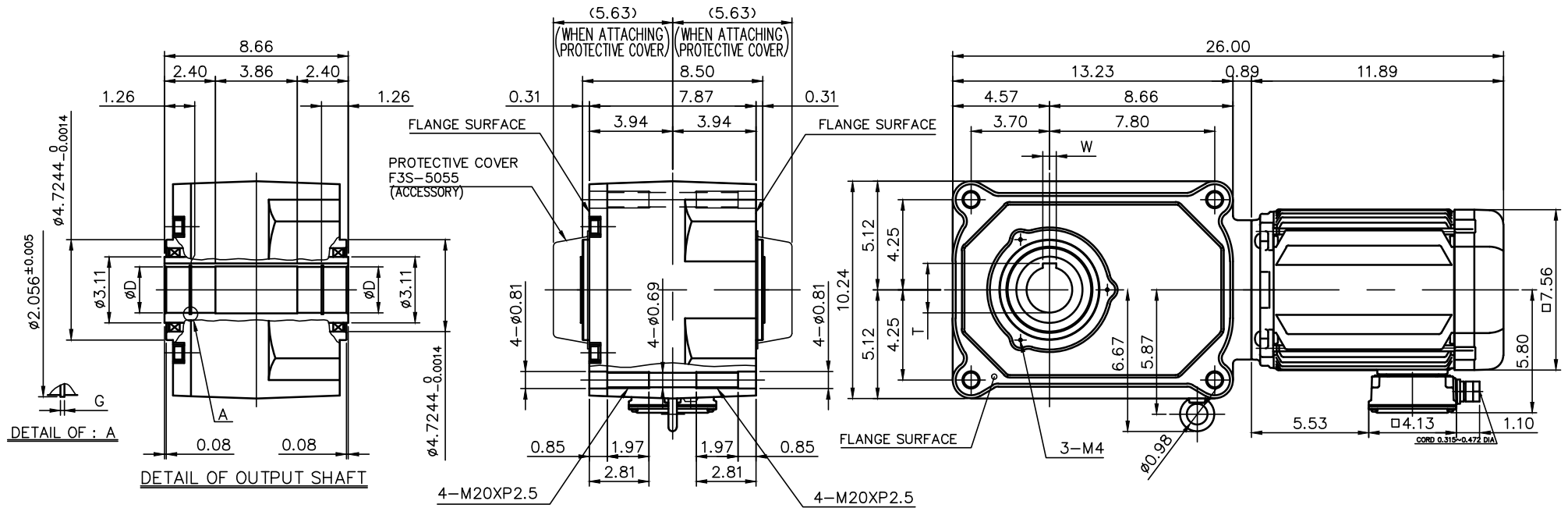


REVISIONS



| モータ仕様 MOTOR SPECIFICATION | |
|---------------------------|--|
| 名称 TYPE | 三相誘導電動機 THREE PHASE INDUCTION MOTOR |
| 冷却方式 COOLING METHOD | 全閉外扇形 TOTALLY ENCLOSED FAN COOLED |
| 出力 MOTOR POWER | 3 HP (2.2 kW) |
| 定格 RATING | S1 CONT. |
| 耐熱劣化 INS. CLASS | F |
| 保護構造 IP RATING | IP65 |

| モータ仕様 MOTOR SPECIFICATION | | | | | | |
|---------------------------|------------|---------------|---------------------|-------------------|--------------------------|----------------------------|
| ** | 電圧 VOLTAGE | 周波数 FREQUENCY | 回転速度 ROTATION SPEED | 電流値 CURRENT VALUE | 対応規格 COMPLIANT STANDARDS | 高効率認証 EFFICIENCY STANDARDS |
| AV | 208 V | 60 Hz | 1750 r/min | 8.3 A | UL/cUL/CE | <IE3> USA/CANADA |
| | 230 V | 60 Hz | 1770 r/min | 7.9 A | | |
| | 460 V | 60 Hz | 1770 r/min | 4.0 A | | |
| | 400 V | 50 Hz | 1470 r/min | 4.5 A | | |
| EV | 415 V | 50 Hz | 1460 r/min | 4.3 A | UL/cUL | |
| | 440 V | 50 Hz | 1470 r/min | 4.3 A | | |
| | 480 V | 60 Hz | 1770 r/min | 3.8 A | | |
| MA | 575 V | 60 Hz | 1760 r/min | 3.3 A | UL/cUL | |

| 減速機仕様 REDUCER SPECIFICATION | | |
|-----------------------------|--|--|
| 名称 TYPE | GTR | |
| 枠番 FRAME NO. | 55 | |
| 減速比 RATIO | 80 100 120 | |
| 潤滑 LUBRICATION | グリース GREASE | |
| 塗装 PAINT COLOR | グレー (マンセル値 9B6/0.5) GREY (MANSEL CODE: 9B6/0.5) | |

| 出力軸仕様 OUTPUT SHAFT SPECIFICATION | | | | | | |
|----------------------------------|-----------|------------------|--------------------|----------|-----------|----------|
| FRAME NO | D | STANDARD /OPTION | DIAMETER TOLERANCE | T | W | G |
| 55 | 2.0000 in | STANDARD | +0.0015/+0.0 | 2.224 in | 0.5000 in | 0.068 in |
| | 1.9375 in | OPTION | +0.0015/+0.0 | 2.161 in | 0.5000 in | 0.068 in |
| | 55 mm | OPTION | +0.046/+0.0 | 59.3 mm | 16 mm | 2.20 mm |

- 製品型式「□□□」は減速比によって入る文字数が変わります。
Number of characters on product model「□□□」, varies depending on the reduction ratio.
- 製品型式「**」には「AV」「EV」「MA」が入ります
Replace product model「**」 with 「AV」「EV」「MA」.
- 出力軸の材質は SUS420J2 を使用しています。
THE MATERIAL OF THE OUTPUT SHAFT IS SUS420J2.

| | | | | |
|-------------|-------------|--------------------------|-----|-----------------|
| TITLE | | F3S55S□□□-WB22T**EN | | |
| | | 外形寸法図 DIMENSION OF MODEL | | |
| DRAWING NO. | | F3S55S-WB22TEN | | |
| USER | | | | |
| NOTICE | | | | |
| APPROVE | H.Hayashi | SCALE | 1:7 | UNIT in |
| CHECK | M.Iijima | | | DATE 2020.03.31 |
| DESIGN | A.Kobayashi | NISSEI CORPORATION | | |