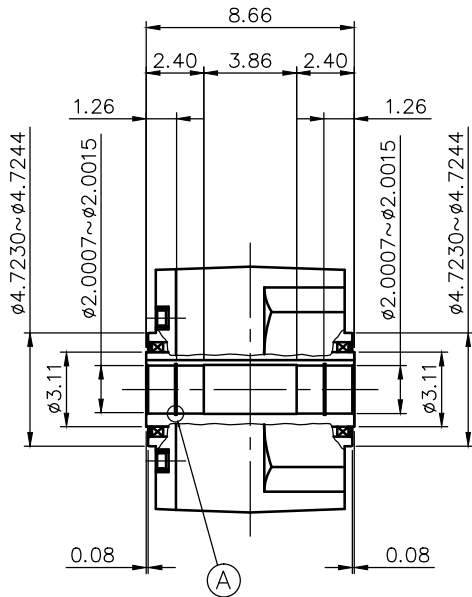
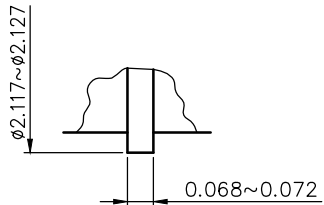


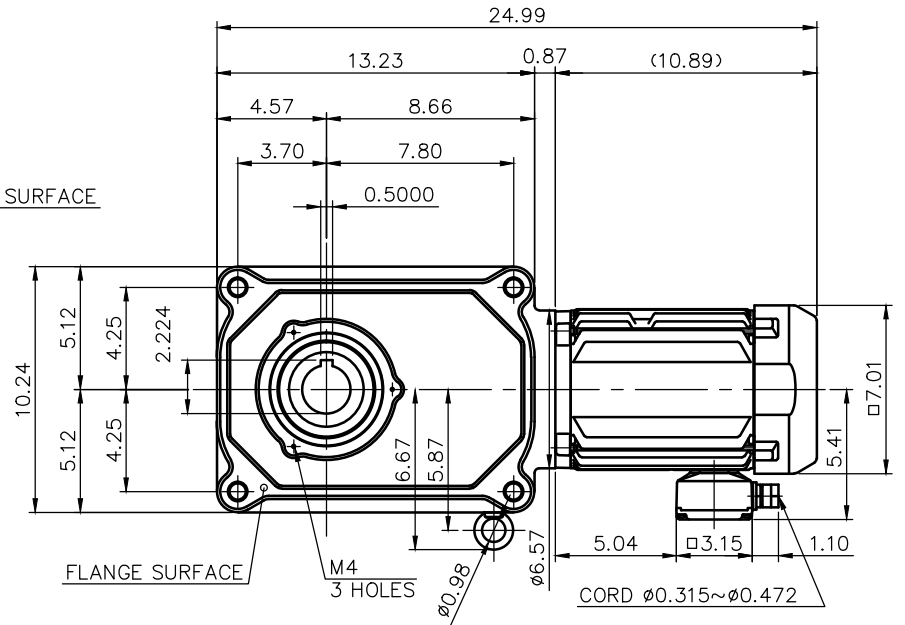
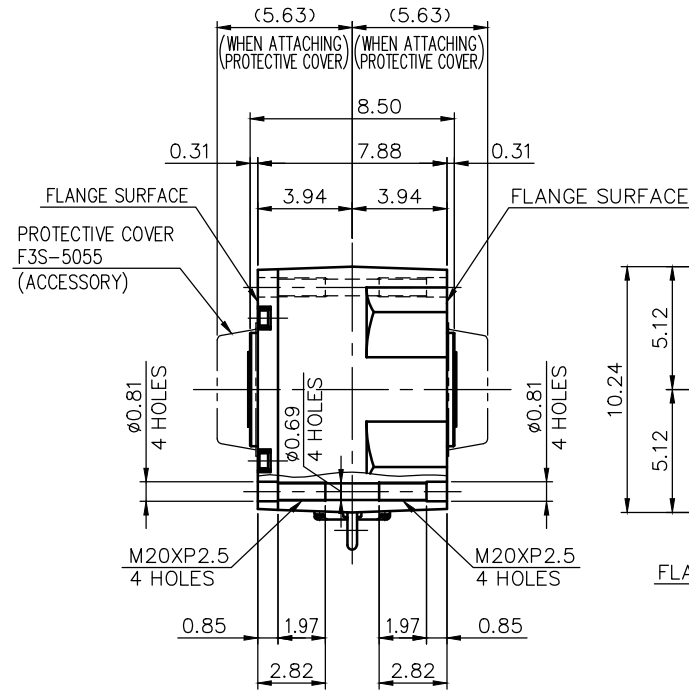
REVISIONS



DETAIL OF OUTPUT SHAFT



DETAIL OF : A



NOTE: THE RATING OF ENCLOSURE CLASS:  
IP65 (EN60034-5) EQUIVALENT.  
NOTE: OUTPUT SHAFT MATERIAL: SUS420J2

NOTE: FIX THE PROTECTIVE COVER (ACCESSORY)  
ON M4 (3 HOLES) USE ROUND-HEAD SCREWS  
(ACCESSORY,3PCE)  
NOTE: THIS MOTOR IS AFFIXED WITH CE MARKING.  
NOTE: THE GROUND LEAD SHOULD BE LONGER THAN  
THE SUPPLY LEAD FOR THE MOTOR.  
NOTE: THIS MOTOR IS UL CERTIFIED MODEL. (UL1004-1)  
NOTE: UL-LISTED MODEL NAME: WV8AEN

MOTOR SPECIFICATION

TYPE	3-PHASE INDUCTION MOTOR
FORM	TOTALLY ENCLOSED FAN COOLED P8
OUT PUT	2 HP
VOLTAGE	208/230/460/400 V
FREQ.	60/60/60/50 Hz
POLES	4
ROTATIONAL FREQUENCY	1800/1800/1800/1500 rpm
EFFICIENCY CLASS	IE3 EN60034-30 Standard
RATING	S1 CONT.
INS.CLASS	F

REDUCER SPECIFICATION

TYPE	GTR
FORM	55
RATIO	1/80 1/100 1/120 1/160 1/200 1/240
LUBRICATION	GREASE

TITLE F3S55S080~240-WV8AEN DIMENSION OF MODEL					
DRAWING NO.		F3S55S-WV8AEN			
USER					
NOTICE					
APPROVE	Y.Ikeda	SCALE	1/8	UNIT in	DATE 2015.05.01
CHECK	M.Iijima				
DESIGN	Y.Miura				
NISSEI CORPORATION					