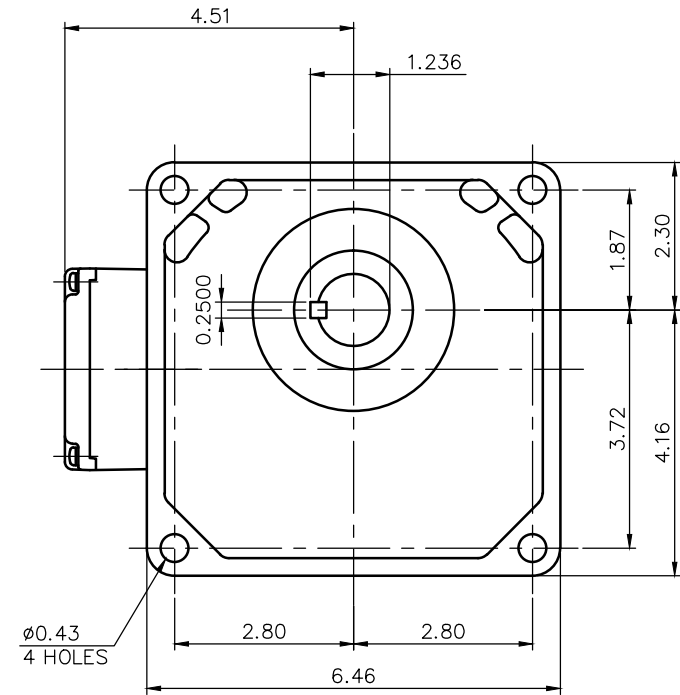
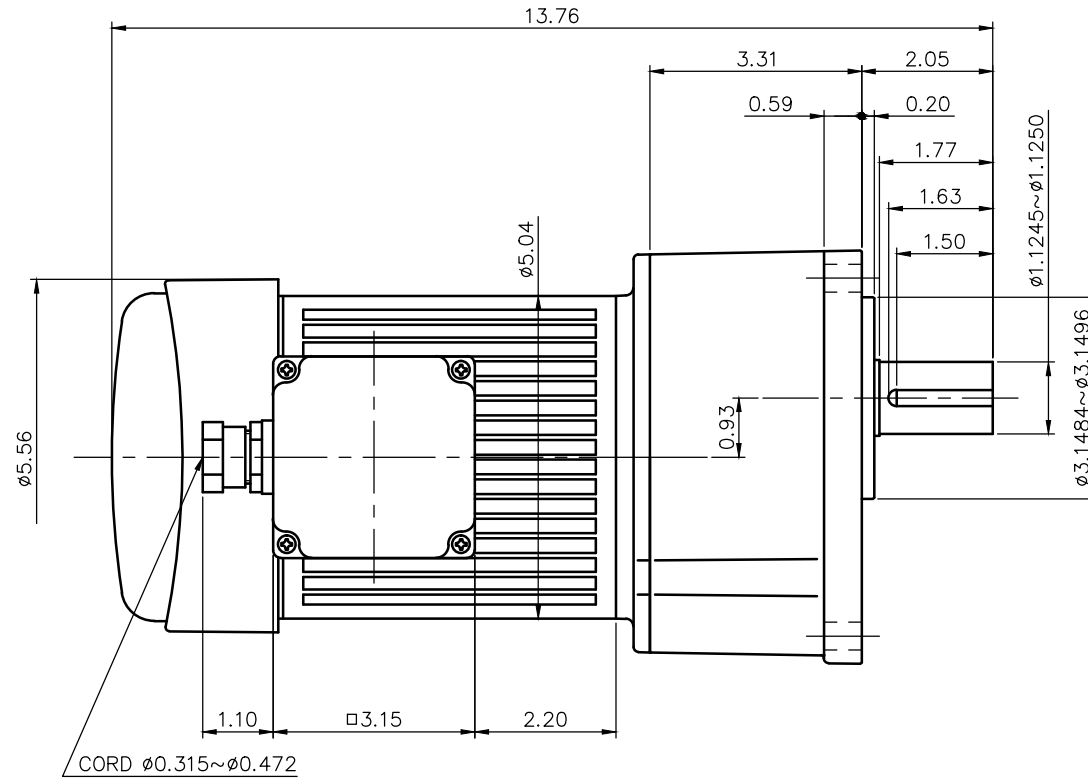


REVISIONS



NOTE: THE ATTACHED RECTIFIER IS USED FOR DC POWER SUPPLY TO THE BRAKE COIL.

NOTE: THE BRAKE LEADS ARE PULLED INTO THE TERMINAL BOX.
 NOTE: THIS MOTOR IS AFFIXED WITH CE MARKING.
 NOTE: THE GROUND LEAD SHOULD BE LONGER THAN THE SUPPLY LEAD FOR THE MOTOR.
 NOTE: THIS MOTOR IS UL CERTIFIED MODEL.(UL1004-1)
 NOTE: UL-LISTED MODEL NAME: MF4AEB2

BRAKE SPECIFICATION

TYPE	BS3-04U
BRAKE TYPE	SPRING CLOSE
INPUT VOLTAGE	DC 104V
POWER CONSUMPTION	22 W (at 75°C)
BRAKE TORQUE	27.8 in-lbs

MOTOR SPECIFICATION

TYPE	3-PHASE INDUCTION MOTOR
FORM	TOTALLY ENCLOSED FAN COOLED
OUT PUT	1/2 HP
VOLTAGE	208/230/460/400 V
FREQ.	60/60/60/50 Hz
POLES	4
ROTATIONAL FREQUENCY	1800/1800/1800/1500 rpm
RATING	S1 CONT.
INS.CLASS	F

REDUCER SPECIFICATION

TYPE	GTR
FORM	28
RATIO	1/30 1/40 1/50 1/60
LUBRICATION	GREASE

TITLE		G3K28N30~80-MF4AEB2			
DRAWING NO.		G3K28N-MF4AEB2			
USER					
NOTICE					
APPROVE	Y.Ikeda	SCALE	1/3	UNIT in	DATE 2015.07.15
CHECK	M.Iijima				
DESIGN	Y.Miura				
NISSEI CORPORATION					