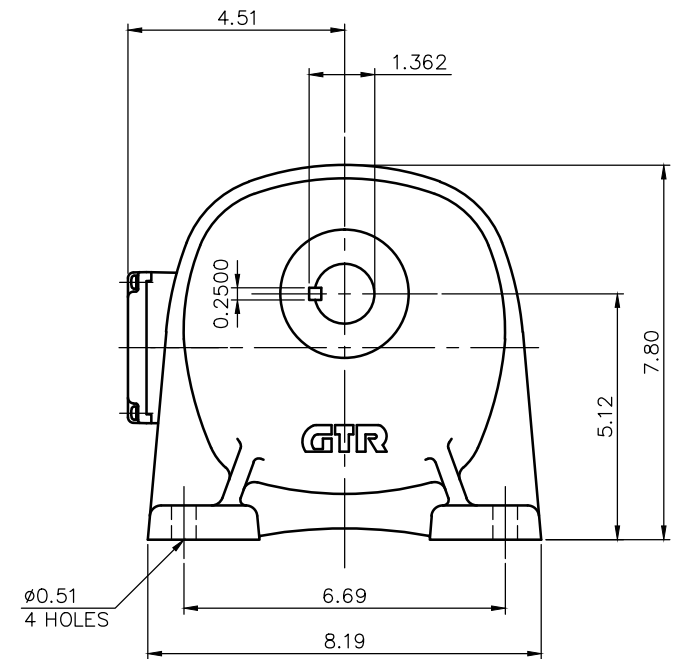
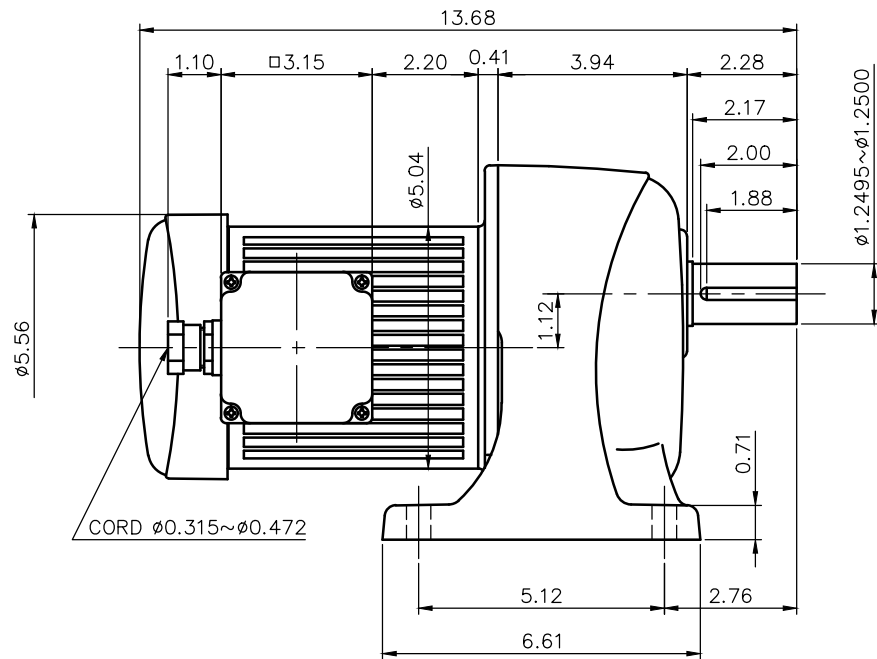


REVISIONS



MOTOR SPECIFICATION

TYPE	3-PHASE INDUCTION MOTOR
FORM	TOTALLY ENCLOSED FAN COOLED
OUT PUT	1/2 HP
VOLTAGE	208/230/460/400 V
FREQ.	60/60/60/50 Hz
POLES	4
ROTATIONAL FREQUENCY	1800/1800/1800/1500 rpm
RATING	S1 CONT.
INS.CLASS	F

REDUCER SPECIFICATION

TYPE	GTR
FORM	32
RATIO	1/100 1/120 1/160
LUBRICATION	GREASE

NOTE: THE RATING OF ENCLOSURE CLASS:
 IP65 (EN60034-5) EQUIVALENT.
 NOTE: OUTPUT SHAFT MATERIAL: SUS420J2
 NOTE: THIS MOTOR IS AFFIXED WITH CE MARKING.
 NOTE: THE GROUND LEAD SHOULD BE LONGER THAN
 THE SUPPLY LEAD FOR THE MOTOR.
 NOTE: THIS MOTOR IS UL CERTIFIED MODEL.(UL1004-1)
 NOTE: UL-LISTED MODEL NAME: WF4AEN

TITLE					G3L32S100~200-WF4AEN				
DRAWING NO.					G3L32S-WF4AEN				
USER									
NOTICE									
APPROVE	Y.Ikeda	SCALE	1/4	UNIT in	DATE 2015.07.15	NISSEI CORPORATION			
CHECK	M.Iijima								
DESIGN	Y.Miura								