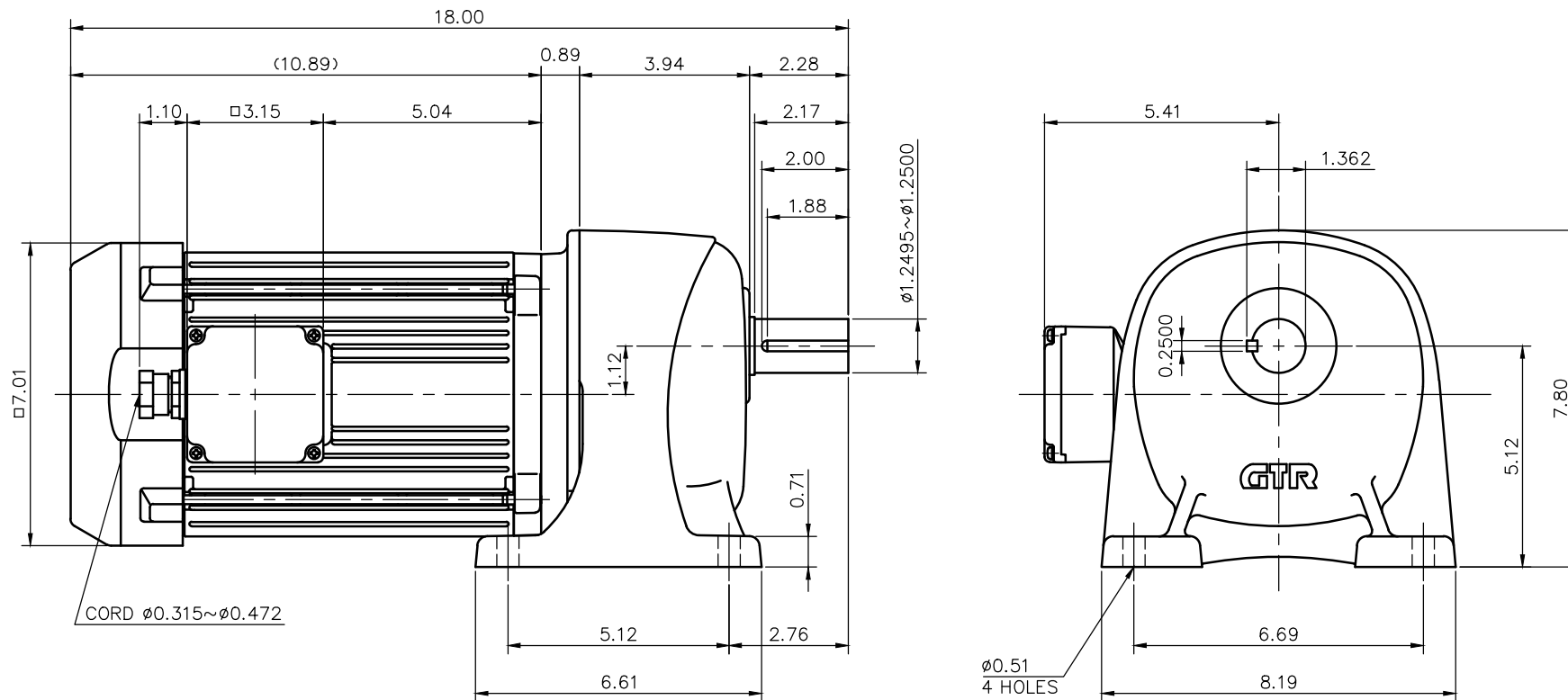


REVISIONS



NOTE: THE RATING OF ENCLOSURE CLASS:  
IP65 (EN60034-5) EQUIVALENT.

NOTE: OUTPUT SHAFT AND KEY MATERIAL: SUS420J2

NOTE: THIS MOTOR IS AFFIXED WITH CE MARKING.  
NOTE: THE GROUND LEAD SHOULD BE LONGER THAN  
THE SUPPLY LEAD FOR THE MOTOR.

NOTE: THIS MOTOR IS UL CERTIFIED MODEL. (UL1004-1)  
NOTE: UL-LISTED MODEL NAME: WV8AEN

MOTOR SPECIFICATION

|                      |                                   |
|----------------------|-----------------------------------|
| TYPE                 | 3-PHASE INDUCTION MOTOR           |
| FORM                 | TOTALLY ENCLOSED FAN COOLED<br>P8 |
| OUT PUT              | 2 HP                              |
| VOLTAGE              | 208/230/460/400 V                 |
| FREQ.                | 60/60/60/50 Hz                    |
| POLES                | 4                                 |
| ROTATIONAL FREQUENCY | 1800/1800/1800/1500 rpm           |
| EFFICIENCY CLASS     | IE3 EN60034-30 Standard           |
| RATING               | S1 CONT.                          |
| INS.CLASS            | F                                 |

REDUCER SPECIFICATION

|             |                    |
|-------------|--------------------|
| TYPE        | GTR                |
| FORM        | 32                 |
| RATIO       | 1/5 1/10 1/15 1/20 |
| LUBRICATION | GREASE             |

|                    |          |   |     |            |                    |
|--------------------|----------|---|-----|------------|--------------------|
| TITLE              |          | G3L32S5~25-WV8AEN<br>DIMENSION OF MODEL |     |            |                    |
| DRAWING NO.        |          | G3L32S-WV8AEN                           |     |            |                    |
| USER               |          |   |     |            |                    |
| NOTICE             |          |   |     |            |                    |
| APPROVE            | Y.Ikeda  | SCALE                                   | 1/4 | UNIT<br>in | DATE<br>2015.05.01 |
| CHECK              | M.Iijima |   |     |            |                    |
| DESIGN             | Y.Miura  |   |     |            |                    |
| NISSEI CORPORATION |          |   |     |            |                    |