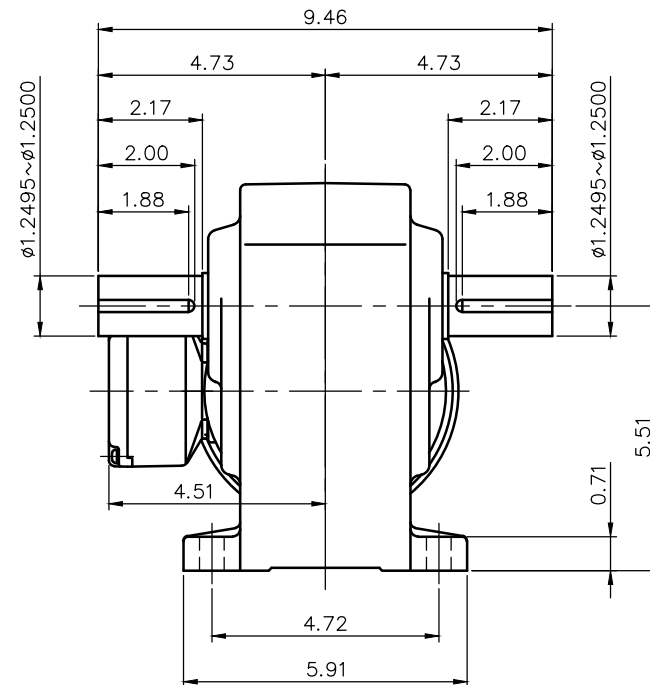
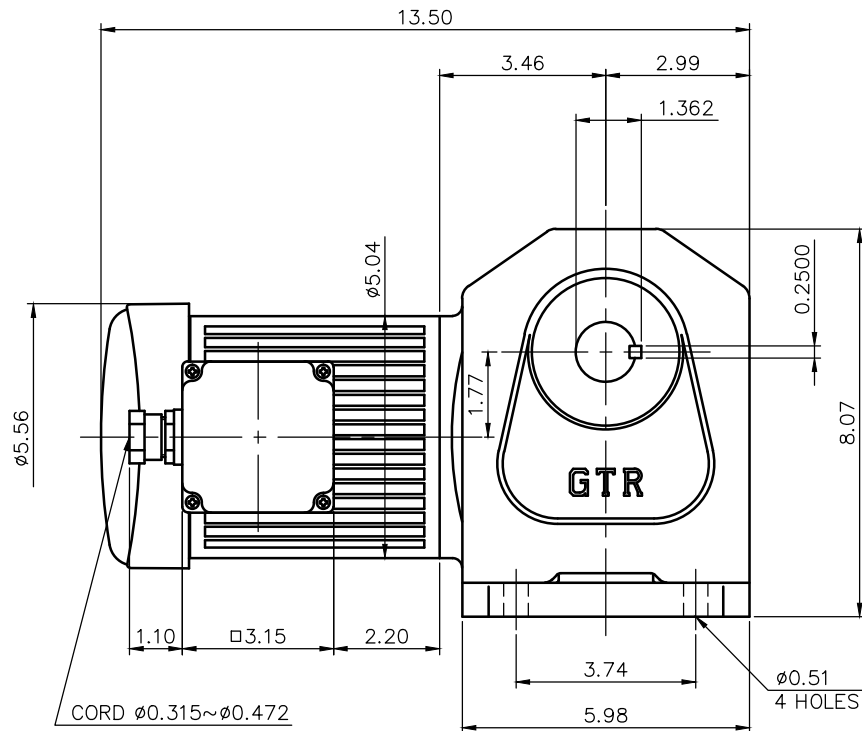


REVISIONS



MOTOR SPECIFICATION

TYPE	3-PHASE INDUCTION MOTOR
FORM	TOTALLY ENCLOSED FAN COOLED
OUT PUT	1/2 HP
VOLTAGE	208/230/460/400 V
FREQ.	60/60/60/50 Hz
POLES	4
ROTATIONAL FREQUENCY	1800/1800/1800/1500 rpm
RATING	S1 CONT.
INS.CLASS	F

REDUCER SPECIFICATION

TYPE	GTR
FORM	32T
RATIO	1/80 1/100 1/120
LUBRICATION	1/160 1/200 1/240 GREASE

NOTE: THE RATING OF ENCLOSURE CLASS:
IP65 (EN60034-5) EQUIVALENT.
NOTE: OUTPUT SHAFT MATERIAL: SUS420J2
NOTE: THIS MOTOR IS AFFIXED WITH CE MARKING.
NOTE: THE GROUND LEAD SHOULD BE LONGER THAN
THE SUPPLY LEAD FOR THE MOTOR.
NOTE: THIS MOTOR IS UL CERTIFIED MODEL.(UL1004-1)
NOTE: UL-LISTED MODEL NAME: WF4AEN

TITLE		H2L32B80~240-WF4AEN DIMENSION OF MODEL			
DRAWING NO.		H2L32B-WF4AEN			
USER					
NOTICE					
APPROVE	Y.Ikeda	SCALE	 1/4	UNIT	DATE
CHECK	M.Iijima			in	2015.07.15
DESIGN	Y.Miura			NISSEI CORPORATION	