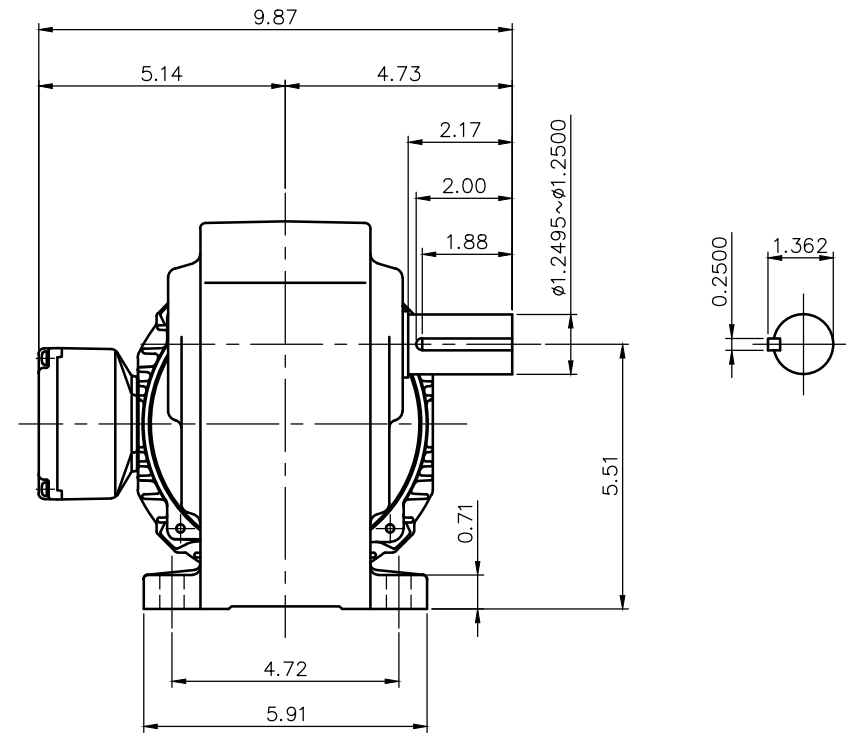
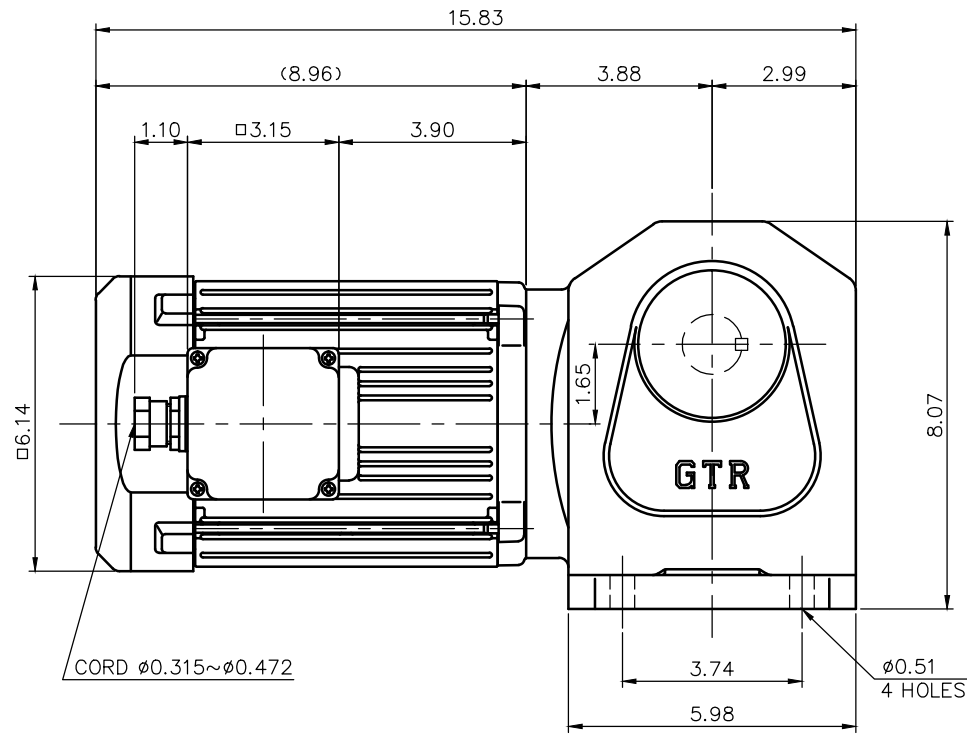


REVISIONS



NOTE: THE RATING OF ENCLOSURE CLASS:
IP65 (EN60034-5) EQUIVALENT.

NOTE: OUTPUT SHAFT AND KEY MATERIAL: SUS420J2

NOTE: THIS MOTOR IS AFFIXED WITH CE MARKING.
NOTE: THE GROUND LEAD SHOULD BE LONGER THAN
THE SUPPLY LEAD FOR THE MOTOR.

NOTE: THIS MOTOR IS UL CERTIFIED MODEL. (UL1004-1)
NOTE: UL-LISTED MODEL NAME: WV6AEN

MOTOR SPECIFICATION

TYPE	3-PHASE INDUCTION MOTOR
FORM	TOTALLY ENCLOSED FAN COOLED P6
OUT PUT	1 HP
VOLTAGE	208/230/460/400 V
FREQ.	60/60/60/50 Hz
POLES	4
ROTATIONAL FREQUENCY	1800/1800/1800/1500 rpm
EFFICIENCY CLASS	IE3 EN60034-30 Standard
RATING	S1 CONT.
INS.CLASS	F

REDUCER SPECIFICATION

TYPE	GTR
FORM	32L
RATIO	1/5 1/10 1/15 1/20 1/25 1/30 1/40 1/50 1/60
LUBRICATION	GREASE

TITLE H2L32H5~60-WV6AEN
DIMENSION OF MODEL

DRAWING NO. H2L32H-WV6AEN

USER

NOTICE

APPROVE	Y.Ikeda	SCALE	1/4		UNIT in	DATE 2015.05.01
CHECK	M.Iijima					
DESIGN	Y.Miura					
NISSEI CORPORATION						