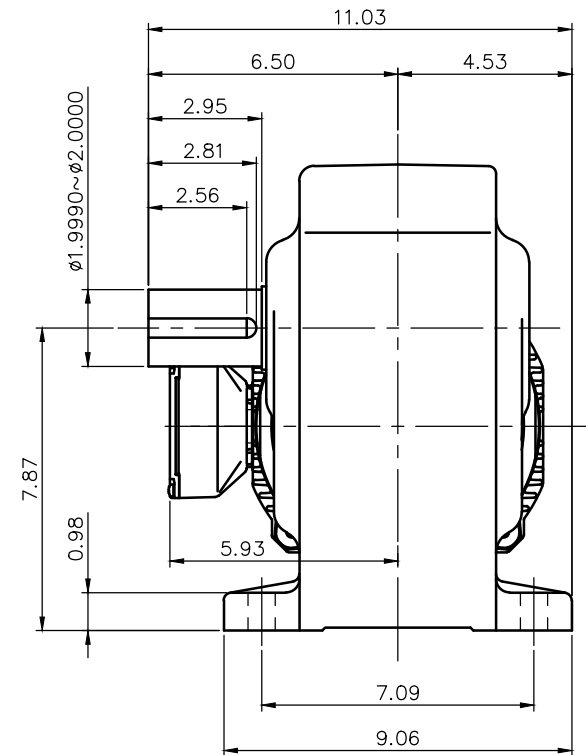
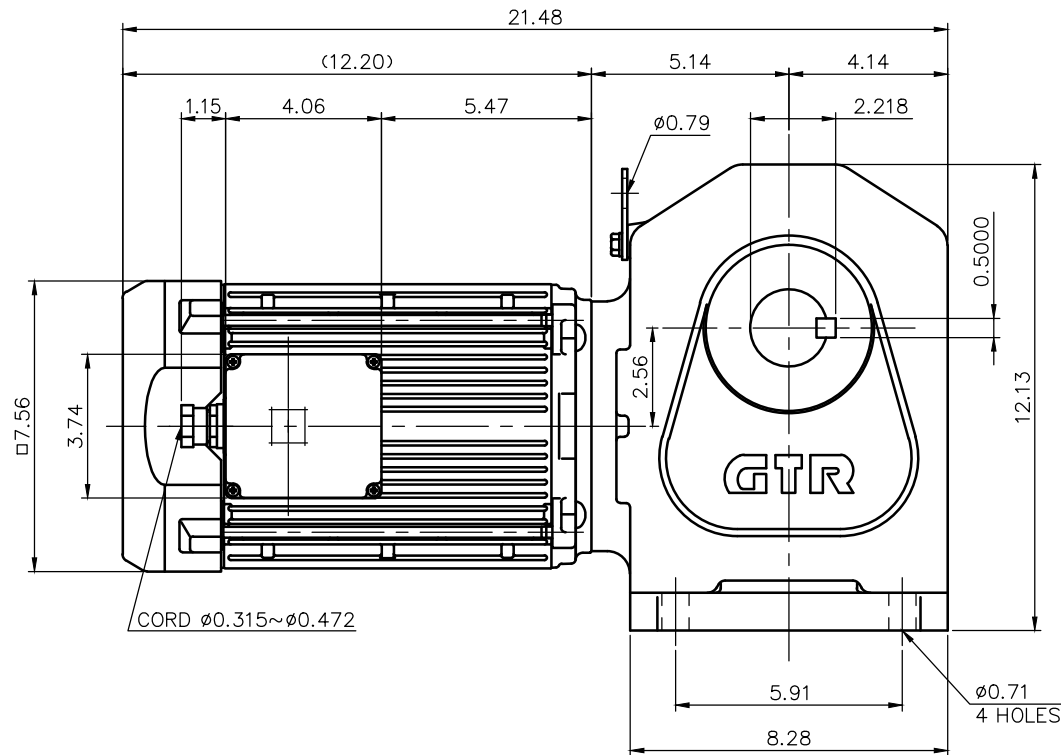


REVISIONS



NOTE: THE RATING OF ENCLOSURE CLASS:
IP65 (EN60034-5) EQUIVALENT.
NOTE: OUTPUT SHAFT AND KEY MATERIAL: SUS420J2

NOTE: COMPLIANCE CERTIFICATION NUMBER: CC303B
NOTE: THIS MOTOR IS AFFIXED WITH CE MARKING.
NOTE: THE GROUND LEAD SHOULD BE LONGER THAN THE SUPPLY LEAD FOR THE MOTOR.
NOTE: THIS MOTOR IS UL CERTIFIED MODEL. (UL1004-1)
NOTE: UL-LISTED MODEL NAME: WV9AWN

MOTOR SPECIFICATION

TYPE	3-PHASE INDUCTION MOTOR
FORM	TOTALLY ENCLOSED FAN COOLED P9
OUT PUT	3 HP
VOLTAGE	208/230/460/400 V
FREQ.	60/60/60/50 Hz
POLES	4
ROTATIONAL FREQUENCY	1800/1800/1800/1500 rpm
EFFICIENCY CLASS	IE3 EN60034-30 Standard
RATING	S1 CONT.
INS.CLASS	F

REDUCER SPECIFICATION

TYPE	GTR
FORM	50M
RATIO	1/5 1/10 1/15 1/20 1/25 1/30 1/40 1/50 1/60 1/80 1/100 1/120
LUBRICATION	GREASE

TITLE		H2L50M5~120-WV9AWN DIMENSION OF MODEL		
DRAWING NO.		H2L50M-WV9AWN		
USER				
NOTICE				
APPROVE	Y.Ikeda	SCALE	UNIT	DATE
CHECK	M.Iijima			
DESIGN	Y.Miura			
		1/5	in	2016.04.01
NISSEI CORPORATION				