



OPERATING MANUAL

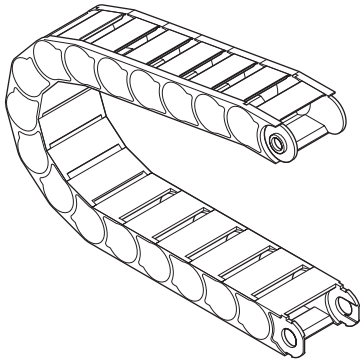
EZ limo
easy linear motion

EZS II Series
Cable Holder

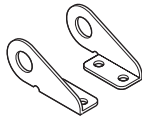
Please read **BEFORE USING THE PRODUCT** thoroughly to understand the details of this product and ensure safe operation.
Always keep the manual where it is readily available.

Packing list

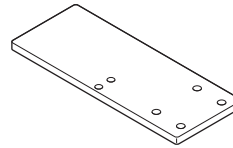
- Cable holder



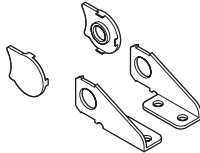
- Moving-end mounting brackets



- Bracket D



- Fixed-end mounting brackets



- Washers (M5)



- Nuts (M5)



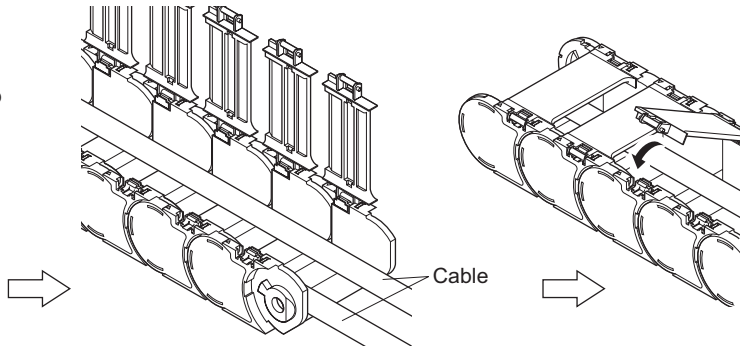
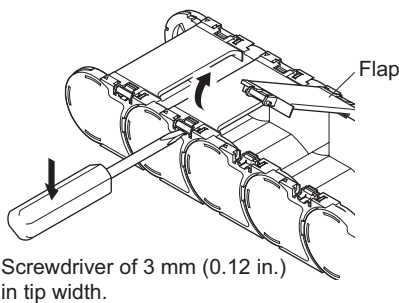
- Bolts [M5 × 15 mm (0.59 in.)]



- Bolts [M6 × 8 mm (0.31 in.)]



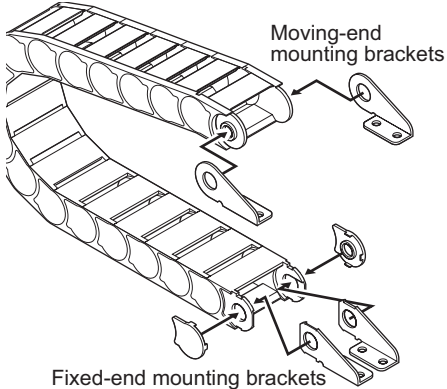
Opening/Closing the flap



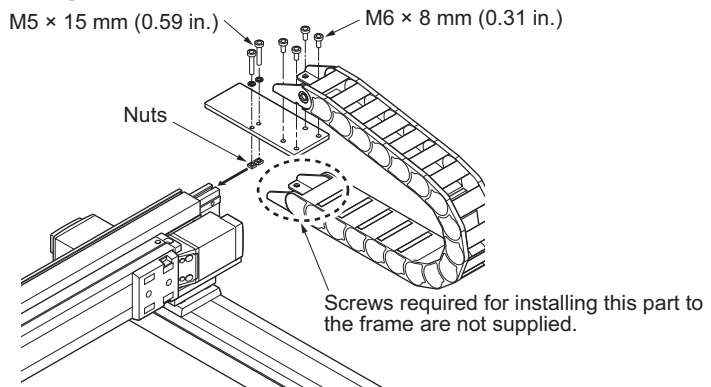
Installation method

Tightening torque 5.0 N·m (44.25 lb-in.)

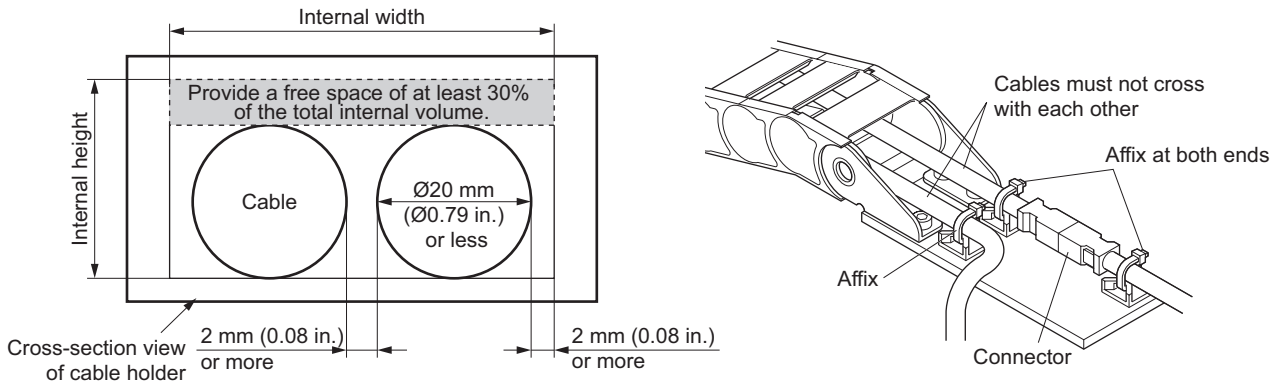
Step 1



Step 2



Precautions on cable storage



- Unauthorized reproduction or copying of all or part of this manual is prohibited.
If a new copy is required to replace an original manual that has been damaged or lost, please contact your nearest Oriental Motor branch or sales office.
 - Oriental Motor shall not be liable whatsoever for any problems relating to industrial property rights arising from use of any information, circuit, equipment or device provided or referenced in this manual.
 - Characteristics, specifications and dimensions are subject to change without notice.
 - While we make every effort to offer accurate information in the manual, we welcome your input. Should you find unclear descriptions, errors or omissions, please contact the nearest office.
 - **Orientalmotor** is a trademark of Oriental Motor Co., Ltd.
 - **EZlimo** is a trademark of Oriental Motor Co., Ltd., and is registered in Japan and other countries.
- Other product names and company names mentioned in this manual may be trademarks or registered trademarks of their respective companies and are hereby acknowledged. The third-party products mentioned in this manual are recommended products, and references to their names shall not be construed as any form of performance guarantee. Oriental Motor is not liable whatsoever for the performance of these third-party products.

© Copyright ORIENTAL MOTOR CO., LTD. 2006

- Please contact your nearest Oriental Motor office for further information.

ORIENTAL MOTOR U.S.A. CORP.
Technical Support Line Tel:(800)468-3982
 Available from 7:30 AM to 5:00 PM, P.S.T.
 E-mail: techsupport@orientalmotor.com
 www.orientalmotor.com

ORIENTAL MOTOR (EUROPA) GmbH
Headquarters and Düsseldorf Office
 Tel:0211-5206700 Fax:0211-52067099
Munich Office
 Tel:08131-59880 Fax:08131-598888
Hamburg Office
 Tel:040-76910443 Fax:040-76910445

ORIENTAL MOTOR (UK) LTD.
 Tel:01256-347090 Fax:01256-347099

ORIENTAL MOTOR (FRANCE) SARL
 Tel:01 47 86 97 50 Fax:01 47 82 45 16

ORIENTAL MOTOR ITALIA s.r.l.
 Tel:02-93906346 Fax:02-93906348

TAIWAN ORIENTAL MOTOR CO., LTD.
 Tel:(02)8228-0707 Fax:(02)8228-0708

SINGAPORE ORIENTAL MOTOR PTE. LTD.
 Tel:(6745)7344 Fax:(6745)9405

ORIENTAL MOTOR (MALAYSIA) SDN. BHD.
 Tel:(03)79545778 Fax:(03)79541528

INA ORIENTAL MOTOR CO., LTD.
KOREA
 Tel:(032)822-2042~3 Fax:(032)819-8745

ORIENTAL MOTOR CO., LTD.
Headquarters Tokyo, Japan
 Tel:(03)3835-0684 Fax:(03)3835-1890