

**Orientalmotor**

**NEW  
PRODUCTS**

**Standard AC Motor  
Equipped with a High-Performance Gearhead  
New Global Standard**

# **KII Series**



# Our New Standard in Geared AC Motors, the KII Series.

Oriental Motor, which has set the standard for AC motors, listened and has sought out the next generation in AC motors. The **KII** Series offers higher strength gears that maximizes motor performance with ease of use wiring and mounting, all at affordable prices. These are the characteristics of the new standard in AC motors, the next generation **KII** Series.



The new **KII** Series AC motors, equipped with the highest strength gearheads are now available at affordable prices.

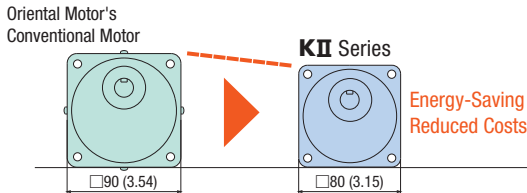
# The Strength Has Changed.

The gear strength has increased in order to maximize the performance of the motor.

## High Permissible Torque

The maximum permissible torque has doubled compared to conventional products thanks to increased gear strength\* which provides a torque range that exceeds anything previously offered. Down sizing is also possible by switching the motors used in the past to the **KII** Series. If a small motor is selected, power consumption can be suppressed and costs can be reduced.  
\* Triple in 40 W products

Down sizing is possible with the same output torque



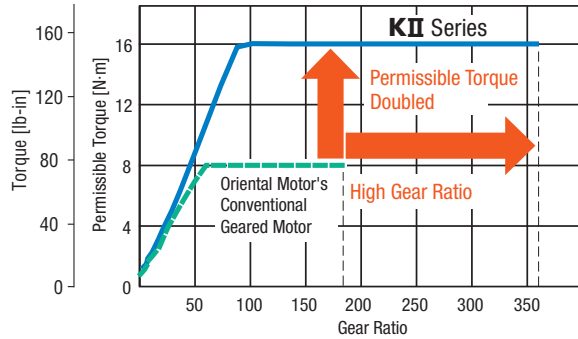
|                                       |  |
|---------------------------------------|--|
| Frame Size: □ 90 mm (3.54 in.)        | Frame Size: □ 80 mm (3.15 in.)         |
| Motor Output: 40 W (1/19 HP)          | Motor Output: 25 W (1/30 HP)           |
| Permissible Torque: 10 N·m (88 lb-in) | Permissible Torque: 16 N·m (141 lb-in) |
| List Price <b>\$208.00</b>            | List Price <b>\$153.00</b>             |

Geared motors with twice the permissible torque compared to conventional geared motors and now with higher gear ratios

● 25 W (1/30 HP) Gearhead Output (Permissible) Torque



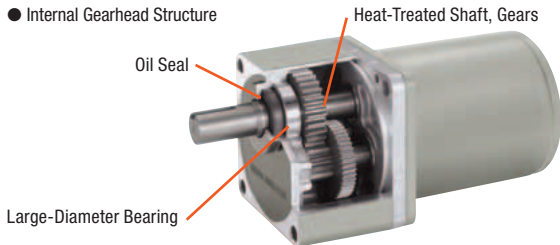
|  |  |
|--|--|
| Conventional geared motor <b>4GN-K</b>   | <b>KII Series 4GV</b>                      |
| Max. Permissible Torque 8 N·m (70 lb-in) | Max. Permissible Torque 16 N·m (141 lb-in) |



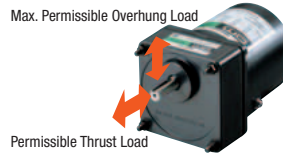
## High Strength

Permissible overhung load and permissible thrust load have doubled compared to conventional products\*. This has been made possible by increasing the case rigidity, adding larger diameter bearings and improved gear strength through heat treatment.

\* The same in some products



Permissible overhung load and permissible thrust load have doubled compared to conventional products



Conventional Geared Motor **4GN-K**  
Max. Permissible Overhung Load  
**200 N (45 lb.)**  
Permissible Thrust Load  
**50 N (11.2 lb.)**



**KII Series 4GV**  
Max. Permissible Overhung Load  
**450 N (101 lb.)**  
Permissible Thrust Load  
**100 N (22 lb.)**

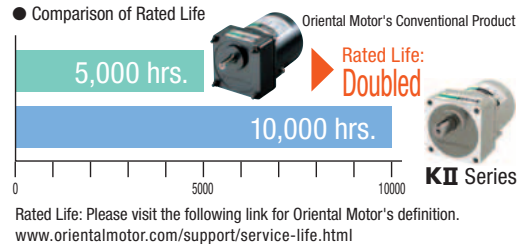
# The Performance Has Changed.

Gear strength, performance and user-friendliness has increased.

## Long Life

The gearhead ball bearing diameter has increased, resulting in doubling the life of the gearhead (10,000 hours compared to the rated life of 5,000 hours of conventional gearheads). Performing maintenance has decreased as a result of the longer life.

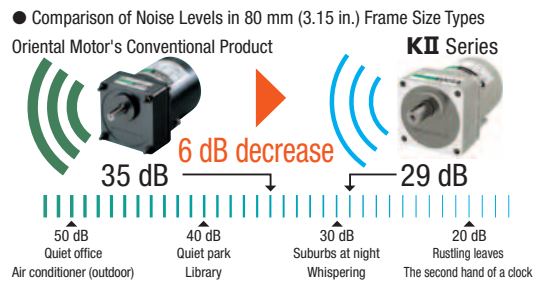
The rated life has doubled compared to conventional products



## Quiet

The motor and gearhead noise (meshing sound) has decreased by approximately 6 dB compared to conventional motors. Put into perspective, the noise level has decreased by 50%.

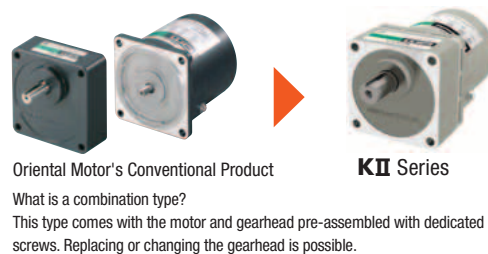
The gearhead noise has been decreased by 6 dB compared to conventional products



## Combination Type

The motor and gearhead come preassembled and ready to install. Concerns of damage resulting from improper gearhead installation leading to abnormal noise in the shaft are eliminated.

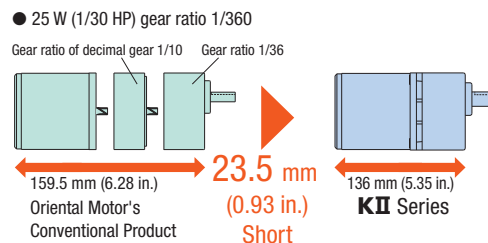
Easy installation thanks to the preassembled motor and gearhead



## High Gear Ratio

Decimal gearheads were once required for gear ratios above 1:180. Now a single gearhead is available (up to 1:360), saving space and reducing components and costs.

No decimal gearhead is required, allowing the total length to be shortened



## Tap Output Shaft

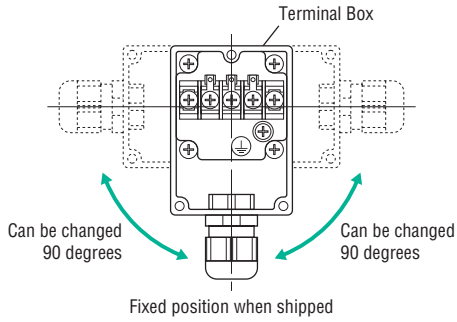
An end tap has been integrated into the tip of the output shaft of gearheads, with a rated output power of 25 W (1/30 HP) and higher. The tap can be used to prevent pulleys and other transmission mechanism from slipping.





## Terminal Box Type

The cable outlet can be changed to three different directions. This can be changed to suit the installation requirements.



IP65 = 25 W~40 W  
 IP54 = 60 W~90 W  
 \*Excluding installation surface

## System Configuration

### KII Series

Combination Type  
(Motor/Gearhead)



Capacitor (Included)

Capacitor Cap  
(Included)

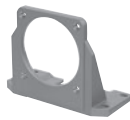
AC Power Supply  
(Main power supply)

Peripheral Equipment  
(Sold separately)

Brake Pack  
SB50W



Accessories (Sold separately)



Mounting Brackets



Flexible Couplings

### Example of System Configuration

|  |   |                            |                                    |   |
|--|---|----------------------------|------------------------------------|---|
| <b>KII Series</b><br>Combination Type<br><b>4IK25UA-360A</b> | + | Sold Separately            |                                    |   |
|  |   | Brake Pack<br><b>SB50W</b> | Mounting Bracket<br><b>SOL4UAF</b> | Flexible Coupling<br><b>MCL40F10F10</b> |

●The system configuration shown above is an example. Other combinations are available. Motors and gearheads are also available separately.

## Product Line



□ 60 mm (2.36 in.)  
6 W (1/125 HP)



□ 70 mm (2.76 in.)  
15 W (1/50 HP)



□ 80 mm (3.15 in.)  
25 W (1/30 HP)



□ 90 mm (3.54 in.)  
40 W (1/19 HP)



□ 90 mm (3.54 in.)  
60 W (1/12 HP)



□ 90 mm (3.54 in.)  
90 W (1/8 HP)

| Product Line    | Voltage (VAC)        | Output Power   |                |                |                |                |               |
|-----------------|----------------------|----------------|----------------|----------------|----------------|----------------|---------------|
|                 |                      | 6 W (1/125 HP) | 15 W (1/50 HP) | 25 W (1/30 HP) | 40 W (1/19 HP) | 60 W (1/12 HP) | 90 W (1/8 HP) |
| Induction Motor | Single-Phase 110/115 | ●              | ●              | ●              | ●              | ●              | ●             |
|                 | Single-Phase 220/230 | ●              | ●              | ●              | ●              | ●              | ●             |

## Product Number

### ◇ Combination Type

**4 I K 25 UA T - 12.5 A**

① ② ③ ④ ⑤ ⑥ ⑦ ⑧

|   |                             |   |
|---|-----------------------------|---|
| ① | Motor Frame Size            | <b>2:</b> 60 mm (2.36 in.) <b>3:</b> 70 mm (2.76 in.) <b>4:</b> 80 mm (3.15 in.) <b>5:</b> 90 mm (3.54 in.) |
| ② | Motor Type                  | <b>I:</b> Induction Motor   |
| ③ | Series                      | <b>K: KII</b> Series  |
| ④ | Output Power (W)            | (Example) <b>25:</b> 25 W (1/30 HP)   |
| ⑤ | Power Supply Voltage        | <b>UA:</b> Single-Phase 110/115 VAC <b>UC:</b> Single-Phase 220/230 VAC                                     |
| ⑥ | <b>T:</b> Terminal Box Type |   |
| ⑦ | Gear Ratio                  |   |
| ⑧ | <b>A:</b> Imperial          |   |

### ◇ Pinion Shaft Motor

**4 I K 25 GV - UA T**

① ② ③ ④ ⑤ ⑥ ⑦

|   |                             |   |
|---|-----------------------------|---|
| ① | Motor Frame Size            | <b>2:</b> 60 mm (2.36 in.) <b>3:</b> 70 mm (2.76 in.) <b>4:</b> 80 mm (3.15 in.) <b>5:</b> 90 mm (3.54 in.) |
| ② | Motor Type                  | <b>I:</b> Induction Motor   |
| ③ | Series                      | <b>K: KII</b> Series  |
| ④ | Output Power (W)            | (Example) <b>25:</b> 25 W (1/30 HP)   |
| ⑤ | Motor Shaft Type            | <b>GV:</b> GV Type Pinion Shaft <b>GVH:</b> GVH Type Pinion Shaft <b>GVR:</b> GVR Type Pinion Shaft         |
| ⑥ | Power Supply Voltage        | <b>UA:</b> Single-Phase 110/115 VAC <b>UC:</b> Single-Phase 220/230 VAC                                     |
| ⑦ | <b>T:</b> Terminal Box Type |   |

### ◇ Gearhead

**4 GV 12.5 A**

① ② ③ ④

|   |                    |   |
|---|--------------------|---|
| ① | Motor Frame Size   | <b>2:</b> 60 mm (2.36 in.) <b>3:</b> 70 mm (2.76 in.) <b>4:</b> 80 mm (3.15 in.) <b>5:</b> 90 mm (3.54 in.) |
| ② | Motor Shaft Type   | <b>GV:</b> GV Type Pinion Shaft <b>GVH:</b> GVH Type Pinion Shaft <b>GVR:</b> GVR Type Pinion Shaft         |
| ③ | Gear Ratio         |   |
| ④ | <b>A:</b> Imperial |   |

## General Specifications

### Induction Motor

| Item                  | Specification  |
|-----------------------|--|
| Insulation Resistance | 100 MΩ or more when 500 VDC megger is applied between the windings and the case after rated operation under normal ambient temperature and humidity.                           |
| Dielectric Strength   | Sufficient to withstand 1.5 kVAC at 50 Hz or 60 Hz applied between the windings and the case for 1 minute after rated operation under normal ambient temperature and humidity. |
| Temperature Rise      | Temperature rise of windings are 80°C (176°F) or less measured by the resistance change method after rated operation under normal ambient temperature and humidity.            |
| Thermal Class         | 130 (B)  |
| Overheat Protection   | 6 W (1/125 HP) type has impedance protection.<br>Other Types Built-in thermal protector (automatic return type) Open: 130±5°C (266±9°F), Close: 85±20°C (185±36°F)             |
| Ambient Temperature   | Single-phase 110/115 VAC, Single-phase 220/230 VAC: -10~+40°C (+14~+104°F) (non-freezing)  |
| Ambient Humidity      | 85% or less (non-condensing)   |
| Degree of Protection  | Lead Wire Type: IP20<br>Terminal Box Type, Conduit Box Type: IP65 = 25 W (1/50 HP)–40 W (1/19 HP), IP54 = 60 W (1/12 HP)–90 W (1/8 HP) (excluding the installation surface)    |

## Permissible Overhung Load and Permissible Thrust Load of Gearheads

| Product Name                  | Gear Ratio     | Max. Permissible Torque |     | Max. Permissible Overhung Load: N |     |                                 |     | Permissible Thrust Load |    |
|-------------------------------|----------------|-------------------------|-----|-----------------------------------|-----|---------------------------------|-----|-------------------------|----|
|                               |                |                         |     | 10 mm (0.39 in.) from shaft end   |     | 20 mm (0.79 in.) from shaft end |     |                         |    |
|                               |                |                         |     | N                                 | lb. | N                               | lb. |                         |    |
| <b>2GV□A</b>                  | <b>5~25</b>    | 6                       | 53  | 150                               | 33  | 200                             | 45  | 40                      | 9  |
|                               | <b>30~360</b>  |                         |     | 200                               | 45  | 300                             | 67  |                         |    |
| <b>3GV□A</b>                  | <b>5~25</b>    | 10                      | 88  | 200                               | 45  | 300                             | 67  | 80                      | 18 |
|                               | <b>30~360</b>  |                         |     | 300                               | 67  | 400                             | 90  |                         |    |
| <b>4GV□A</b>                  | <b>5~25</b>    | 16                      | 141 | 300                               | 67  | 350                             | 78  | 100                     | 22 |
|                               | <b>30~360</b>  |                         |     | 450                               | 101 | 550                             | 123 |                         |    |
| <b>5GV□A</b><br><b>5GVH□A</b> | <b>5~9</b>     | 30                      | 260 | 400                               | 90  | 500                             | 112 | 150                     | 33 |
|                               | <b>12.5~18</b> |                         |     | 450                               | 101 | 600                             | 135 |                         |    |
|                               | <b>25~300</b>  |                         |     | 500                               | 112 | 700                             | 157 |                         |    |
| <b>5GVR□A</b>                 | <b>5~9</b>     | 40                      | 350 | 400                               | 90  | 500                             | 112 | 150                     | 33 |
|                               | <b>12.5~18</b> |                         |     | 450                               | 101 | 600                             | 135 |                         |    |
|                               | <b>25~180</b>  |                         |     | 500                               | 112 | 700                             | 157 |                         |    |

## Permissible Load Inertia J of Gearhead

When a high load inertia (J) is connected to a gearhead, high torque is exerted instantaneously on the gearhead during intermittent operations (or during stopping by an electromagnetic brake or instantaneous stopping by a brake pack). Excessive impact shocks can cause damage to the gearhead or motor.

The table to the right gives values for the permissible load inertia at the motor shaft. Use the motor and gearhead within these parameters.

The permissible load inertia at the output shaft of the gearhead is calculated with the formula to the right.

The life of a gearhead when operating at the permissible load inertia with instantaneous stopping of electromagnetic brake type motors, brake pack or speed control motors is approximately two million cycles.

### Permissible Load Inertia at the Gearhead Output Shaft

When the gear ratio is 1/3~1/50  $J_G = J_M \times i^2$

When the gear ratio is 1/60 or higher  $J_G = J_M \times 2500$

$J_G$ : Permissible load inertia of gearhead output shaft  
J [(×10<sup>-4</sup> kg·m<sup>2</sup>) (oz-in<sup>2</sup>)]

$J_M$ : Permissible load inertia of gearhead output shaft  
J [(×10<sup>-4</sup> kg·m<sup>2</sup>) (oz-in<sup>2</sup>)]

$i$ : Gear ratio (Example:  $i=3$  means a gear ratio of 1/3)

### Permissible Load Inertia at the Motor Shaft

| Motor Output Power | Permissible Load Inertia<br>J [(×10 <sup>-4</sup> kg·m <sup>2</sup> ) (oz-in <sup>2</sup> )] |
|--------------------|--|
| 6 W (1/125 HP)     | 0.062 (0.34)   |
| 15 W (1/50 HP)     | 0.14 (0.77)  |
| 25 W (1/30 HP)     | 0.31 (1.70)  |
| 40 W (1/19 HP)     | 1.1 (6.0)  |
| 60 W (1/12 HP)     | 1.1 (6.0)  |
| 90 W (1/8 HP)      | 1.1 (6.0)  |

# Induction Motors

## Product Line and List Price

### ● Lead Wire Type

| Output Power      | Voltage                     | Product Name      | Gear Ratio     | List Price |
|-------------------|-----------------------------|-------------------|----------------|------------|
| 6 W<br>(1/125 HP) | Single-Phase<br>110/115 VAC | <b>2IK6UA-□A</b>  | <b>5~18</b>    | \$121.00   |
|                   |                             |                   | <b>25~36</b>   | \$127.00   |
|                   |                             |                   | <b>50~180</b>  | \$134.00   |
|                   |                             |                   | <b>250~360</b> | \$180.00   |
|                   | Single-Phase<br>220/230 VAC | <b>2IK6UC-□A</b>  | <b>5~18</b>    | \$124.00   |
|                   |                             |                   | <b>25~36</b>   | \$130.00   |
|                   |                             |                   | <b>50~180</b>  | \$137.00   |
|                   |                             |                   | <b>250~360</b> | \$183.00   |
| 15 W<br>(1/50 HP) | Single-Phase<br>110/115 VAC | <b>3IK15UA-□A</b> | <b>5~18</b>    | \$132.00   |
|                   |                             |                   | <b>25~36</b>   | \$138.00   |
|                   |                             |                   | <b>50~180</b>  | \$145.00   |
|                   |                             |                   | <b>250~360</b> | \$189.00   |
|                   | Single-Phase<br>220/230 VAC | <b>3IK15UC-□A</b> | <b>5~18</b>    | \$134.00   |
|                   |                             |                   | <b>25~36</b>   | \$140.00   |
|                   |                             |                   | <b>50~180</b>  | \$147.00   |
|                   |                             |                   | <b>250~360</b> | \$191.00   |
| 25 W<br>(1/30 HP) | Single-Phase<br>110/115 VAC | <b>4IK25UA-□A</b> | <b>5~18</b>    | \$140.00   |
|                   |                             |                   | <b>25~36</b>   | \$146.00   |
|                   |                             |                   | <b>50~180</b>  | \$153.00   |
|                   |                             |                   | <b>250~360</b> | \$200.00   |
|                   | Single-Phase<br>220/230 VAC | <b>4IK25UC-□A</b> | <b>5~18</b>    | \$144.00   |
|                   |                             |                   | <b>25~36</b>   | \$150.00   |
|                   |                             |                   | <b>50~180</b>  | \$157.00   |
|                   |                             |                   | <b>250~360</b> | \$204.00   |
| 40 W<br>(1/19 HP) | Single-Phase<br>110/115 VAC | <b>5IK40UA-□A</b> | <b>5~18</b>    | \$169.00   |
|                   |                             |                   | <b>25~36</b>   | \$176.00   |
|                   |                             |                   | <b>50~180</b>  | \$183.00   |
|                   |                             |                   | <b>250~300</b> | \$261.00   |
|                   | Single-Phase<br>220/230 VAC | <b>5IK40UC-□A</b> | <b>5~18</b>    | \$173.00   |
|                   |                             |                   | <b>25~36</b>   | \$180.00   |
|                   |                             |                   | <b>50~180</b>  | \$187.00   |
|                   |                             |                   | <b>250~300</b> | \$265.00   |
| 60 W<br>(1/12 HP) | Single-Phase<br>110/115 VAC | <b>5IK60UA-□A</b> | <b>5~18</b>    | \$224.00   |
|                   |                             |                   | <b>25~100</b>  | \$235.00   |
|                   |                             |                   | <b>120~180</b> | \$245.00   |
|                   |                             |                   | <b>250~300</b> | \$279.00   |
|                   | Single-Phase<br>220/230 VAC | <b>5IK60UC-□A</b> | <b>5~18</b>    | \$228.00   |
|                   |                             |                   | <b>25~100</b>  | \$239.00   |
|                   |                             |                   | <b>120~180</b> | \$249.00   |
|                   |                             |                   | <b>250~300</b> | \$283.00   |
| 90 W<br>(1/8 HP)  | Single-Phase<br>110/115 VAC | <b>5IK90UA-□A</b> | <b>5~18</b>    | \$243.00   |
|                   |                             |                   | <b>25~60</b>   | \$263.00   |
|                   |                             |                   | <b>75~180</b>  | \$273.00   |
|                   | Single-Phase<br>220/230 VAC | <b>5IK90UC-□A</b> | <b>5~18</b>    | \$248.00   |
|                   |                             |                   | <b>25~60</b>   | \$268.00   |
|                   |                             |                   | <b>75~180</b>  | \$278.00   |

### ● Terminal Box Type

| Output Power      | Voltage                     | Product Name       | Gear Ratio     | List Price |
|-------------------|-----------------------------|--------------------|----------------|------------|
| 25 W<br>(1/30 HP) | Single-Phase<br>110/115 VAC | <b>4IK25UAT-□A</b> | <b>5~18</b>    | \$162.00   |
|                   |                             |                    | <b>25~36</b>   | \$168.00   |
|                   |                             |                    | <b>50~180</b>  | \$175.00   |
|                   |                             |                    | <b>250~360</b> | \$222.00   |
|                   | Single-Phase<br>220/230 VAC | <b>4IK25UCT-□A</b> | <b>5~18</b>    | \$165.00   |
|                   |                             |                    | <b>25~36</b>   | \$171.00   |
|                   |                             |                    | <b>50~180</b>  | \$178.00   |
|                   |                             |                    | <b>250~360</b> | \$225.00   |
| 40 W<br>(1/19 HP) | Single-Phase<br>110/115 VAC | <b>5IK40UAT-□A</b> | <b>5~18</b>    | \$191.00   |
|                   |                             |                    | <b>25~36</b>   | \$198.00   |
|                   |                             |                    | <b>50~180</b>  | \$205.00   |
|                   |                             |                    | <b>250~300</b> | \$283.00   |
|                   | Single-Phase<br>220/230 VAC | <b>5IK40UCT-□A</b> | <b>5~18</b>    | \$194.00   |
|                   |                             |                    | <b>25~36</b>   | \$201.00   |
|                   |                             |                    | <b>50~180</b>  | \$208.00   |
|                   |                             |                    | <b>250~300</b> | \$286.00   |
| 60 W<br>(1/12 HP) | Single-Phase<br>110/115 VAC | <b>5IK60UAT-□A</b> | <b>5~18</b>    | \$245.00   |
|                   |                             |                    | <b>25~100</b>  | \$256.00   |
|                   |                             |                    | <b>120~180</b> | \$266.00   |
|                   |                             |                    | <b>250~300</b> | \$300.00   |
|                   | Single-Phase<br>220/230 VAC | <b>5IK60UCT-□A</b> | <b>5~18</b>    | \$250.00   |
|                   |                             |                    | <b>25~100</b>  | \$261.00   |
|                   |                             |                    | <b>120~180</b> | \$271.00   |
|                   |                             |                    | <b>250~300</b> | \$305.00   |
| 90 W<br>(1/8 HP)  | Single-Phase<br>110/115 VAC | <b>5IK90UAT-□A</b> | <b>5~18</b>    | \$265.00   |
|                   |                             |                    | <b>25~60</b>   | \$285.00   |
|                   |                             |                    | <b>75~180</b>  | \$295.00   |
|                   | Single-Phase<br>220/230 VAC | <b>5IK90UCT-□A</b> | <b>5~18</b>    | \$269.00   |
|                   |                             |                    | <b>25~60</b>   | \$289.00   |
|                   |                             |                    | <b>75~180</b>  | \$299.00   |

The following items are included with each product.

Motor, Gearhead, Capacitor, Capacitor Cap, Installation Screws, Parallel Key, Operating Manual

● Enter the gear ratio in the box (□) within the product name.



## Specifications



### ● Induction Motors – Continuous Rating (RoHS)

| Product Name and Type |                   | Output Power<br>W (HP) | Voltage<br>VAC   | Frequency<br>Hz | Current<br>A | Starting Torque<br>mN·m (oz-in.) | Rated Torque<br>mN·m (oz-in.) | Rated Speed<br>r/min | Capacitor<br>μF |
|-----------------------|-------------------|------------------------|------------------|-----------------|--------------|----------------------------------|-------------------------------|----------------------|-----------------|
| Lead Wire Type        | Terminal Box Type |                        |                  |                 |              |                                  |                               |                      |                 |
| Ⓢ 2IK6UA-□A           | –                 | 6 (1/125)              | Single-Phase 110 | 60              | 0.185        | 40 (5.6)                         | 41 (5.8)                      | 1450                 | 2.5             |
|                       |                   |                        | Single-Phase 115 | 60              | 0.189        | 40 (5.6)                         | 41 (5.8)                      | 1450                 |                 |
| Ⓢ 2IK6UC-□A           | –                 | 6 (1/125)              | Single-Phase 220 | 60              | 0.093        | 40 (5.6)                         | 41 (5.8)                      | 1450                 | 0.6             |
|                       |                   |                        | Single-Phase 230 | 60              | 0.096        | 40 (5.6)                         | 41 (5.8)                      | 1450                 |                 |
| Ⓢ 3IK15UA-□A          | –                 | 15 (1/50)              | Single-Phase 110 | 60              | 0.31         | 65 (9.2)                         | 105 (14.9)                    | 1450                 | 4.0             |
|                       |                   |                        | Single-Phase 115 | 60              | 0.31         | 65 (9.2)                         | 105 (14.9)                    | 1450                 |                 |
| Ⓢ 3IK15UC-□A          | –                 | 15 (1/50)              | Single-Phase 220 | 60              | 0.154        | 65 (9.2)                         | 105 (14.9)                    | 1450                 | 1.0             |
|                       |                   |                        | Single-Phase 230 | 60              | 0.155        | 65 (9.2)                         | 105 (14.9)                    | 1450                 |                 |
| Ⓢ 4IK25UA-□A          | 4IK25UAT-□A       | 25 (1/30)              | Single-Phase 110 | 60              | 0.44         | 120 (17.0)                       | 170 (24)                      | 1450                 | 6.0             |
|                       |                   |                        | Single-Phase 115 | 60              | 0.43         | 120 (17.0)                       | 170 (24)                      | 1450                 |                 |
| Ⓢ 4IK25UC-□A          | 4IK25UCT-□A       | 25 (1/30)              | Single-Phase 220 | 60              | 0.22         | 120 (17.0)                       | 170 (24)                      | 1450                 | 1.5             |
|                       |                   |                        | Single-Phase 230 | 60              | 0.22         | 120 (17.0)                       | 170 (24)                      | 1450                 |                 |
| Ⓢ 5IK40UA-□A          | 5IK40UAT-□A       | 40 (1/19)              | Single-Phase 110 | 60              | 0.66         | 200 (28)                         | 260 (36)                      | 1500                 | 9.0             |
|                       |                   |                        | Single-Phase 115 | 60              | 0.65         | 200 (28)                         | 260 (36)                      | 1500                 |                 |
| Ⓢ 5IK40UC-□A          | 5IK40UCT-□A       | 40 (1/19)              | Single-Phase 220 | 60              | 0.33         | 200 (28)                         | 260 (36)                      | 1500                 | 2.0             |
|                       |                   |                        | Single-Phase 230 | 60              | 0.32         | 200 (28)                         | 260 (36)                      | 1500                 |                 |
| Ⓢ 5IK60UA-□A          | 5IK60UAT-□A       | 60 (1/12)              | Single-Phase 110 | 60              | 1.09         | 320 (45)                         | 405 (57)                      | 1450                 | 16              |
|                       |                   |                        | Single-Phase 115 | 60              | 1.09         | 320 (45)                         | 405 (57)                      | 1450                 |                 |
| Ⓢ 5IK60UC-□A          | 5IK60UCT-□A       | 60 (1/12)              | Single-Phase 220 | 60              | 0.53         | 320 (45)                         | 405 (57)                      | 1450                 | 4.0             |
|                       |                   |                        | Single-Phase 230 | 60              | 0.52         | 320 (45)                         | 405 (57)                      | 1450                 |                 |
| Ⓢ 5IK90UA-□A          | 5IK90UAT-□A       | 90 (1/8)               | Single-Phase 110 | 60              | 1.44         | 450 (63)                         | 605 (85)                      | 1500                 | 20              |
|                       |                   |                        | Single-Phase 115 | 60              | 1.44         | 450 (63)                         | 605 (85)                      | 1500                 |                 |
| Ⓢ 5IK90UC-□A          | 5IK90UCT-□A       | 90 (1/8)               | Single-Phase 220 | 60              | 0.71         | 450 (63)                         | 605 (85)                      | 1450                 | 5.0             |
|                       |                   |                        | Single-Phase 230 | 60              | 0.71         | 450 (63)                         | 605 (85)                      | 1450                 |                 |

Ⓢ: These products are impedance protected.

Ⓢ: This indicates that there is a built-in thermal protector (automatic return type). If a motor overheats for any reason, the thermal protector is activated and the motor is stopped. When the motor temperature drops, the thermal protector closes and the motor restarts automatically. Be sure to turn the power supply off before inspecting.

● Enter the gear ratio in the box (□) within the product name. Also, the values in the table are characteristics for the motor only.

## ■ Permissible Torque

### ● Induction Motors 60 Hz

Unit = N·m (lb-in)

| Product Name<br>Combination Type                           | Speed r/min    | 360            | 300           | 240           | 200           | 144           | 120           | 100           | 72            | 60            | 50            | 36            | 30            | 24            | 20            | 18            | 15          | 12          | 10          | 7.2         | 6           | 5           |   |
|--|----------------|----------------|---------------|---------------|---------------|---------------|---------------|---------------|---------------|---------------|---------------|---------------|---------------|---------------|---------------|---------------|-------------|-------------|-------------|-------------|-------------|-------------|---|
|  | Gear Ratio     | <b>5</b>       | <b>6</b>      | <b>7.5</b>    | <b>9</b>      | <b>12.5</b>   | <b>15</b>     | <b>18</b>     | <b>25</b>     | <b>30</b>     | <b>36</b>     | <b>50</b>     | <b>60</b>     | <b>75</b>     | <b>90</b>     | <b>100</b>    | <b>120</b>  | <b>150</b>  | <b>180</b>  | <b>250</b>  | <b>300</b>  | <b>360</b>  |   |
| <b>2IK6UA-□A, 2IK6UC-□A</b>                                | 0.18<br>(1.59) | 0.22<br>(1.94) | 0.28<br>(2.4) | 0.33<br>(2.9) | 0.46<br>(4.0) | 0.55<br>(4.8) | 0.66<br>(5.8) | 0.92<br>(8.1) | 1.1<br>(9.7)  | 1.3<br>(11.5) | 1.8<br>(15.9) | 2.1<br>(18.5) | 2.6<br>(23)   | 3.2<br>(28)   | 3.5<br>(30)   | 4.2<br>(37)   | 5.0<br>(44) | 6<br>(53)   | 6<br>(53)   | 6<br>(53)   | 6<br>(53)   | 6<br>(53)   |   |
| <b>3IK15UA-□A, 3IK15UC-□A</b>                              | 0.47<br>(4.1)  | 0.57<br>(5.0)  | 0.71<br>(6.2) | 0.85<br>(7.5) | 1.2<br>(10.6) | 1.4<br>(12.3) | 1.7<br>(15.0) | 2.4<br>(21)   | 2.7<br>(23)   | 3.3<br>(29)   | 4.5<br>(39)   | 5.4<br>(47)   | 6.8<br>(60)   | 8.1<br>(71)   | 9.0<br>(79)   | 10<br>(88)    | 10<br>(88)  | 10<br>(88)  | 10<br>(88)  | 10<br>(88)  | 10<br>(88)  | 10<br>(88)  |   |
| <b>4IK25UA-□A, 4IK25UAT-□A<br/>4IK25UC-□A, 4IK25UCT-□A</b> | 0.77<br>(6.8)  | 0.92<br>(8.1)  | 1.1<br>(9.7)  | 1.4<br>(12.3) | 1.9<br>(16.8) | 2.3<br>(20)   | 2.8<br>(24)   | 3.8<br>(33)   | 4.4<br>(38)   | 5.3<br>(46)   | 7.3<br>(64)   | 8.8<br>(77)   | 11.0<br>(97)  | 13.2<br>(116) | 14.6<br>(129) | 16<br>(141)   | 16<br>(141) | 16<br>(141) | 16<br>(141) | 16<br>(141) | 16<br>(141) | 16<br>(141) |   |
| <b>5IK40UA-□A, 5IK40UAT-□A<br/>5IK40UC-□A, 5IK40UCT-□A</b> | 1.2<br>(10.6)  | 1.4<br>(12.3)  | 1.8<br>(15.9) | 2.1<br>(18.5) | 2.9<br>(25)   | 3.5<br>(30)   | 4.2<br>(37)   | 5.6<br>(49)   | 6.7<br>(59)   | 8.0<br>(70)   | 11.2<br>(99)  | 13.4<br>(118) | 16.8<br>(148) | 20.1<br>(177) | 22.4<br>(198) | 25.3<br>(220) | 30<br>(260) | 30<br>(260) | 30<br>(260) | 30<br>(260) | 30<br>(260) | 30<br>(260) | — |
| <b>5IK60UA-□A, 5IK60UAT-□A<br/>5IK60UC-□A, 5IK60UCT-□A</b> | 1.8<br>(15.9)  | 2.2<br>(19.4)  | 2.7<br>(23)   | 3.3<br>(29)   | 4.6<br>(40)   | 5.5<br>(48)   | 6.6<br>(58)   | 8.7<br>(76)   | 10.4<br>(92)  | 12.5<br>(110) | 17.4<br>(153) | 20.9<br>(184) | 26.1<br>(230) | 30<br>(260)   | 30<br>(260)   | 30<br>(260)   | 30<br>(260) | 30<br>(260) | 30<br>(260) | 30<br>(260) | 30<br>(260) | 30<br>(260) | — |
| <b>5IK90UA-□A, 5IK90UAT-□A</b>                             | 2.6<br>(23)    | 3.2<br>(28)    | 3.9<br>(34)   | 4.7<br>(41)   | 6.6<br>(58)   | 7.9<br>(69)   | 9.1<br>(80)   | 12.6<br>(111) | 15.1<br>(133) | 18.1<br>(160) | 25.2<br>(220) | 30.2<br>(260) | 35.5<br>(310) | 40<br>(350)   | 40<br>(350)   | 40<br>(350)   | 40<br>(350) | 40<br>(350) | 40<br>(350) | —           | —           | —           |   |
| <b>5IK90UC-□A, 5IK90UCT-□A</b>                             | 2.7<br>(23)    | 3.3<br>(29)    | 4.1<br>(36)   | 4.9<br>(43)   | 6.8<br>(60)   | 8.2<br>(72)   | 9.4<br>(83)   | 13.0<br>(115) | 15.6<br>(138) | 18.7<br>(165) | 26.0<br>(230) | 31.2<br>(270) | 36.8<br>(320) | 40<br>(350)   | 40<br>(350)   | 40<br>(350)   | 40<br>(350) | 40<br>(350) | 40<br>(350) | —           | —           | —           |   |

● Enter the gear ratio in the box (□) within the product name.

● A  colored background indicates gear shaft rotation in the same direction as the motor shaft. Others rotate in the opposite direction.

● The speed is calculated by dividing the motor's synchronous speed (60 Hz: 1800 r/min) by the gear ratio.

The actual speed is 2 to 20% less than the displayed value, depending on the load.

## Dimensions Unit = mm (in.)

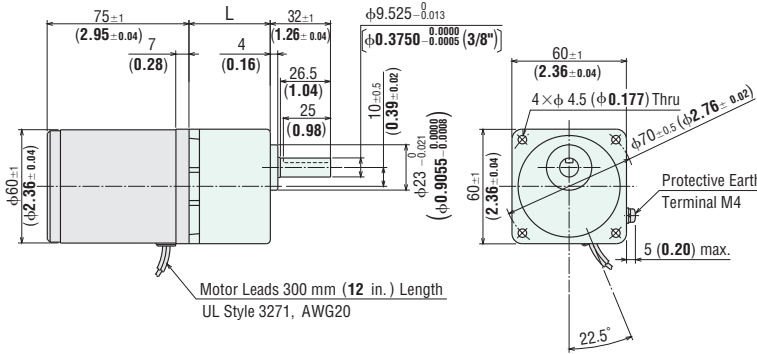
● Mounting screws are included.

● 6 W (1/125 HP)

◇ Motor/Gearhead (Lead Wire Type)

| Product Name     | Motor Product Name | Gearhead Product Name | Gear Ratio | L         | CAD    |
|------------------|--------------------|-----------------------|------------|-----------|--------|
| <b>2IK6</b> ■-□A | 2IK6GV-■           | 2GV□A                 | 5~25       | 34 (1.34) | A1243A |
|                  |                    |                       | 30~120     | 38 (1.50) | A1243B |
|                  |                    |                       | 150~360    | 43 (1.69) | A1243C |

Mass: 1.2 kg (2.6 lb.) (Including gearhead)

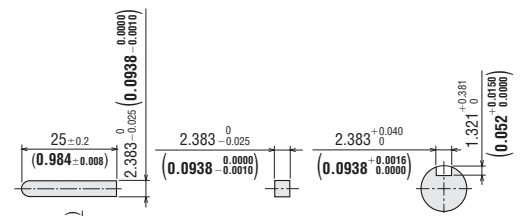


Motor Leads 300 mm (12 in.) Length  
UL Style 3271, AWG20

Detail Drawing of Protective Earth Terminal

◇ Key and Key Slot

(The key is included with the gearhead)

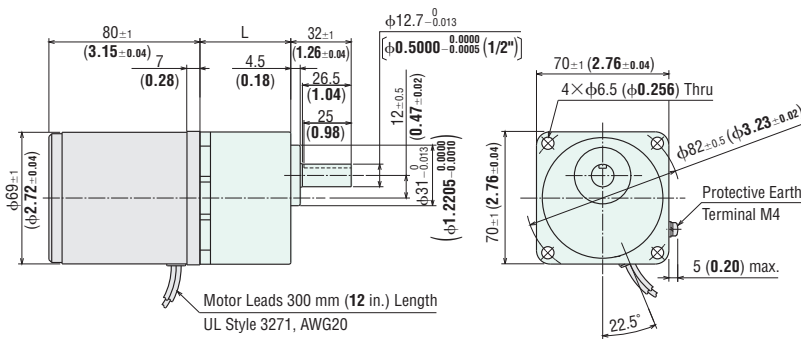


● 15 W (1/50 HP)

◇ Motor/Gearhead (Lead Wire Type)

| Product Name      | Motor Product Name | Gearhead Product Name | Gear Ratio | L         | CAD    |
|-------------------|--------------------|-----------------------|------------|-----------|--------|
| <b>3IK15</b> ■-□A | 3IK15GV-■          | 3GV□A                 | 5~25       | 38 (1.50) | A1244A |
|                   |                    |                       | 30~120     | 43 (1.69) | A1244B |
|                   |                    |                       | 150~360    | 48 (1.89) | A1244C |

Mass: 1.7 kg (3.7 lb.) (Including gearhead)

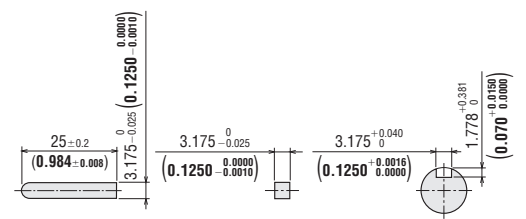


Motor Leads 300 mm (12 in.) Length  
UL Style 3271, AWG20

Detail Drawing of Protective Earth Terminal

◇ Key and Key Slot

(The key is included with the gearhead)

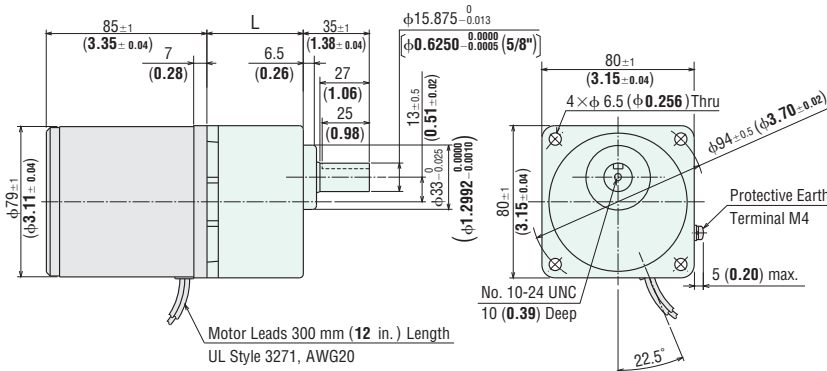


● 25 W (1/30 HP)

◇ Motor/Gearhead (Lead Wire Type)

| Product Name      | Motor Product Name | Gearhead Product Name | Gear Ratio | L         | CAD    |
|-------------------|--------------------|-----------------------|------------|-----------|--------|
| <b>4IK25</b> ■-□A | 4IK25GV-■          | 4GV□A                 | 5~25       | 41 (1.61) | A1245A |
|                   |                    |                       | 30~120     | 46 (1.81) | A1245B |
|                   |                    |                       | 150~360    | 51 (2.01) | A1245C |

Mass: 2.45 kg (5.4 lb.) (Including gearhead)

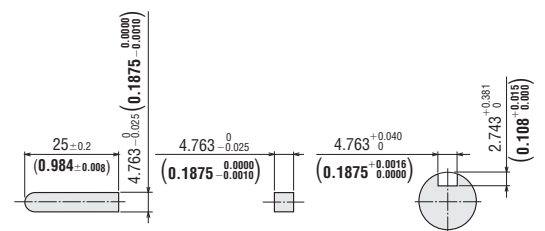


Motor Leads 300 mm (12 in.) Length  
UL Style 3271, AWG20

Detail Drawing of Protective Earth Terminal

◇ Key and Key Slot

(The key is included with the gearhead)



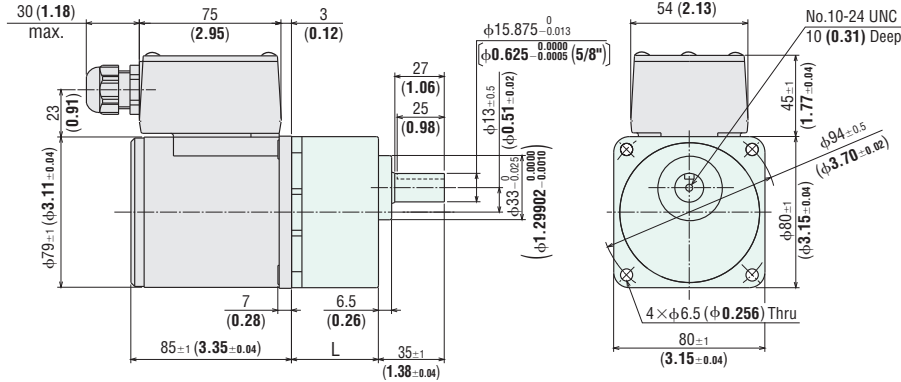
● A **UA** or **UC** indicating the power supply voltage is entered where the box (■) is located within the product name.  
Enter the gear ratio in the box (□) within the product name.

● 25 W (1/30 HP)

◇ Motor/Gearhead (Terminal Box Type)

| Product Name       | Motor Product Name | Gearhead Product Name | Gear Ratio     | L         | CAD    |
|--------------------|--------------------|-----------------------|----------------|-----------|--------|
| <b>4IK25</b> ■T-□A | 4IK25GV-■T         | 4GV□A                 | <b>5~25</b>    | 41 (1.61) | A1246A |
|                    |                    |                       | <b>30~120</b>  | 46 (1.81) | A1246B |
|                    |                    |                       | <b>150~360</b> | 51 (2.01) | A1246C |

Mass: 2.65 kg (5.8 lb.) (Including gearhead)



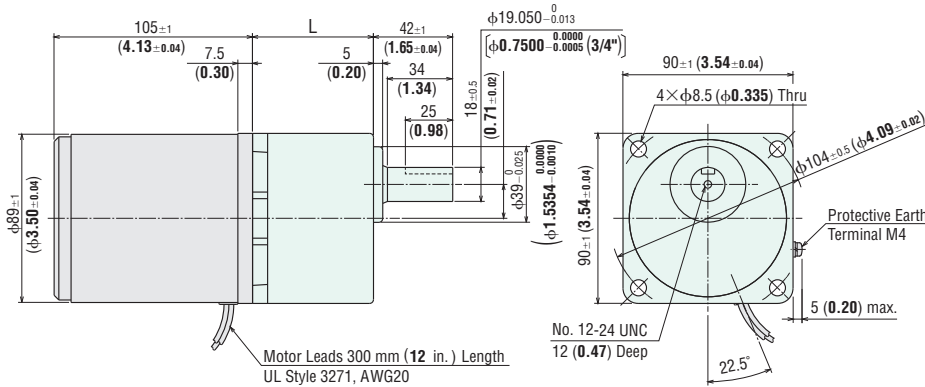
● Use cable with a diameter of  $\phi 6 \sim \phi 12$  mm ( $\phi 0.24 \sim \phi 0.47$  in.).

● 40 W (1/19 HP)

◇ Motor/Gearhead (Lead Wire Type)

| Product Name      | Motor Product Name | Gearhead Product Name | Gear Ratio     | L         | CAD    |
|-------------------|--------------------|-----------------------|----------------|-----------|--------|
| <b>5IK40</b> ■-□A | 5IK40GV-■          | 5GV□A                 | <b>5~18</b>    | 45 (1.77) | A1247A |
|                   |                    |                       | <b>25~100</b>  | 58 (2.28) | A1247B |
|                   |                    |                       | <b>120~300</b> | 64 (2.52) | A1247C |

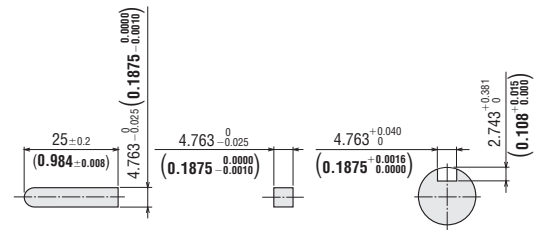
Mass: 4.0 kg (8.8 lb.) (Including gearhead)



Motor Leads 300 mm (12 in.) Length  
UL Style 3271, AWG20

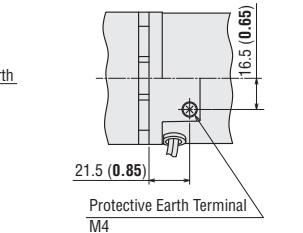
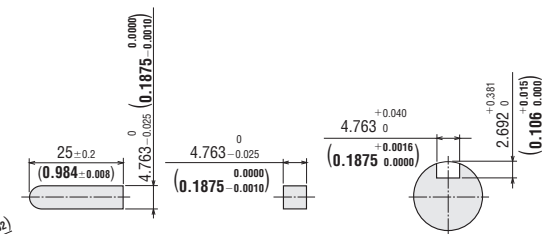
◇ Key and Key Slot

(The key is included with the gearhead)



◇ Key and Key Slot

(The key is included with the gearhead)

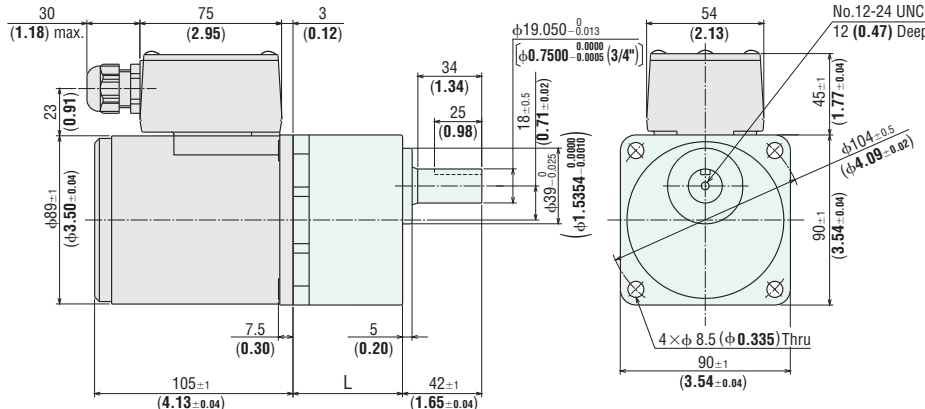


Detail Drawing of Protective Earth Terminal

◇ Motor/Gearhead (Terminal Box Type)

| Product Name       | Motor Product Name | Gearhead Product Name | Gear Ratio     | L         | CAD    |
|--------------------|--------------------|-----------------------|----------------|-----------|--------|
| <b>5IK40</b> ■T-□A | 5IK40GV-■T         | 5GV□A                 | <b>5~18</b>    | 45 (1.77) | A1248A |
|                    |                    |                       | <b>25~100</b>  | 58 (2.28) | A1248B |
|                    |                    |                       | <b>120~300</b> | 64 (2.52) | A1248C |

Mass: 4.2 kg (9.2 lb.) (Including gearhead)

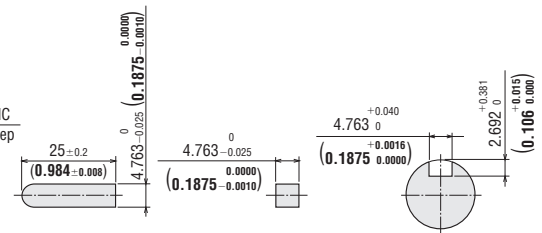


● Use cable with a diameter of  $\phi 6 \sim \phi 12$  mm ( $\phi 0.24 \sim \phi 0.47$  in.).

● A **UA** or **UC** indicating the power supply voltage is entered where the box (■) is located within the product name. Enter the gear ratio in the box (□) within the product name.

◇ Key and Key Slot

(The key is included with the gearhead)

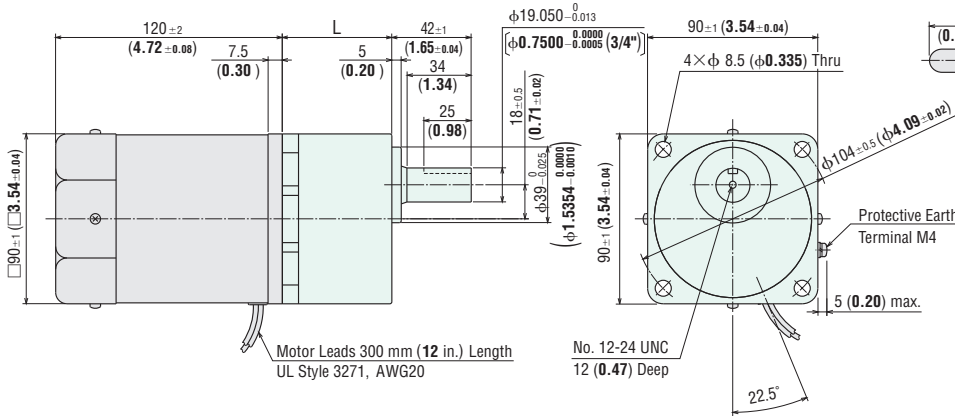


● 60 W (1/12 HP)

◇ Motor/Gearhead (Lead Wire Type)

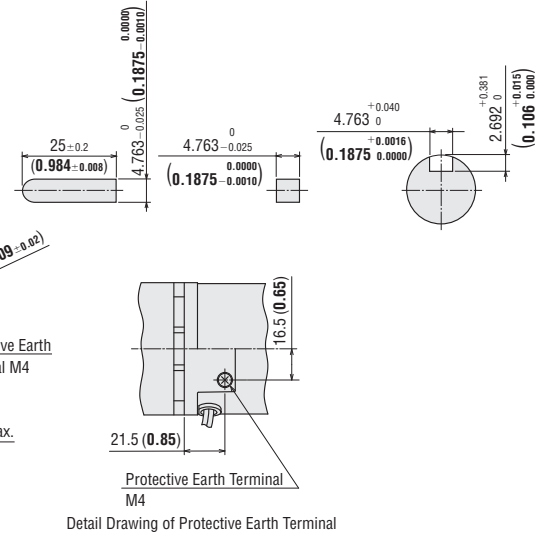
| Product Name              | Motor Product Name | Gearhead Product Name | Gear Ratio     | L         | CAD    |
|---------------------------|--------------------|-----------------------|----------------|-----------|--------|
| <b>5IK60</b> □-□ <b>A</b> | 5IK60GVH-■         | 5GVH□A                | <b>5~18</b>    | 45 (1.77) | A1249A |
|                           |                    |                       | <b>25~100</b>  | 58 (2.28) | A1249B |
|                           |                    |                       | <b>120~300</b> | 64 (2.52) | A1249C |

Mass: 4.2 kg (9.2 lb.) (Including gearhead)



◇ Key and Key Slot

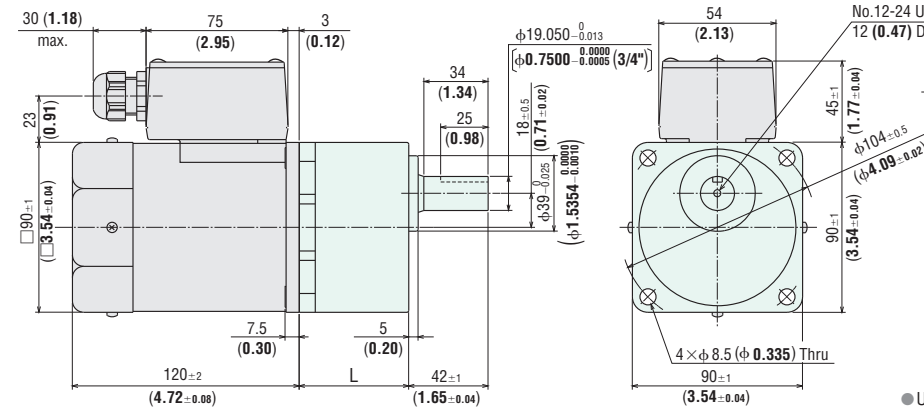
(The key is included with the gearhead)



◇ Motor/Gearhead (Terminal Box Type)

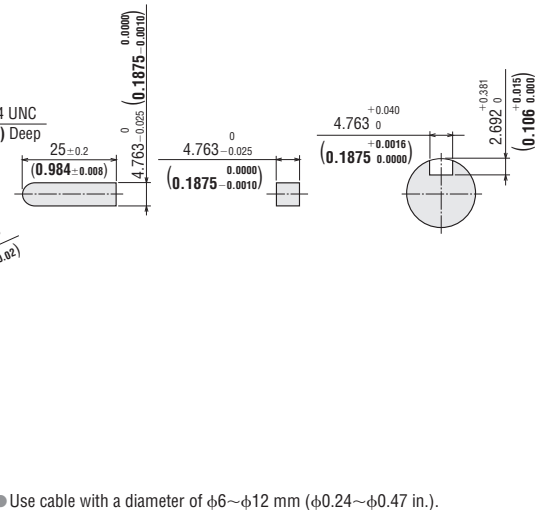
| Product Name               | Motor Product Name | Gearhead Product Name | Gear Ratio     | L         | CAD    |
|----------------------------|--------------------|-----------------------|----------------|-----------|--------|
| <b>5IK60</b> ■T-□ <b>A</b> | 5IK60GVH-■T        | 5GVH□A                | <b>5~18</b>    | 45 (1.77) | A1250A |
|                            |                    |                       | <b>25~100</b>  | 58 (2.28) | A1250B |
|                            |                    |                       | <b>120~300</b> | 64 (2.52) | A1250C |

Mass: 4.4 kg (9.7 lb.) (Including gearhead)



◇ Key and Key Slot

(The key is included with the gearhead)

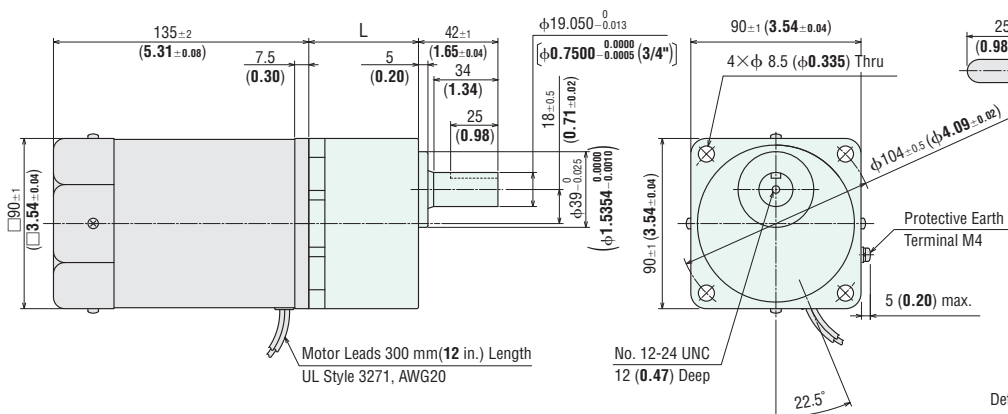


● 90 W (1/8 HP)

◇ Motor/Gearhead (Lead Wire Type)

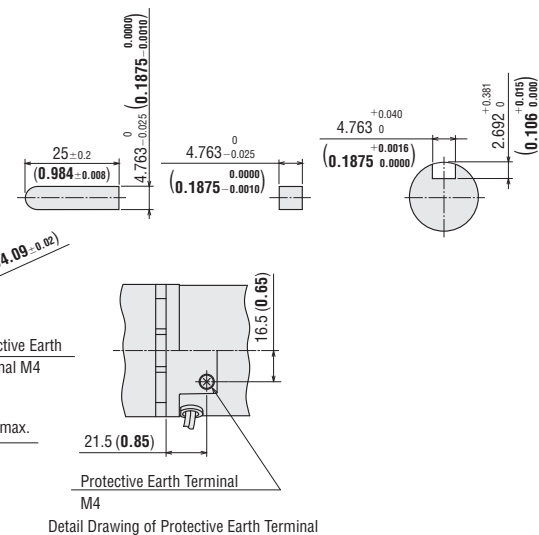
| Product Name              | Motor Product Name | Gearhead Product Name | Gear Ratio    | L         | CAD    |
|---------------------------|--------------------|-----------------------|---------------|-----------|--------|
| <b>5IK90</b> □-□ <b>A</b> | 5IK90GVR-■         | 5GVR□A                | <b>5~15</b>   | 45 (1.77) | A1251A |
|                           |                    |                       | <b>18~36</b>  | 58 (2.28) | A1251B |
|                           |                    |                       | <b>50~180</b> | 70 (2.76) | A1251C |

Mass: 4.7 kg (10.3 lb.) (Including gearhead)



◇ Key and Key Slot

(The key is included with the gearhead)



● A **UA** or **UC** indicating the power supply voltage is entered where the box (■) is located within the product name.  
Enter the gear ratio in the box (□) within the product name.



● 90 W (1/8 HP)

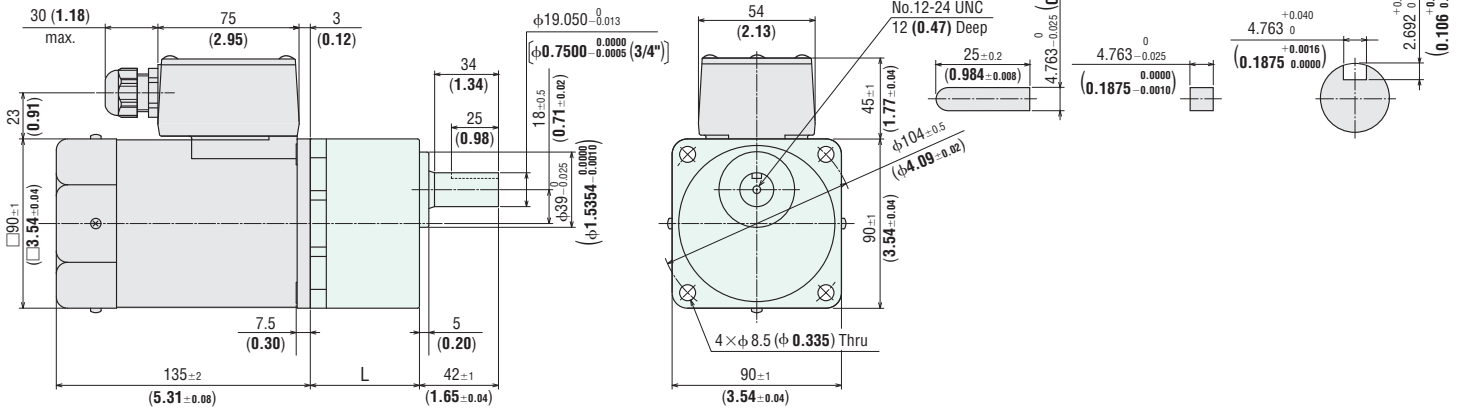
◇ Motor/Gearhead (Terminal Box Type)

| Product Name       | Motor Product Name | Gearhead Product Name | Gear Ratio    | L         | CAD    |
|--------------------|--------------------|-----------------------|---------------|-----------|--------|
| <b>5IK90</b> ■T-□A | 5IK90GVR-■T        | 5GVR□A                | <b>5-15</b>   | 45 (1.77) | A1252A |
|                    |                    |                       | <b>18-36</b>  | 58 (2.28) | A1252B |
|                    |                    |                       | <b>50-180</b> | 70 (2.76) | A1252C |

◇ Key and Key Slot

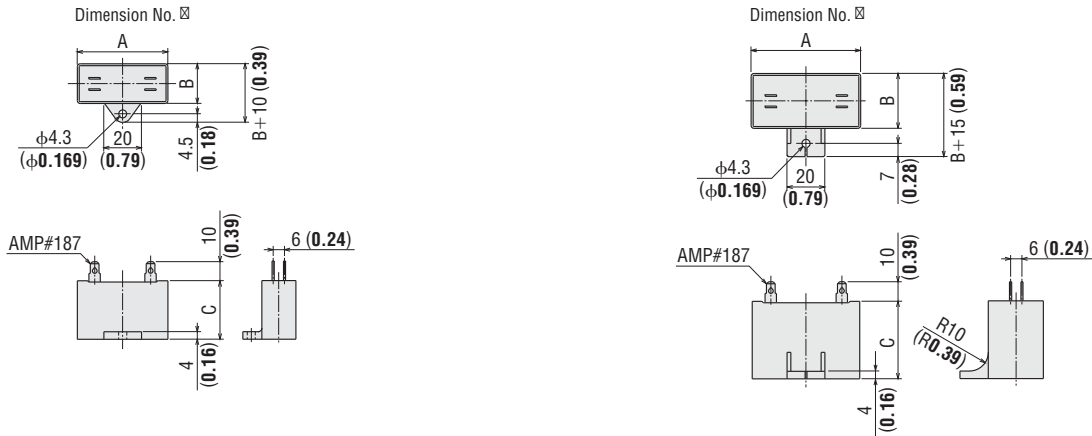
(The key is included with the gearhead)

Mass: 4.9 kg (10.8 lb.) (Including gearhead)



● Use cable with a diameter of φ6 φ12 mm (φ0.24 φ0.47 in.).

● Capacitor (Included with single-phase motors)



● Capacitor Dimensions Unit = mm (in.)

◇ Induction Motor

| Product Name       |                     | Capacitor Product Name | A         | B           | C           | Mass g (oz.) | Capacitor μF | Dimension No. |
|--------------------|---------------------|------------------------|-----------|-------------|-------------|--------------|--------------|---------------|
| Lead Wire Type     | Terminal Box Type   |                        |           |             |             |              |              |               |
| <b>2IK6UA</b> -□A  | -                   | CH25FAUL2              | 31 (1.22) | 17 (0.67)   | 27 (1.06)   | 21 (0.74)    | 2.5          | ①             |
| <b>2IK6UC</b> -□A  | -                   | CH06BFAUL              | 31 (1.22) | 14.5 (0.57) | 23.5 (0.93) | 18 (0.64)    | 0.6          |               |
| <b>3IK15UA</b> -□A | -                   | CH40FAUL2              | 31 (1.22) | 17 (0.67)   | 27 (1.06)   | 22 (0.78)    | 4            |               |
| <b>3IK15UC</b> -□A | -                   | CH10BFAUL              | 37 (1.46) | 18 (0.71)   | 27 (1.06)   | 27 (0.95)    | 1            |               |
| <b>4IK25UA</b> -□A | <b>4IK25UAT</b> -□A | CH60CFAUL2             | 38 (1.50) | 21 (0.83)   | 31 (1.22)   | 35 (1.24)    | 6            |               |
| <b>4IK25UC</b> -□A | <b>4IK25UCT</b> -□A | CH15BFAUL              | 38 (1.50) | 21 (0.83)   | 31 (1.22)   | 37 (1.31)    | 1.5          |               |
| <b>5IK40UA</b> -□A | <b>5IK40UAT</b> -□A | CH90CFAUL2             | 48 (1.89) | 22.5 (0.89) | 31.5 (1.24) | 45 (1.59)    | 9.0          |               |
| <b>5IK40UC</b> -□A | <b>5IK40UCT</b> -□A | CH20BFAUL              | 48 (1.89) | 19 (0.75)   | 29 (1.14)   | 36 (1.27)    | 2.0          |               |
| <b>5IK60UA</b> -□A | <b>5IK60UAT</b> -□A | CH160CFAUL2            | 58 (2.28) | 23.5 (0.93) | 37 (1.46)   | 71 (2.50)    | 16           |               |
| <b>5IK60UC</b> -□A | <b>5IK60UCT</b> -□A | CH40BFAUL              | 58 (2.28) | 23.5 (0.93) | 37 (1.46)   | 73 (2.6)     | 4            |               |
| <b>5IK90UA</b> -□A | <b>5IK90UAT</b> -□A | CH200CFAUL2            | 58 (2.28) | 29 (1.14)   | 41 (1.61)   | 91 (3.2)     | 20           | ②             |
| <b>5IK90UC</b> -□A | <b>5IK90UCT</b> -□A | CH50BFAUL              | 58 (2.28) | 29 (1.14)   | 41 (1.61)   | 93 (3.3)     | 5            |               |

● A capacitor cap is included with the capacitor.

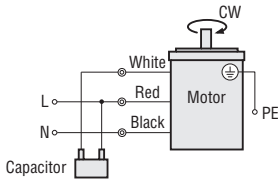
## Connection Diagram

- The rotation direction of the motor is as viewed from the output shaft of the motor. CW represents the clockwise direction, while CCW represents the counterclockwise direction.
- The rotation direction of the gearhead output shaft may differ from that of the motor output shaft depending on the gear ratio of the gearhead. Refer to the permissible torque table for the rotation direction.

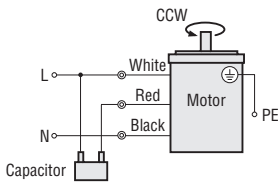
### Induction Motor

Single-Phase 110/115 VAC  
Single-Phase 220/230 VAC

Clockwise



Counterclockwise



#### Note

- Change the direction of single-phase motor rotation only after bringing the motor to a stop. If an attempt is made to change the direction of rotation while the motor is rotating, the motor may ignore the reversing command or change its direction of rotation after some delay.

## List of Combination Type Combinations

Product names for motor and gearhead combination type are shown below.

| Type              | Product Name       | Motor Product Name | Gearhead Product Name |
|-------------------|--------------------|--------------------|-----------------------|
| Lead Wire Type    | <b>2IK6UA-□A</b>   | 2IK6GV-UA          | 2GV□A                 |
|                   | <b>2IK6UC-□A</b>   | 2IK6GV-UC          |                       |
|                   | <b>3IK15UA-□A</b>  | 3IK15GV-UA         | 3GV□A                 |
|                   | <b>3IK15UC-□A</b>  | 3IK15GV-UC         |                       |
|                   | <b>4IK25UA-□A</b>  | 4IK25GV-UA         | 4GV□A                 |
|                   | <b>4IK25UC-□A</b>  | 4IK25GV-UC         |                       |
|                   | <b>5IK40UA-□A</b>  | 5IK40GV-UA         | 5GV□A                 |
|                   | <b>5IK40UC-□A</b>  | 5IK40GV-UC         |                       |
|                   | <b>5IK60UA-□A</b>  | 5IK60GVH-UA        | 5GVH□A                |
|                   | <b>5IK60UC-□A</b>  | 5IK60GVH-UC        |                       |
| Terminal Box Type | <b>5IK90UA-□A</b>  | 5IK90GVR-UA        | 5GVR□A                |
|                   | <b>5IK90UC-□A</b>  | 5IK90GVR-UC        |                       |
|                   | <b>4IK25UAT-□A</b> | 4IK25GV-UAT        | 4GV□A                 |
|                   | <b>4IK25UCT-□A</b> | 4IK25GV-UCT        |                       |
|                   | <b>5IK40UAT-□A</b> | 5IK40GV-UAT        | 5GV□A                 |
|                   | <b>5IK40UCT-□A</b> | 5IK40GV-UCT        |                       |
|                   | <b>5IK60UAT-□A</b> | 5IK60GVH-UAT       | 5GVH□A                |
|                   | <b>5IK60UCT-□A</b> | 5IK60GVH-UCT       |                       |
|                   | <b>5IK90UAT-□A</b> | 5IK90GVR-UAT       | 5GVR□A                |
|                   | <b>5IK90UCT-□A</b> | 5IK90GVR-UCT       |                       |

- Enter the gear ratio in the box (□) within the product name.

# Accessories (Sold separately)

## Motor/Gearhead Mounting Bracket (RoHS)

These dedicated mounting brackets can be used for installing the motors.

Material: Aluminum alloy Surface treatment: Paint

| Product Name    | Applicable Product |                    | List Price |
|-----------------|--------------------|--------------------|------------|
|                 | Lead Wire Type     | Terminal Box Type  |            |
| <b>SOL2U08F</b> | <b>2IK6U□-□A</b>   | —                  | \$22.00    |
| <b>SOL3UAF</b>  | <b>3IK15U□-□A</b>  | —                  | \$25.00    |
| <b>SOL4UAF</b>  | <b>4IK25U□-□A</b>  | <b>4IK25U□T-□A</b> | \$27.00    |
| <b>SOL5UBF</b>  | <b>5IK40U□-□A</b>  | <b>5IK40U□T-□A</b> | \$29.00    |
|                 | <b>5IK60U□-□A</b>  | <b>5IK60U□T-□A</b> | \$29.00    |
|                 | <b>5IK90U□-□A</b>  | <b>5IK90U□T-□A</b> | \$29.00    |

- A** or **C** indicating the power supply voltage is entered where the box (□) is located within the product name.

Enter the gear ratio in the box (□) within the product name.



## Flexible Coupling (RoHS)

These are clamp type couplings for connecting the motor and gearhead shaft with the driven shaft.  
Once the gearhead is determined, the coupling can be selected.



| Gearhead Product Name |            | Coupling Type | Shaft Diameter |        |       | Connected Device Shaft Diameter |      |        |       |         | List Price |
|-----------------------|------------|---------------|----------------|--------|-------|---------------------------------|------|--------|-------|---------|------------|
|                       |            |               |                |        |       | F05                             | F06  | F08    | F10   | F12     |            |
| Uniform Load          | Shock Load |               | mm             | in.    | 7.937 | 9.525                           | 12.7 | 15.875 | 19.05 |         |            |
|                       |            |               |                |        | mm    | mm                              | mm   | mm     | mm    |         |            |
|                       |            |               |                |        | 5/16  | 3/8                             | 1/2  | 5/8    | 3/4   |         |            |
|                       |            |               |                |        | in.   | in.                             | in.  | in.    | in.   |         |            |
| 2IK6U-□A              |            | MCL30         | F06            | 9.525  | 3/8   | ●                               | ●    | ●      |       | \$51.00 |            |
| 2IK6U-T-□A            |            |               | F08            | 12.7   | 1/2   |                                 | ●    | ●      |       |         |            |
| 3IK15U-□A             |            | MCL40         | F08            | 12.7   | 1/2   |                                 | ●    | ●      | ●     | \$76.00 |            |
| 3IK15U-T-□A           |            |               | F10            | 15.875 | 5/8   |                                 |      | ●      | ●     |         |            |
| 4IK25U-□A             |            | MCL55         | F10            | 15.875 | 5/8   |                                 |      |        | ●     | \$97.00 |            |
| 4IK25U-T-□A           |            |               | F12            | 19.05  | 3/4   |                                 |      |        | ●     |         |            |
| 5IK40U-□A             |            |               |                |        |       |                                 |      |        |       |         |            |
| 5IK40U-T-□A           |            |               |                |        |       |                                 |      |        |       |         |            |
| 5IK60U-□A             |            |               |                |        |       |                                 |      |        |       |         |            |
| 5IK60U-T-□A           |            |               |                |        |       |                                 |      |        |       |         |            |
| 5IK90U-□A             |            |               |                |        |       |                                 |      |        |       |         |            |
| 5IK90U-T-□A           |            |               |                |        |       |                                 |      |        |       |         |            |

● A or C indicating the power supply voltage is entered where the box (□) is located within the product name.  
Enter the gear ratio in the box (□) within the product name.

Specifications are subject to change without notice. This catalog was published in July, 2013.

# ORIENTAL MOTOR U.S.A. CORP.

**Western Sales and Customer Service Center**  
Tel: (310) 715-3301 Fax: (310) 225-2594  
Los Angeles  
Tel: (310) 715-3301  
San Jose  
Tel: (408) 392-9735

**Midwest Sales and Customer Service Center**  
Tel: (847) 871-5900 Fax: (847) 472-2623  
Chicago  
Tel: (847) 871-5900  
Dallas  
Tel: (214) 432-3386  
Toronto  
Tel: (905) 502-5333

**Eastern Sales and Customer Service Center**  
Tel: (781) 848-2426 Fax: (781) 848-2617  
Boston  
Tel: (781) 848-2426  
Charlotte  
Tel: (704) 766-1335  
New York  
Tel: (973) 359-1100

**Technical Support**  
Tel: (800) 468-3982 / 8:30 A.M. to 5:00 P.M., P.S.T. (M-F)  
7:30 A.M. to 5:00 P.M., C.S.T. (M-F)  
E-mail: techsupport@orientalmotor.com

**Obtain Specifications, Online Training and Purchase Products at:**  
[www.orientalmotor.com](http://www.orientalmotor.com)