

2-Pole, High Speed Type Induction Motors

40 W (1/19 HP) • 60 W (1/12 HP) • 90 W (1/8 HP)

Frame Size: □ 3.15 in. (□ 80 mm), □ 3.54 in. (□ 90 mm)

Specifications — Continuous Rating

Model	Output Power		Voltage	Frequency	Current	Starting Torque		Rated Torque		Rated Speed	Capacitor
	HP	W	VAC	Hz	A	oz-in	mN·m	oz-in	mN·m	r/min	μF
41K40A-BA	1/19	40	Single-Phase 115	60	0.8	13.4	95	18.4	130	3000	8.0
51K60A-BA	1/12	60	Single-Phase 115	60	1.2	17	120	26	185	3200	12.0
51K90A-BFUL	1/8	90	Single-Phase 115	60	2.0	31	220	39	280	3200	20.0

Contains a built-in thermal protector. If a motor overheats for any reason, the thermal protector is opened and the motor stops. When the motor temperature drops, the thermal protector closes and the motor restarts. Be sure to turn the motor off before inspecting.

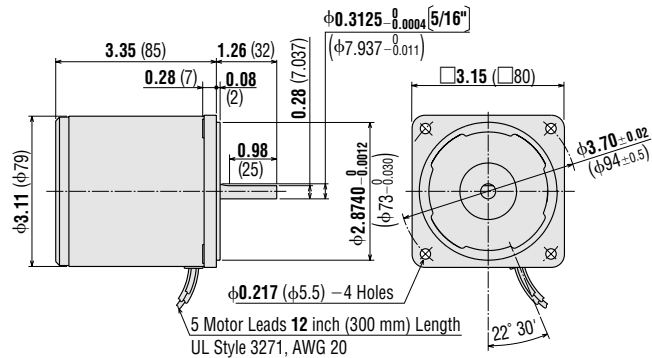
• Details of Safety Standard → Page G-2

Dimensions Scale 1/4, Unit = inch (mm)

41K40A-BA

Weight: 3.3 lb. (1.5 kg)

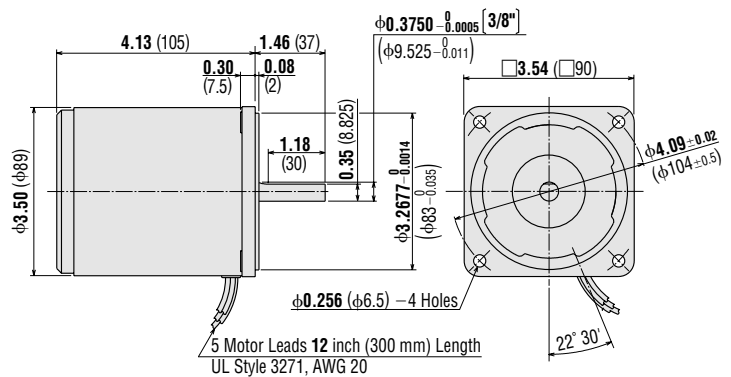
A327U



51K60A-BA

Weight: 5.5 lb. (2.5 kg)

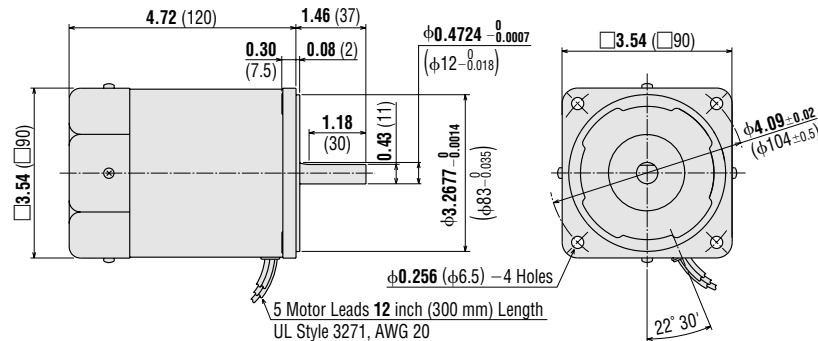
A329U



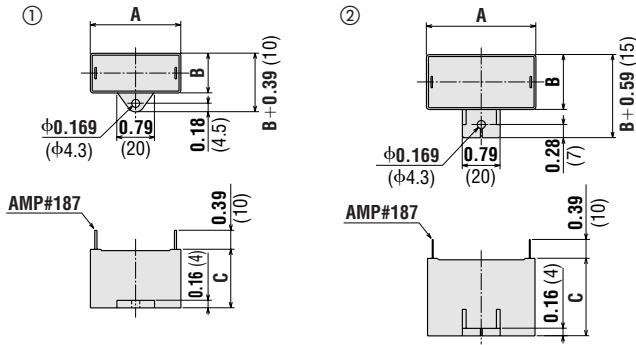
51K90A-BFUL

Weight: 5.9 lb. (2.7 kg)

A331



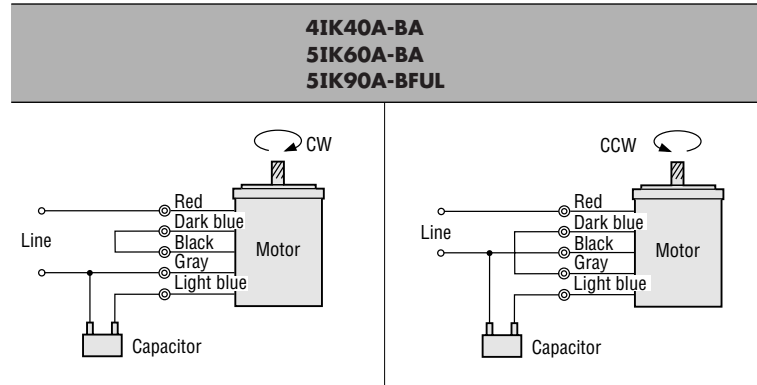
● **Capacitor** (included with the motors)



Motor Model	Capacitor Model	Dimensions in. (mm)			Weight oz. (g)	Dimensions Number
		A	B	C		
4IK40A-BA	CH80UL	1.50 (38)	0.83 (21)	1.22 (31)	1.2 (35)	①
5IK60A-BA	CH120UL	1.89 (48)	0.83 (21)	1.22 (31)	1.6 (44)	①
5IK90A-BFUL	CH200UL	2.28 (58)	0.91 (23)	1.46 (37)	2.3 (65)	②

● If you need to order a capacitor without a motor, add "-C" to the capacitor model number shown. A capacitor cap is included with a capacitor.

■ **Connection Diagrams**



- The direction of motor rotation is as viewed from the shaft end of the motor.
- CW represents the clockwise direction, while CCW represents the counterclockwise direction.

Note:

- Change the direction of a single-phase motor rotation only after bringing the motor to a stop. If an attempt is made to change the direction of rotation while the motor is rotating, the motor may ignore the reversing command or change its direction of rotation after some delay.