

MU Series

Slim-Line, General-Purpose Models

4.69 in. sq. × 1.50 in. thick
(119 mm sq. × 38 mm thick)



Materials

Frame: Die Cast Aluminum
Blades: Resin
Flammability Grade: V-O

Specifications

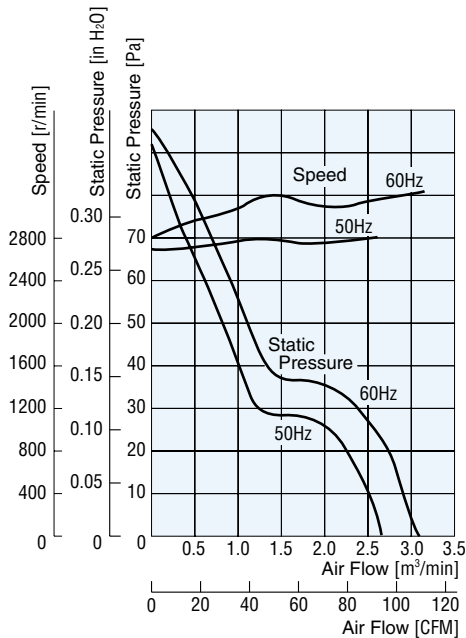


Speed Type	Model	Voltage V	Frequency Hz	Input Power W	Current A	Locked Rotor Current A	Speed r/min	Max. Air Flow CFM	Max. Air Flow m³/min	Max. Static Pressure in H ₂ O	Max. Static Pressure Pa	Noise Level dB (A)	
Standard-Speed	MU1238A-21B	Single-Phase 115	50	14.0	0.20	0.26	2700	95	2.7	0.326	81	43	
			60	13.0	0.18	0.23	3050	106	3.0	0.326	81	46	
	MU1238A-51B	Single-Phase 220	50	13.5	0.10	0.14	2700	95	2.7	0.326	81	43	
			Single-Phase 230	50	16.0	0.11	0.15	2700	95	2.7	0.326	81	43
				60	13.5	0.10	0.13	3050	106	3.0	0.326	81	46
Middle-Speed	MU1238B-21B	Single-Phase 115	50	12.5	0.16	0.19	2300	78	2.2	0.208	52	38	
			60	11.5	0.15	0.17	2500	88	2.5	0.208	52	40	
	MU1238B-51B	Single-Phase 220	50	11.5	0.09	0.10	2300	78	2.2	0.208	52	38	
			Single-Phase 230	50	14.0	0.09	0.10	2400	81	2.3	0.237	59	39
				60	11.5	0.09	0.10	2500	88	2.5	0.208	52	40
Low-Speed	MU1238L-21B	Single-Phase 115	50	8.0	0.10	0.12	2000	67	1.9	0.137	34	33	
			60	7.5	0.09	0.11	1900	64	1.8	0.110	27	32	
	MU1238L-51B	Single-Phase 220	50	7.5	0.06	0.07	1950	65	1.85	0.137	34	33	
			Single-Phase 230	50	9.5	0.06	0.07	2000	67	1.9	0.137	34	34
				60	7.5	0.06	0.07	2000	67	1.9	0.110	29	33

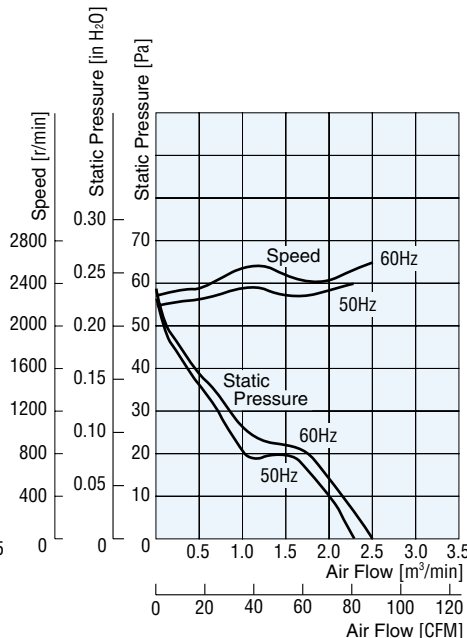
- Values for maximum air flow and maximum static pressure are measured by the double-chamber method.
- Noise level is measured in the A range, at a distance of 3.3 feet from the fan intake side.
- These products are impedance protected.
- Fans bearing the CE mark should only be used with class I equipment. When installing into the equipment, either ground the fan or ensure that there is no contact with bare hands. For protection, use the optional finger guard.
- Standards specifications are listed on page D-2.

Air Flow — Static Pressure Characteristics

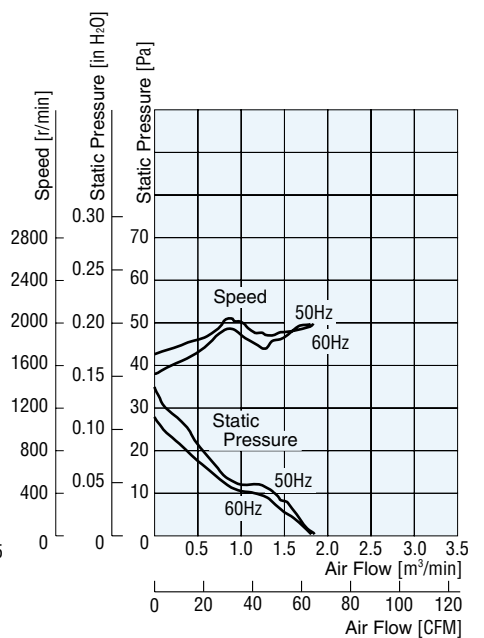
MU1238A



MU1238B



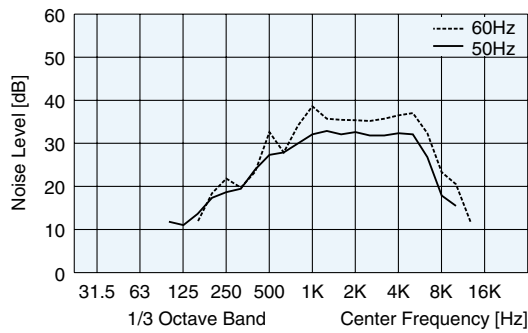
MU1238L



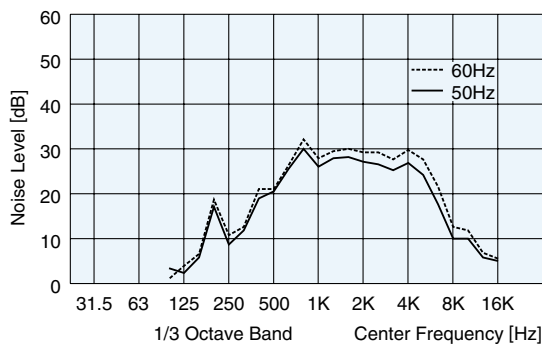
Audible Noise Frequency Analysis

Measured at a distance of 3.3 feet from the fan intake side

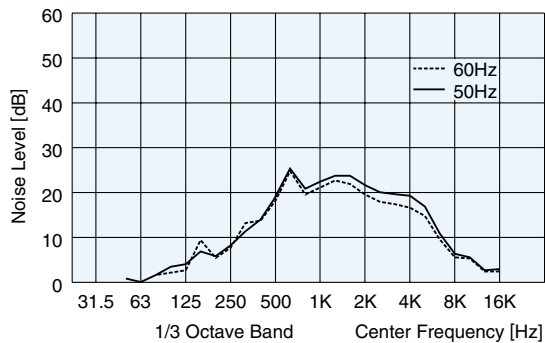
MU1238A



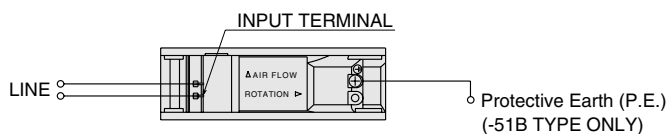
MU1238B



MU1238L

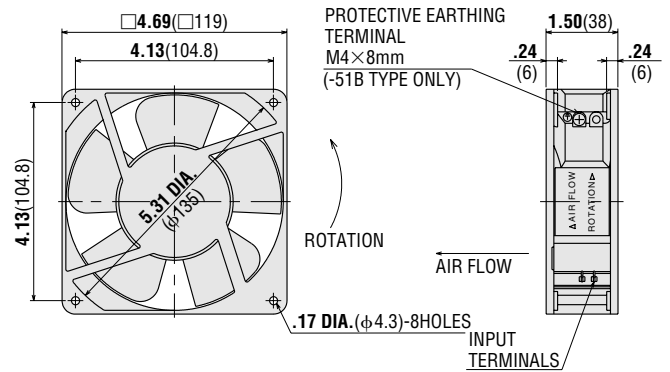


Wiring Diagram

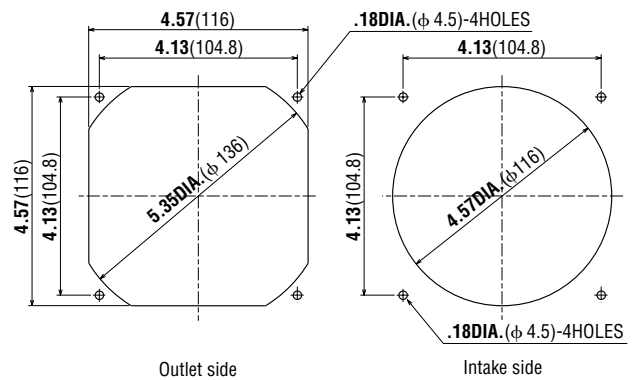


Dimensions Scale 1/4, Unit = inch (mm)

Weight (Mass) : 1.2 lb. (0.53kg)



Panel Cut-Out Scale 1/4, Unit = inch (mm)



Accessories (Sold separately)

Item	Model	Safety Standards	Page
Finger Guard	FG12D	*1	C-100
Filter	FL12	—	C-103
Screen	FS12	—	C-106
Plug Cord (3.3 feet)	PCA2B PCA2D	*2 *3	C-107
Plug Cord (6.6 feet)	PCA2D₂	*3	

*1 These products have been designed to pass tests set forth under the UL and CSA standards for equipment used in fans. They conform to the standards only when used in **ORIX.FAN**.

*2 They conform to UL standard only when used in **ORIX.FAN**, and certified by CSA and Electrical Appliance and Material Control Law.

*3 They conform to UL standard only when used in **ORIX.FAN**, and certified by CSA standard.



A filter or screen can be installed in place of the finger guard.

MU Series

Slim-Line, General-Purpose Models

4.69 in. sq. × .98 in. thick
(119 mm sq. × 25 mm thick)



Materials

Frame: Die Cast Aluminum
Blades: Resin
Flammability Grade: V-O

Specifications



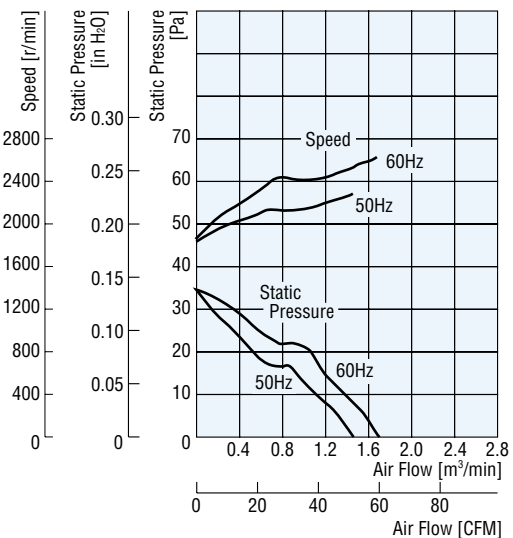
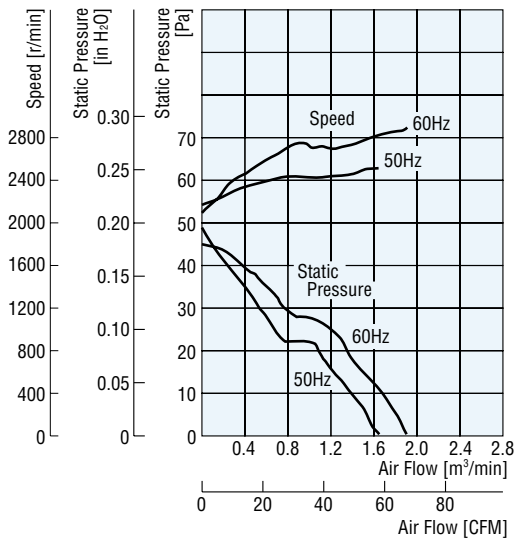
Speed Type	Model	Voltage V	Frequency Hz	Input Power W	Current A	Locked Rotor Current A	Speed r/min	Max. Air Flow		Max. Static Pressure		Noise Level dB (A)
								CFM	m ³ /min	in H ₂ O	Pa	
Standard-Speed	MU1225S-21	Single-Phase 115	50	11.0	0.14	0.15	2500	57	1.6	0.196	49	36
			60	9.5	0.12	0.13	2950	67	1.9	0.177	44	40
	MU1225S-51	Single-Phase 220	50	10.5	0.07	0.08	2500	57	1.6	0.196	49	36
			50	12.0	0.08	0.09	2500	57	1.6	0.196	49	36
			60	10.0	0.07	0.08	2950	67	1.9	0.177	44	40
Middle-Speed	MU1225M-21	Single-Phase 115	50	10.5	0.13	0.14	2250	49.4	1.4	0.129	32	33
			60	9.0	0.11	0.12	2600	60	1.7	0.125	31	37
	MU1225M-51	Single-Phase 220	50	10.0	0.07	0.08	2250	49.4	1.4	0.129	32	33
			50	12.0	0.07	0.08	2250	49.4	1.4	0.129	32	33
			60	9.5	0.07	0.08	2600	60	1.7	0.125	31	37

- Values for maximum air flow and maximum static pressure are measured by the double-chamber method.
- Noise level is measured in the A range, at a distance of 3.3 feet from the fan intake side.
- These products are impedance protected.
- Fans bearing the CE mark should only be used with class I equipment. When installing into the equipment, either ground the fan or ensure that there is no contact with bare hands. For protection, use the optional finger guard.
- Standards specifications are listed on page D-2.

Air Flow — Static Pressure Characteristics

MU1225S

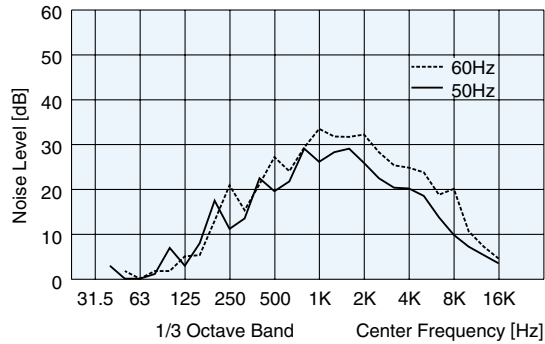
MU1225M



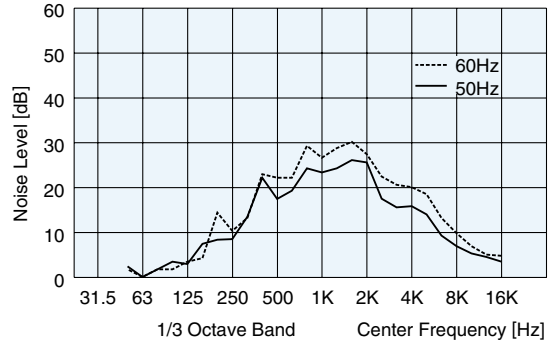
Audible Noise Frequency Analysis

Measured at a distance of 3.3 feet from the fan intake side

MU1225S

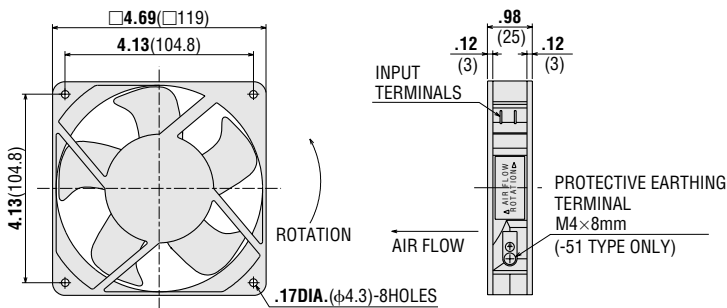


MU1225M

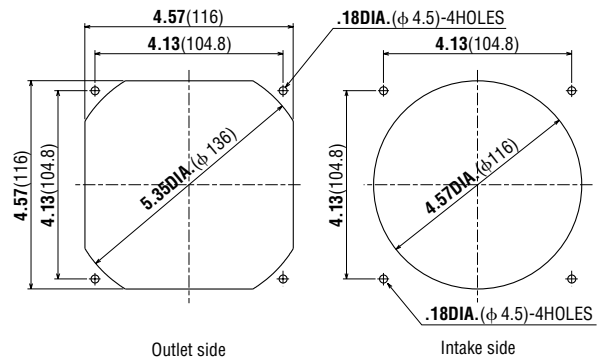


Dimensions Scale 1/4, Unit = inch (mm)

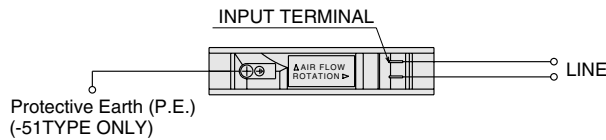
Weight (Mass) : 0.68 lb. (0.31kg)



Panel Cut-Out Scale 1/4, Unit = inch (mm)



Wiring Diagram



Accessories (Sold separately)

Item	Model	Safety Standards	Page
Finger Guard	FG12D	*1	C-100
Filter	FL12	—	C-103
Screen	FS12	—	C-106
Plug Cord (3.3 feet)	PCA2B PCA2D	*2 *3	C-107
Plug Cord (6.6 feet)	PCA2D₂	*3	

*1 These products have been designed to pass tests set forth under the UL and CSA standards for equipment used in fans. They conform to the standards only when used in **ORIX.FAN**.

*2 They conform to UL standard only when used in **ORIX.FAN**, and certified by CSA and Electrical Appliance and Material Control Law.

*3 They conform to UL standard only when used in **ORIX.FAN**, and certified by CSA standard.



A filter or screen can be installed in place of the finger guard.

MU Series

Slim-Line, General-Purpose Models

3.62 in. sq. × .98 in. thick
(92 mm sq. × 25 mm thick)



Materials

Frame: Die Cast Aluminum
Blades: Resin
Flammability Grade: V-0

Specifications

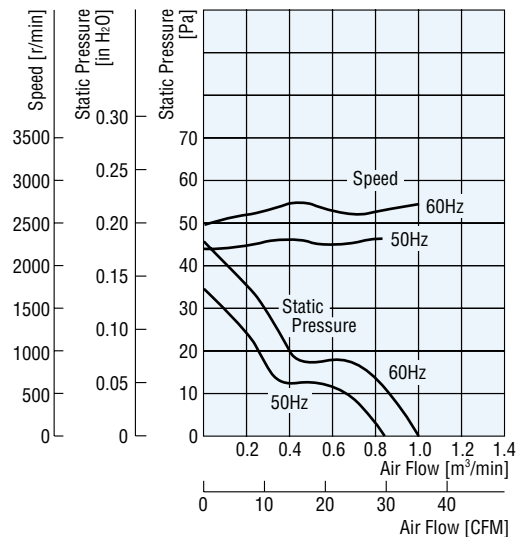
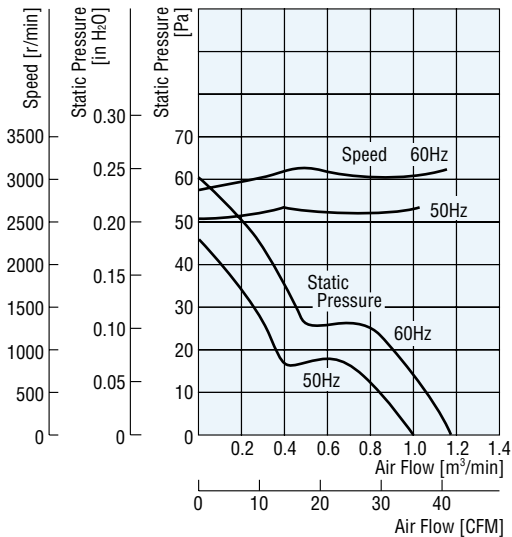
Speed Type	Model	Voltage V	Frequency Hz	Input Power W	Current A	Locked Rotor Current A	Speed r/min	Max. Air Flow		Max. Static Pressure		Noise Level dB (A)	
								CFM	m ³ /min	in H ₂ O	Pa		
Standard-Speed	MU925S-21	Single-Phase 115	50	9.5	0.11	0.12	2600	33.5	0.95	0.177	44	37	
			60	8.0	0.10	0.11	3000	38.8	1.10	0.236	59	42	
	MU925S-51	Single-Phase 220	50	8.5	0.06	0.07	2600	33.5	0.95	0.177	44	37	
			230	50	10.5	0.07	0.08	2600	33.5	0.95	0.177	44	38
			230	60	8.0	0.06	0.07	3000	38.8	1.10	0.236	59	42
Middle-Speed	MU925M-21	Single-Phase 115	50	9.0	0.11	0.12	2300	30.0	0.85	0.137	34	33	
			60	8.0	0.10	0.11	2700	35.3	1.00	0.177	44	38	
	MU925M-51	Single-Phase 220	50	8.5	0.06	0.07	2300	30.0	0.85	0.137	34	33	
			230	50	9.5	0.06	0.07	2300	30.0	0.85	0.137	34	33
			230	60	8.0	0.06	0.07	2700	35.3	1.00	0.177	44	38

- Values for maximum air flow and maximum static pressure are measured by the double-chamber method.
- Noise level is measured in the A range, at a distance of 3.3 feet from the fan intake side.
- These products are impedance protected.
- Fans bearing the CE mark should only be used with class I equipment. When installing into the equipment, either ground the fan or ensure that there is no contact with bare hands. For protection, use the optional finger guard.
- Standards specifications are listed on page D-2.

Air Flow — Static Pressure Characteristics

MU925S

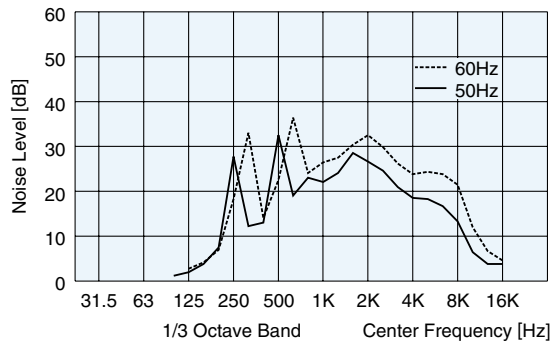
MU925M



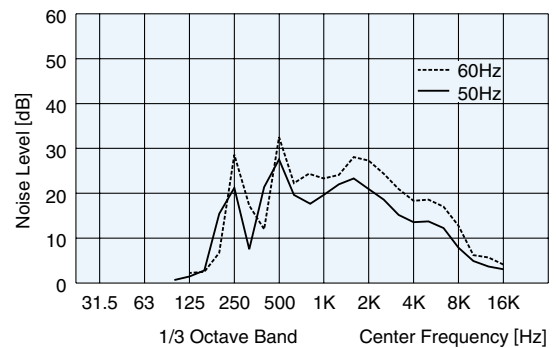
Audible Noise Frequency Analysis

Measured at a distance of 3.3 feet from the fan intake side

MU925S

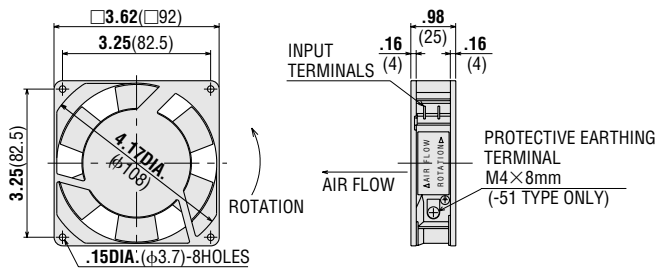


MU925M

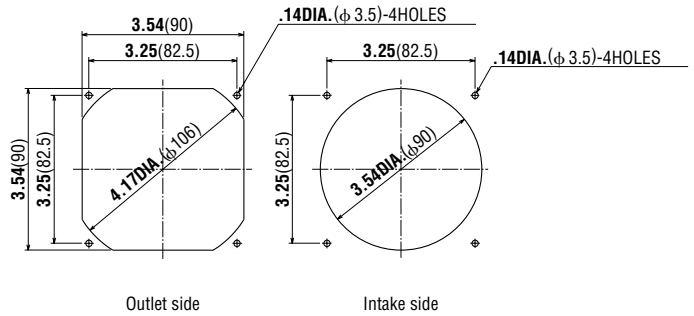


Dimensions Scale 1/4, Unit = inch (mm)

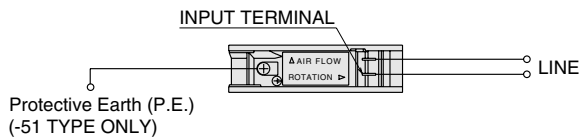
Weight (Mass) : 0.60 lb. (0.27kg)



Panel Cut-Out Scale 1/4, Unit = inch (mm)



Wiring Diagram



Accessories (Sold separately)

Item	Model	Safety Standards	Page
Finger Guard	FG9D	*1	C-100
Filter	FL9	—	C-103
Screen	FS9	—	C-106
Plug Cord (3.3 feet)	PCA2B PCA2D	*2 *3	C-107
Plug Cord (6.6 feet)	PCA2D₂	*3	

*1 These products have been designed to pass tests set forth under the UL and CSA standards for equipment used in fans. They conform to the standards only when used in **ORIX.FAN**.

*2 They conform to UL standard only when used in **ORIX.FAN**, and certified by CSA and Electrical Appliance and Material Control Law.

*3 They conform to UL standard only when used in **ORIX.FAN**, and certified by CSA standard.



● A filter or screen can be installed in place of the finger guard.

MU Series

Slim-Line, General-Purpose Models

3.15 in. sq. × .98 in. thick
(80 mm sq. × 25 mm thick)



Materials

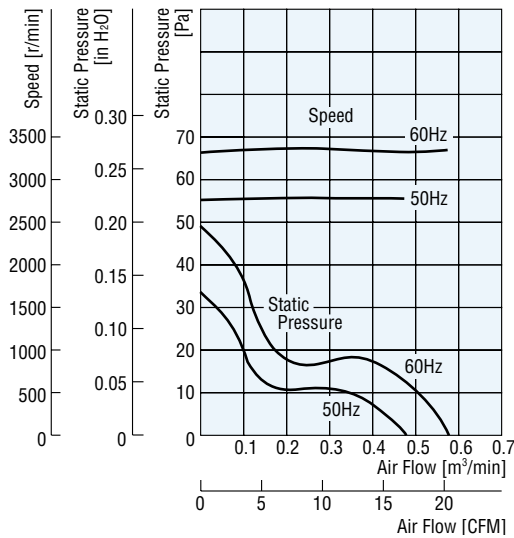
Frame: Die Cast Aluminum
Blades: Resin
Flammability Grade: V-O

Specifications

Speed Type	Model	Voltage V	Frequency Hz	Input Power W	Current A	Locked Rotor Current A	Speed r/min	Max. Air Flow		Max. Static Pressure		Noise Level dB (A)
								CFM	m ³ /min	in H ₂ O	Pa	
Standard-Speed	MU8255-23	Single-Phase 115	50	9.5	0.11	0.13	2750	15.9	0.45	0.137	34	28
			60	8.0	0.09	0.11	3250	19.4	0.55	0.196	49	35
	MU8255-53	Single-Phase 220	50	8.5	0.06	0.07	2750	15.9	0.45	0.137	34	28
			60	8.0	0.06	0.07	3250	19.4	0.55	0.196	49	35
			50	10.5	0.07	0.08	2750	15.9	0.45	0.137	34	28
			60	8.0	0.06	0.07	3250	19.4	0.55	0.196	49	35

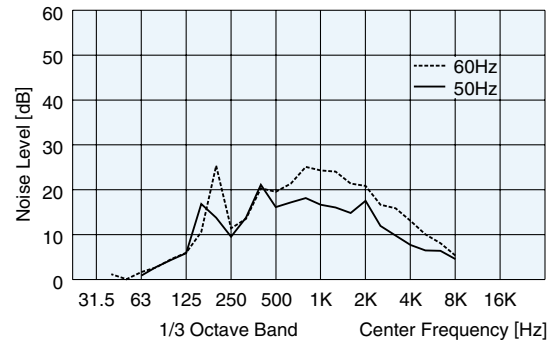
- Values for maximum air flow and maximum static pressure are measured by the double-chamber method.
- Noise level is measured in the A range, at a distance of 3.3 feet from the fan intake side.
- These products are impedance protected.
- Fans bearing the CE mark should only be used with class I equipment. When installing into the equipment, either ground the fan or ensure that there is no contact with bare hands. For protection, use the optional finger guard.
- Standards specifications are listed on page D-2.

Air Flow — Static Pressure Characteristics



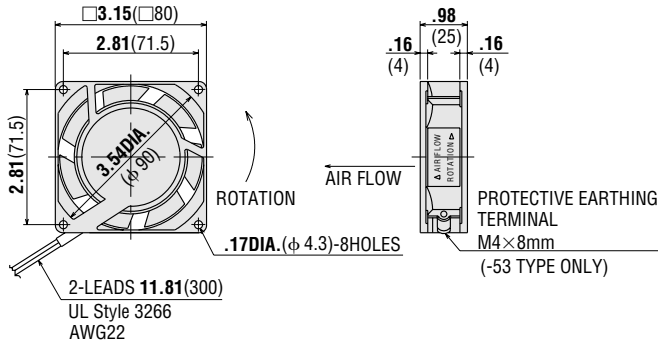
Audible Noise Frequency Analysis

Measured at a distance of 3.3 feet from the fan intake side

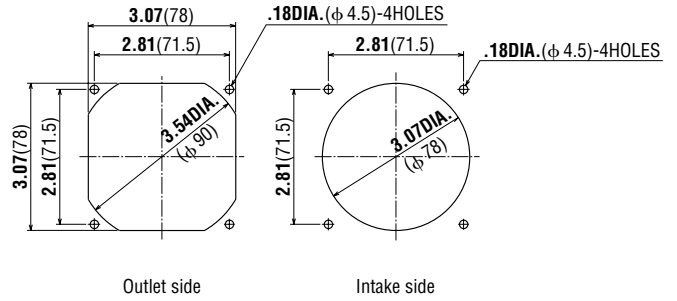


■ **Dimensions** Scale 1/4, Unit = inch (mm)

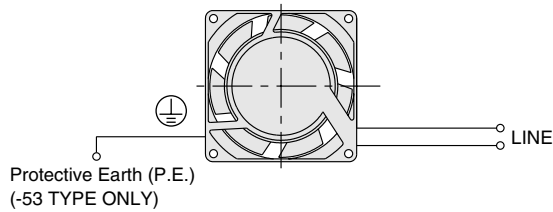
● Weight (Mass) : 0.55 lb. (0.25kg)



■ **Panel Cut-Out** Scale 1/4, Unit = inch (mm)



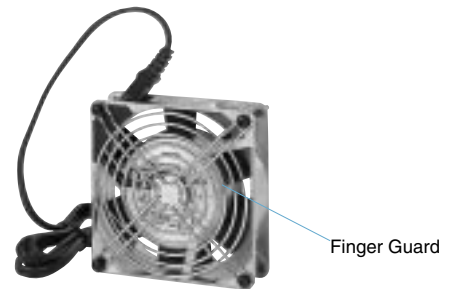
■ **Wiring Diagram**



■ **Accessories** (Sold separately)

Item	Model	Safety Standards	Page
Finger Guard	FG8D	*	C-100
Filter	FL8	—	C-103
Screen	FS8	—	C-106

* These products have been designed to pass tests set forth under the UL and CSA standards for equipment used in fans. They conform to the standards only when used in an **ORIX,FAN**.



- A filter or screen can be installed in place of the finger guard.
- The **MU825** does not require a plug cord.